

MAVIC **CROSSRIDE FTS-X 27.5**

ASTM CATEGORY 3 : offroad with jumps less than 61cm

ID360 Shimano steel freewheel body (V3790101)

Maximum tyre pressure: 6.1bar/88PSI with a 25mm tyre - 3.5bar/51PSI with a 64mm tyre

Recommended weight limit : 120kg

For a longer longevity of the wheel, Mavic recommends that the total weight supported by the wheels doesn't exceed 150kg, bike included

Recommended tire sizes: 28 to 64 mm (1.1" to 2.5")

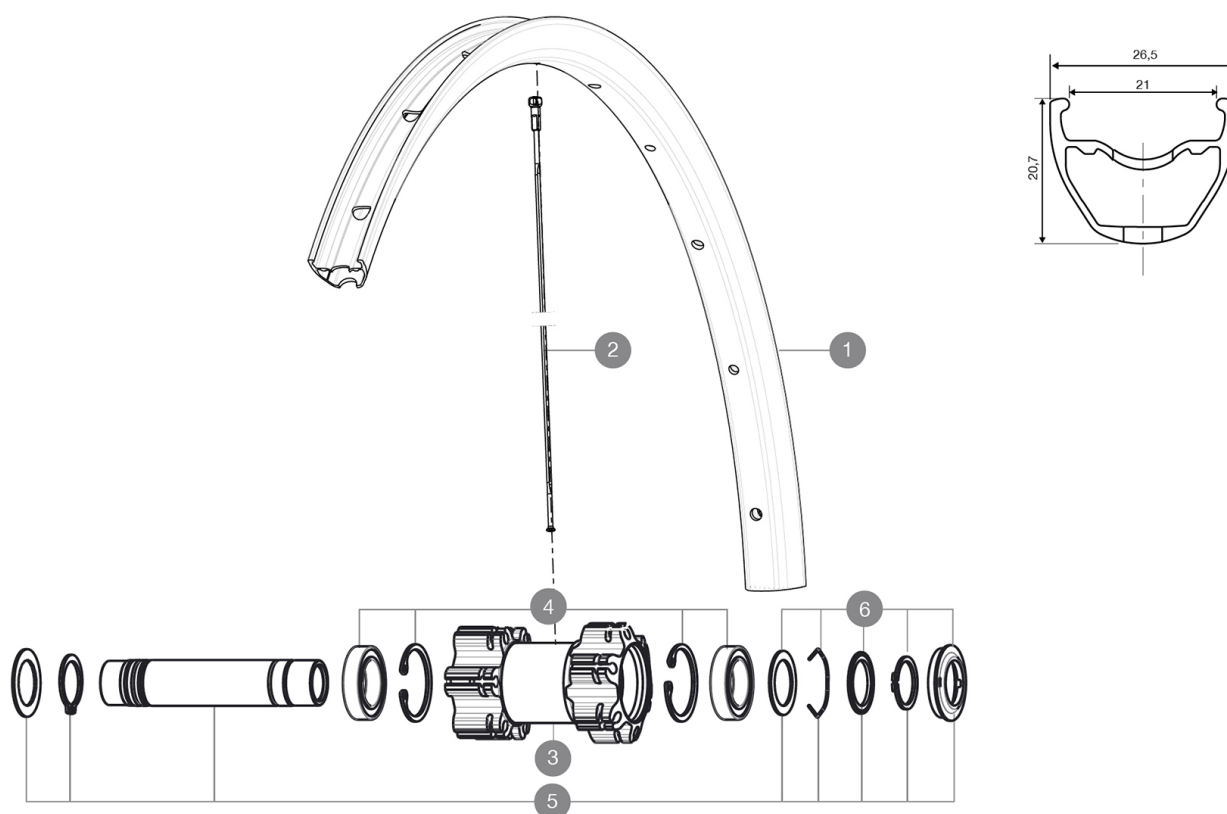
Recommended tyre sizes: 36 mm to 64 mm (1.4" to 2.5")

ETRTO recommended tyre sizes: 35mm to 69mm (1.4" to 2.7")

ID360 N3W freewheel body (V4270101)

REFERENCES WHEELS

F50601 XRIDE FTS-X INT 27,5

**RIMS**

VALVE HOLE (MM): 8,5 WITH POP OFF REDUCER :

1 V2314815 "KIT FRT/RR RIM CROSSRIDE/CROSSRIDE FTSX 27,5""

SPOKES

2 V2381901 KIT 12 FT/NDS XRIDE FTSX 27,5" SPK 279mm

HUB SHELLS

3 N/A HUB BODY
4 99688501 BEARING KIT 9/12/15 D6T HUB 20x32x7 6804
5 V2371101 KIT FRONT QRM AXLE 100mm/BOOST 110mm
5 V2370101 KIT FRONT AXLE 15MM CROSSONE/-RIDE/-ROC - while stock last
6 V2370301 KIT FRONT AUTO ADJUSTING PLAY 15mm AXLE

DELIVERED WITH

User guide	
BR101 quick releases	
Rim tape	
Front QR adapters	
BR101 quick releases	
BR101 quick releases	
BR101 quick releases	
BR101 quick releases	
BR101 quick releases	
BR101 quick releases	
BR101 quick releases	
BR101 quick releases	
BR101 quick releases	
BR101 quick releases	
BR101 quick releases	
BR101 quick releases	
BR101 quick releases	
Valve reducer	
Front QR adapters	
Front QR adapters	
Front QR adapters	
Front QR adapters	
User guide	

COMPATIBILITY

Freewheel: Shimano/Sram	
Freewheel: Shimano/Sram	
Freewheel: Shimano/Sram	
Freewheel: Shimano/Sram	
Front axle: convertible from 15mm thru axle to Quick Release with included adapters	
Front axle: convertible from 15mm thru axle to Quick Release with included adapters	
Front axle: convertible from 15mm thru axle to Quick Release with included adapters	
Front axle: convertible from 15mm thru axle to Quick Release with included adapters	
Front axle: convertible from 15mm thru axle to Quick Release with included adapters	
Front axle: convertible from 15mm thru axle to Quick Release with included adapters	
Front axle: convertible from 15mm thru axle to Quick Release with included adapters	
Front axle: convertible from 15mm thru axle to Quick Release with included adapters	
Rear axle: Quick Release only	
Rear axle: Quick Release only	
Rear axle: Quick Release only	
Rear axle: Quick Release only	
Rear axle: Quick Release only	
ID360 Shimano steel freewheel body (V3790101)	
Rear axle: 12x148 Boost thru axle	
ID360 N3W freewheel body (V4270101)	