

MAVIC **Ksyrium Pro Carbon SL UST**

ASTM CATEGORY 1 : road only

For a longer longevity of the wheel, Mavic recommends that the total weight supported by the wheels don't exceed 120kg, bike included

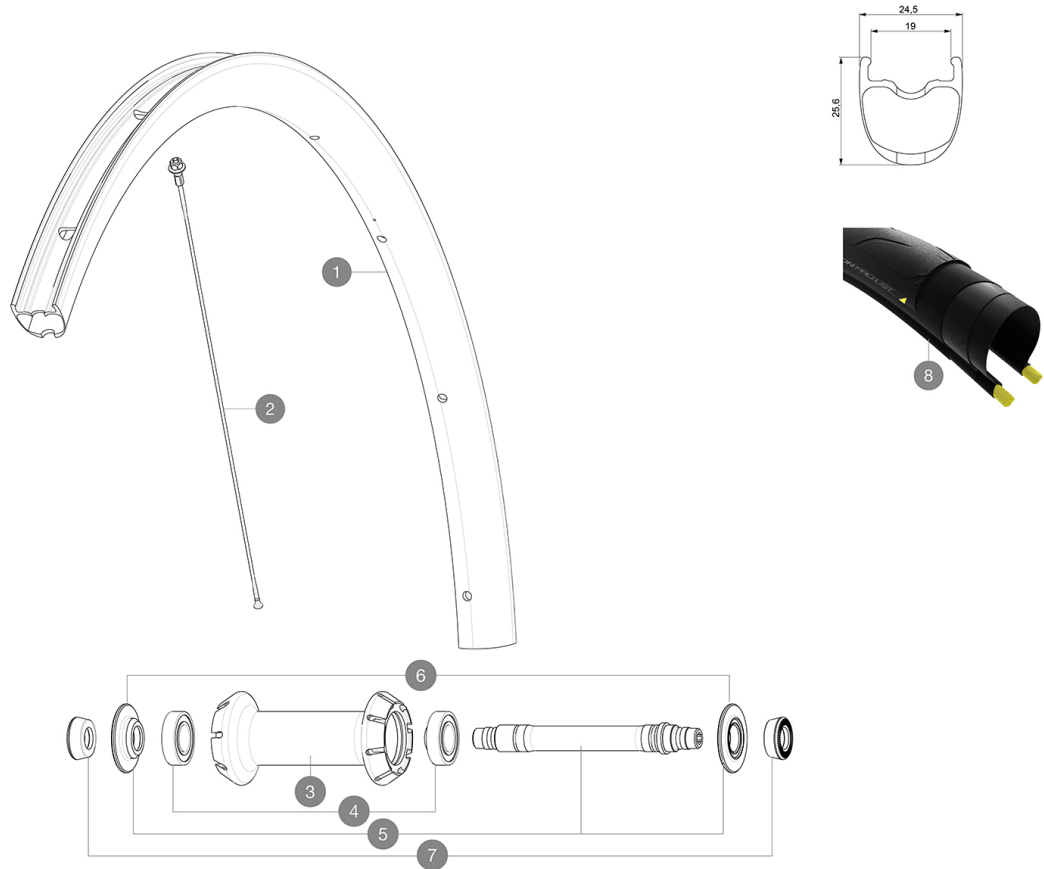
Recommended tyre sizes: 25 to 32 mm

Max. Pressure: see indication on wheel and tyre. If they differ, use the lower of the 2

Max. Pressure tubeless: 25mm 6 bars - 87 PSI, 28mm 5 bars - 70 PSI. Max pressure tubetype: 25mm 7 bars - 102 PSI

REFERENCES WHEELS

F74351 KsyProCarSLUST Ft

**RIMS**

&NBSP;:

1	V2737310	KIT FRONT RIM KSYRIUM PRO CARBON SL UST
1	V2734110	KIT FRONT RIM KSYRIUM PRO CARBON SL UST - while stock last
	V3720101	25mm UST Tape for 19 to 22mm Road Rims

SPOKES

2	V3666001	KIT 1 FRT 285/1 NDS 291 KSYRIUM PRO CARB SL UST AERO STAMPED
2	V3663801	KIT 12 FRT KSYR PRO CARB SL C/UST/T & NDS COSMIC PRO CARB SL

HUB SHELLS

3	N/A	HUB BODY
4	M40078	FRONT HUB BEARINGS 6901 x 2
5	30870001	FRONT AXLE ROAD RIM BRAKING QRM +
6	V2252501	FRONT SETTING NUT & DUST PROTECTOR MY16

TYRES

8	39938825	Yksion Pro UST 700x25
---	----------	-----------------------

ADAPTERS

7	35117301	FT/RR FORK REST R-SYS/CC ULTIMATE > 2013/KSY PRO CARB T
---	----------	---



Ksyrium Pro Carbon SL UST

2018
FRONT

DELIVERED WITH

Mavic tyre sealant (rear wheel) (355 466 01)	
Mavic tyre sealant (rear wheel) (355 466 01)	
Mavic tyre sealant (rear wheel) (355 466 01)	
BR601 Titanium quick releases (323 485 01 frt, 323 486 01 rear)	
BR601 Titanium quick releases (323 485 01 frt, 323 486 01 rear)	
BR601 quick releases (V24 501 01 frt, V24 502 01 rear)	
Tyre sealant syringe	
Tyre sealant syringe	
Tyre sealant syringe	
Carbon brake pads (V24 603 01 Shimano/Sram, V24 604 01 Campagnolo)	
Carbon brake pads (V24 603 01 Shimano/Sram, V24 604 01 Campagnolo)	
Carbon brake pads (V24 603 01 Shimano/Sram, V24 604 01 Campagnolo)	
UST valve and accessories (129 838 01)	
UST valve and accessories (129 838 01)	
UST valve and accessories (129 838 01)	
Tubeless rim tape	
Tubeless rim tape	
Tubeless rim tape	

COMPATIBILITY

Freewheel: Shimano/Sram, convertible to Campagnolo and XD-R with optional driver bodies	
Freewheel: Shimano/Sram, convertible to Campagnolo and XD-R with optional driver bodies	
Freewheel: Shimano/Sram, convertible to Campagnolo and XD-R with optional driver bodies	
Front axle: Quick Release only	
Front axle: Quick Release only	
Front axle: Quick Release only	
Rear axle: Quick Release only	
Rear axle: Quick Release only	
Rear axle: Quick Release only	