

MAVIC **Aksium Elite UST Disc OE**

ASTM CATEGORY 2 : road and offroad with jumps less than 15cm

For a longer longevity of the wheel, Mavic recommends that the total weight supported by the wheels don't exceed 120kg, bike included

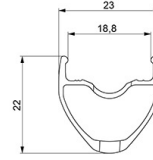
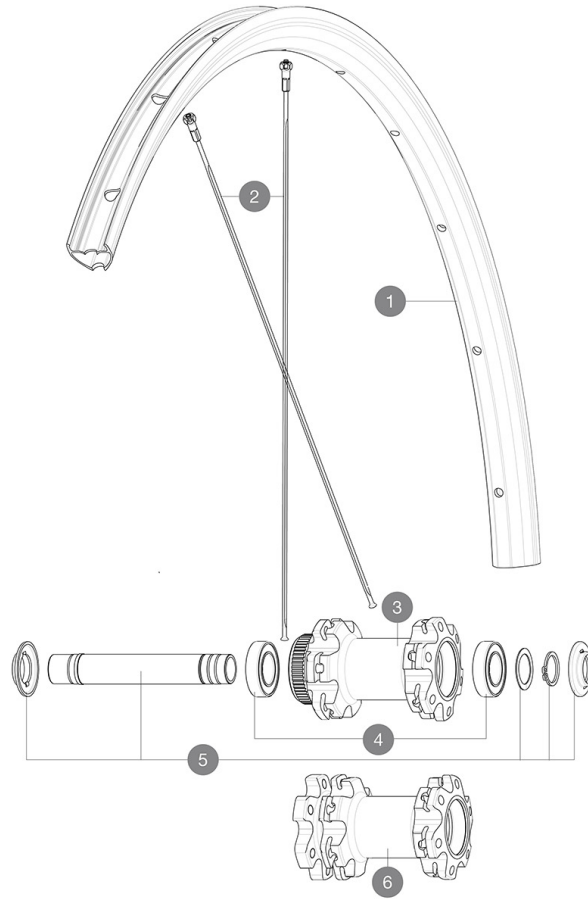
Recommended tyre sizes: 25 to 32 mm

Max. Pressure: 23mm 8.7 bars - 125 psi, 25/28mm 7.7 bars - 110 psi

REFERENCES WHEELS

F82261 AksEliteUSTD6B12x100Ft

F82301 AksEliteUSTDcl12x100Ft SV

**RIMS**

&NBSP;:

1	V2736115 V2620101	KIT FRONT/REAR RIM AKSIUM ELITE UST Disc SUP UST RIM TAPE 25mm (for 21-24mm wide rim)
---	----------------------	--

SPOKES

2	V3664501	KIT 12 FRt/NDS AKSIUM ELITE UST Disc/KSYRIUM UST Disc FLAT S
---	----------	--

HUB SHELLS

4	M40129	KIT 2 BEARINGS 6902 15x28x7
5	V2373301	KIT QRM AUTO FRONT AXLE 12mm > 2019


ADAPTERS

V2680301	"Kit Ft Road Adapter 12 >> 9mm"
----------	---------------------------------

MAVIC Aksium Elite UST Disc OE

2019
FRONT

DELIVERED WITH

Mavic tyre sealant (rear wheel) (355 466 01)	
Tyre sealant syringe	
Front QR adapters (996 941 01 for MTB or B41 043 01 for road)	
Rear QR adapters for Instant Drive 360 (B49 894 01)	
UST valve and accessories (129 838 01)	
Tubeless rim tape	
User guide	

COMPATIBILITY

Freewheel: Shimano/Sram, convertible to Campagnolo and XD-R with optional driver bodies	
Front axle: 12x100 thru axle, easily convertible to quick release with included adapters. Not compatible with 15mm through axles.	
Rear axle: 12mm thru axle, convertible to Quick Release with included adapters	

Specifications

RIMS

- **Material** : S6000 Aluminum
- **Height** : 22 mm
- **Joint** : sleeved
- **Drilling** : traditional

Disc brake specific profile

- **Valve hole diameter** : 6.5 mm
- **Tyre** : UST Tubeless and tubetype
- **Internal width** : 19 mm
- **ETRTO size** : 622x19TC Road

Use with Mavic Tubeless Tape

SPOKES

- **Material** : steel
- **Shape** : straight pull, flat, double butted
- **Nipples** : steel, ABS
- **Count** : 24 front and rear
- **Lacing** : front and rear crossed 2

WHEEL HUB

- **Front and rear bodies** : aluminum
 - **Axle material** : aluminum
- Auto adjust sealed cartridge bearings (QR Auto), front and rear
- **Freewheel** : Instant Drive 360 steel
 - **Front** : Quick release and 12x100 through axle compatible
 - **Rear** : Quick Release, 12x142 and 12x135 compatible

VERSIONS

- **Disc standard** : 6 Bolts or Center Lock(R)

WHEEL WEIGHTS

825