

MAVIC Crossmax Light 29

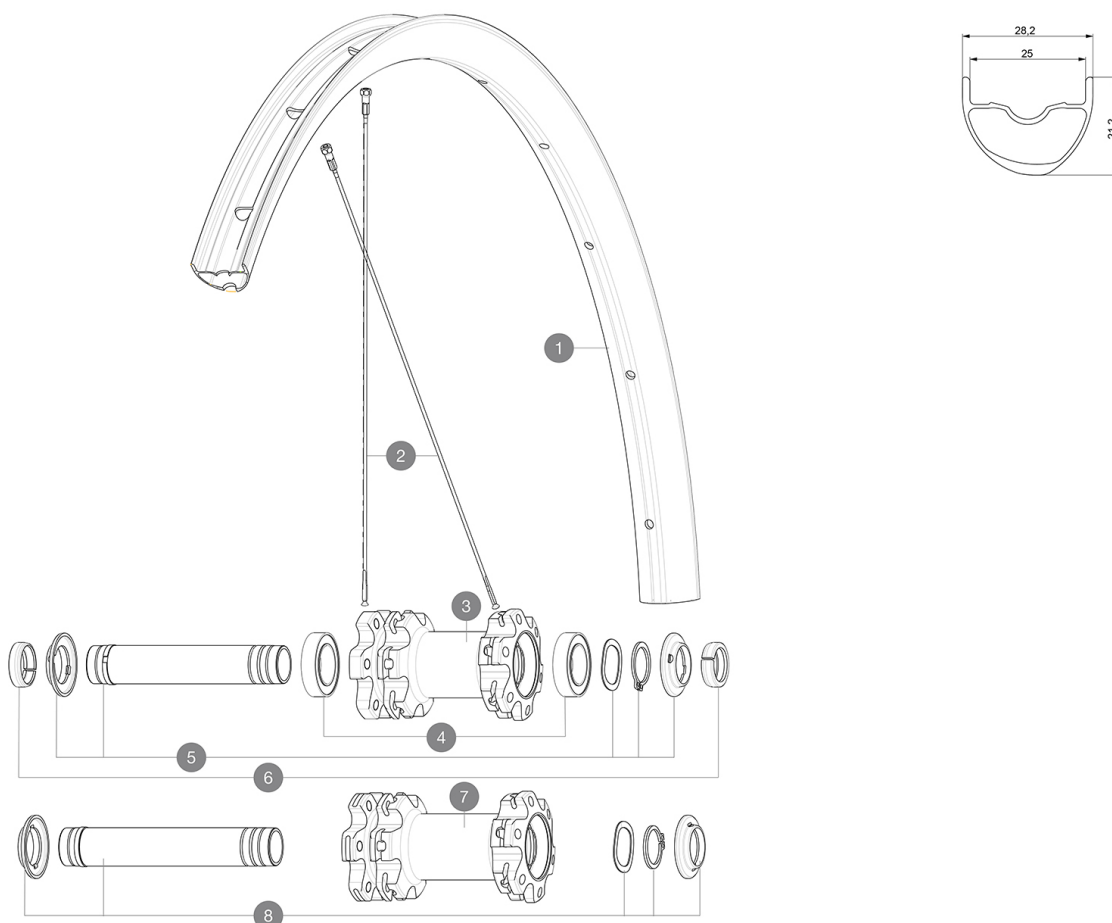
1
2019
FRONT

ASTM CATEGORY 3 : CROSS COUNTRY AND TRAIL RIDING

For a longer longevity of the wheel, Mavic recommends that the total weight supported by the wheels don't exceed 120kg, bike included

Recommended tyre sizes: 46mm to 64mm (1.8" to 2.5")

REFERENCES WHEELS



RIMS



&NBSP;:

| | | |
|---|----------|--|
| 1 | V3761215 | KIT FRt/REAR RIM CROSSMAX LIGHT 19 29" |
| | V2700101 | UST Tape 28mm for 25 to 27mm wide rims |

SPOKES

| | | |
|---|----------|--|
| 2 | V2385401 | KIT 12 FT/NDS CROSSMAX LIGHT 29" SPK 296mm |
|---|----------|--|

HUB SHELLS

| | | |
|---|----------|--|
| 3 | N/A | HUB BODY |
| 4 | V2500901 | KIT BEARINGS 18x30x7 + WAVED WASHER + CLIP |
| 5 | V2372301 | KIT 100mm AXLE QRM AUTO MTB > 2019 |
| 7 | N/A | HUB BODY |
| 8 | V2372401 | KIT 110mm AXLE QRM AUTO MTB > 2019 |

OPTIONS

| | |
|----------|---|
| V2374401 | TORQUE CAPS 15*31 Adapter MTB QRM Auto > 2019 Frt HUB |
|----------|---|

ADAPTERS

| | | |
|---|----------|--------------------------------------|
| 6 | V2372501 | 15mm MTB Axle Cap QRM Auto From 2019 |
| | 99694101 | ADAPTER Ft 15 to 9mm QR |

MAVIC Crossmax Light 29

DELIVERED WITH

| | |
|-------------------------------------|--|
| Front QR adapters (non-boost wheel) | |
| Rear QR adapters (non-boost wheel) | |
| Tubeless rim tape | |
| User guide | |

COMPATIBILITY

| | |
|---|--|
| Freewheel: Shimano/Sram or XD | |
| Front axle: convertible from 15mm thru axle to Quick Release with adapters (delivered with non-boost wheel) | |
| Rear axle: 12mm thru axle, convertible to Quick Release with adapters (delivered with non-boost wheel) | |
| Freewheel: Shimano Micro Spline | |

Specifications

RIMS

- **Material** : S6000 Aluminum
- **Joint** : welded
- **Drilling** : traditional
- **Valve hole diameter** : 6.5 mm
- **Tyre** : UST Tubeless and tubetype
- **ETRTO size 27.5"** : 584x25TSS
- **ETRTO size 29"** : 622x25TSS

Hookless profile

Use with Mavic Tubeless Tape

SPOKES

- **Material** : steel
- **Shape** : straight pull, round
- **Count** : 24 front and rear
- **Lacing** : front and rear crossed 2

WHEEL HUB

- **Front and rear bodies** : aluminum
 - **Axle material** : aluminum
- Auto adjust sealed cartridge bearings (QR Auto), front and rear
- **Freewheel** : Instant Drive 360 steel

VERSIONS

- **Disc standard** : 6 Bolts only
- **Hub width** : Boost (front 110, rear 148) or Non-Boost (front 100, rear 135/142)
- **Freewheel** : Shimano/Sram or XD

WHEEL WEIGHTS