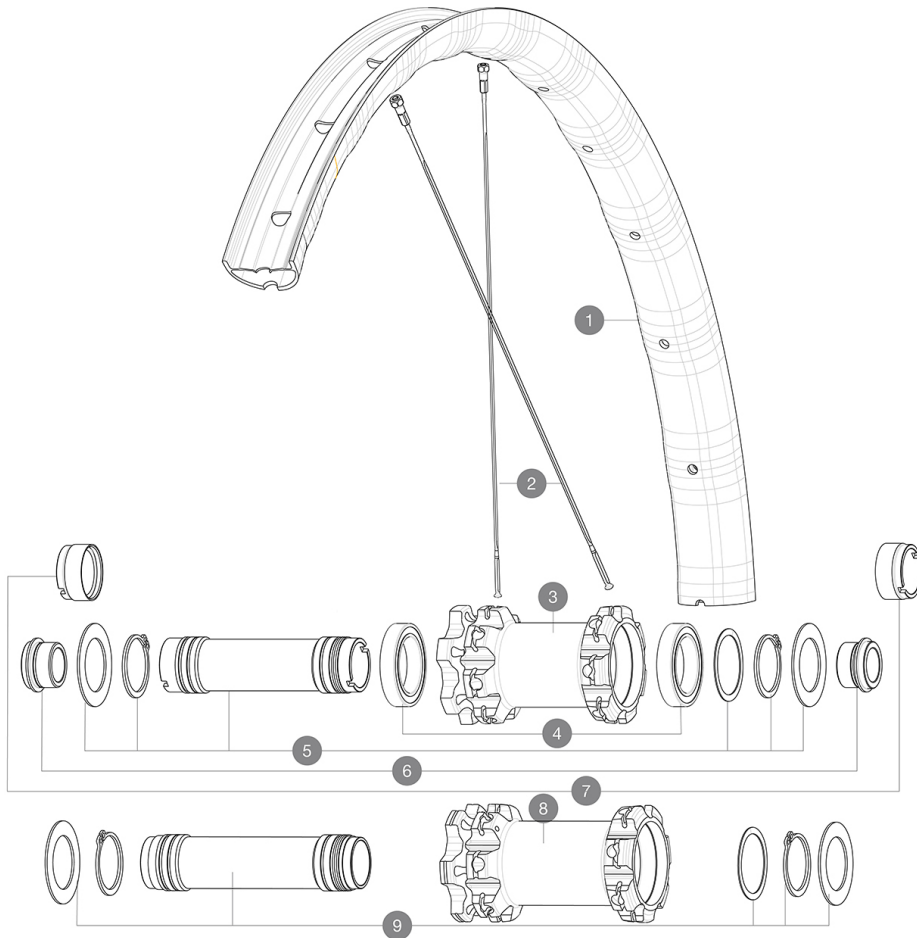


ASTM CATEGORY 4 : ENDURO AND TRAIL RIDING

For a longer longevity of the wheel, Mavic recommends that the total weight supported by the wheels don't exceed 120kg, bike included
Recommended tyre sizes: 60mm to 76mm (2.35" to 3.0")

REFERENCES WHEELS

F82751	Deemax Elite 27,5 Ft Bst Black	F82741	Deemax Elite 27,5 Ft
R36511	Deemax Elite 27,5 Rr Bst MS		



RIMS



&NBSP;:

1	V3762810	KIT FRONT RIM DEEMAX ELITE 27,5"
	V3750101	35mm UST Green Tape for 30mm wide rims

SPOKES

2	V3820701	KIT 14 FRONT DEEMAX ELITE/E-XA ELITE 19 27,5" FLAT BUTTED S
---	----------	-------------------------------------------------------------

HUB SHELLS

3	N/A	HUB BODY
4	M40179	FRONT BEARING 25x37x7 20mm AXLE
5	V2373801	KIT 20x110mm AXLE QRM AUTO MTB > 2019
8	N/A	HUB BODY
9	V2373701	KIT 20x110mm BOOST AXLE QRM AUTO MTB > 2019



OPTIONS

V2650401	TORQUECAP20*31 FT QRM AUTO MTB
----------	--------------------------------

ADAPTERS

6	12982801	ADAPTER Ft 20 to 15mm
7	12982901	ADAPTER Ft 20x110mm
	12982701	ADAPTER Ft 20 to 9mm QR incl.

DELIVERED WITH

UST valve and accessories (129 838 01)	
UST valve and accessories (129 838 01)	
Specific disc bolts (308 719 01)	
Specific disc bolts (308 719 01)	
Tubeless rim tape	
Tubeless rim tape	

COMPATIBILITY

Freewheel: Shimano/Sram or XD	
Freewheel: Shimano/Sram or XD	
Front axle: 15mm, convertible to 20mm thru axle with included adapters	
Front axle: 15mm, convertible to 20mm thru axle with included adapters	
Rear axle: 12mm thru axle, convertible to Quick Release with optional adapters	
Rear axle: 12mm thru axle, convertible to Quick Release with optional adapters	
Freewheel: Shimano Micro Spline	
Freewheel: Shimano Micro Spline	

Specifications

RIMS

- **Material** : Mxstal
- **Material** : Mxstal
- **Joint** : SUP
- **Joint** : SUP
- **Drilling** : traditional
- **Drilling** : traditional
- **Weight reduction** : ISM 4D
- **Weight reduction** : ISM 4D
- **Valve hole diameter** : 6.5 mm
- **Valve hole diameter** : 6.5 mm
- **Tyre** : UST Tubeless and tubetype
- **Tyre** : UST Tubeless and tubetype
- **Internal width** : 30 mm
- **Internal width** : 30 mm

Use with Mavic Tubeless Tape

Use with Mavic Tubeless Tape

- **ETRTO size 27.5"** : 584x30TSS
- **ETRTO size 27.5"** : 584x30TSS
- **ETRTO size 29"** : 622x30TSS
- **ETRTO size 29"** : 622x30TSS

SPOKES

- **Material** : steel
- **Material** : steel
- **Shape** : straight pull, flat, double butted
- **Shape** : straight pull, flat, double butted
- **Count** : 28 front and rear
- **Count** : 28 front and rear
- **Lacing** : front and rear crossed 3
- **Lacing** : front and rear crossed 3

WHEEL HUB

- **Front and rear bodies** : aluminum
 - **Front and rear bodies** : aluminum
 - **Axle material** : aluminum
 - **Axle material** : aluminum
- Auto adjust sealed cartridge bearings (QRM Auto), front and rear
- Auto adjust sealed cartridge bearings (QRM Auto), front and rear
- **Freewheel** : Instant Drive 360
 - **Freewheel** : Instant Drive 360

VERSIONS

- **Color** : Black only
 - **Disc standard** : 6 Bolts only
 - **Disc standard** : 6 Bolts only
 - **Hub width** : Boost (front 110, rear 148) or Non-Boost (front 100, rear 135/142)
 - **Hub width** : Boost (front 110, rear 148) or Non-Boost (front 100, rear 135/142)
 - **Freewheel** : Shimano/Sram or XD
- Freewheel; SRAM XD, Shimano HG, Shimano Micro-Spline

WHEEL WEIGHTS

- Weight Front 27.5": 892
- Weight Front 29": 938