

# MAVIC E-XA30 Elite 29

1  
2019  
FRONT

## ASTM CATEGORY 4 : ENDURO AND TRAIL RIDING

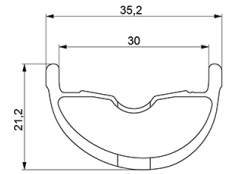
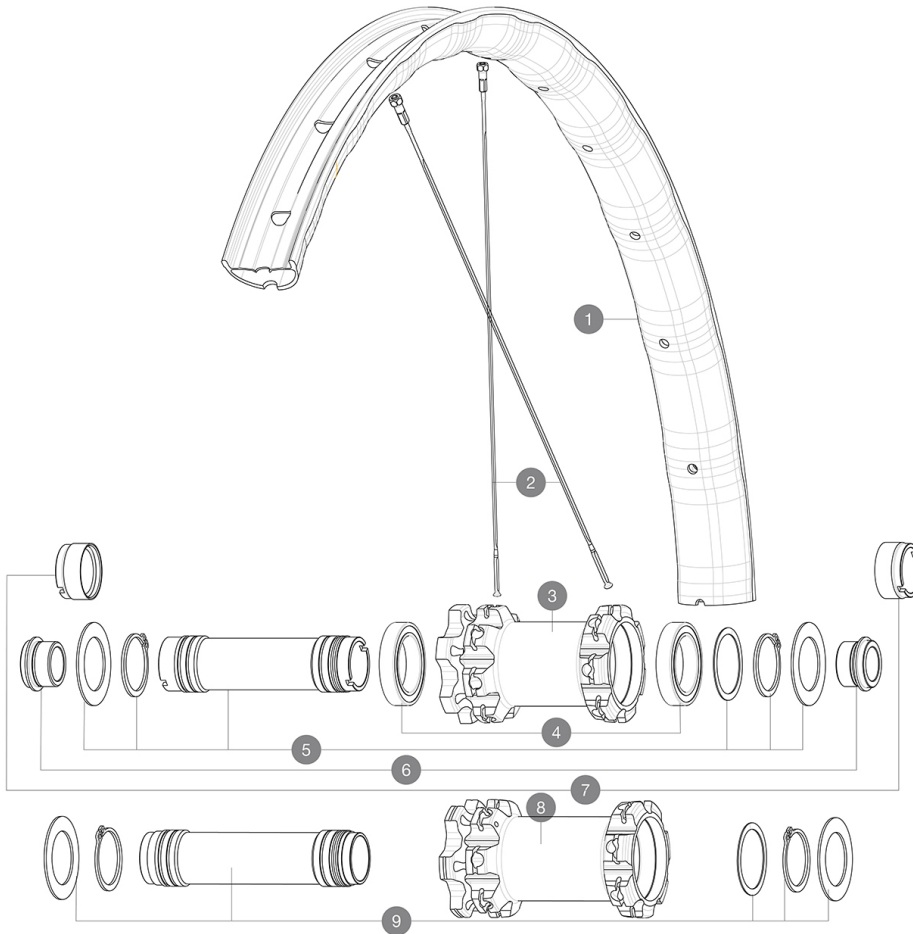
For a longer longevity of the wheel, Mavic recommends that the total weight supported by the wheels don't exceed 150kg, bike included

Recommended tyre sizes: 60mm to 76mm (2.35" to 3.0")

## REFERENCES WHEELS

F84141 E-Xa30 Elite 29 Ft

F84151 E-XA30 Elite 29 Ft Boost



## RIMS



&NBSP;:

1	V3763210	KIT FRONT RIM E-XA ELITE 19 29"
	V3750101	35mm UST Green Tape for 30mm wide rims

## SPOKES

2	V3821201	KIT 14 FRONT DEEMAX ELITE/E-XA ELITE 19 29" FLAT BUTTED SPO
---	----------	---

## HUB SHELLS

3	N/A	HUB BODY
4	M40179	FRONT BEARING 25x37x7 20mm AXLE
5	V2373801	KIT 20x110mm AXLE QRM AUTO MTB > 2019
8	N/A	HUB BODY
9	V2373701	KIT 20x110mm BOOST AXLE QRM AUTO MTB > 2019


## ADAPTERS

6	12982801	ADAPTER Ft 20 to 15mm
7	12982901	ADAPTER Ft 20x110mm
	12982701	ADAPTER Ft 20 to 9mm QR incl.

# MAVIC E-XA30 Elite 29

2019  
FRONT

## DELIVERED WITH

Computer magnet (105 416 01)	
UST valve and accessories (129 838 01)	
Specific disc bolts (308 719 01)	
Tubeless rim tape	

## COMPATIBILITY

Freewheel: Shimano/Sram or XD	
Front axle: 15mm, convertible to 20mm thru axle with included adapters	
Freewheel: Shimano Micro Spline	

## Specifications

### RIMS

- **Material** : Mactal
  - **Joint** : SUP
  - **Drilling** : traditional
  - **Weight reduction** : ISM 4D
- E-Bike specific rim profile
- **Valve hole diameter** : 6.5 mm
  - **Tyre** : UST Tubeless and tubetype
  - **Internal width** : 30 mm
- Use with Mavic Tubeless Tape
- **ETRTO size 27.5"** : 584x30TSS
  - **ETRTO size 29"** : 622x30TSS

### SPOKES

- **Material** : steel
- **Shape** : straight pull, flat, double butted
- **Count** : 28 front and rear
- **Lacing** : front and rear crossed 3

### WHEEL HUB

- **Front and rear bodies** : aluminum
  - **Axle material** : aluminum
- Auto adjust sealed cartridge bearings (QRM Auto), front and rear
- **Freewheel** : Instant Drive 360 steel

### VERSIONS

- **Disc standard** : 6 Bolts only
- **Hub width** : Boost only (front 110, rear 148)
- **Freewheel** : Shimano/Sram or XD

### WHEEL WEIGHTS