

MAVIC ALLROAD 650B DISC

ASTM CATEGORY 2 : road and offroad with jumps less than 15cm

For a longer longevity of the wheel, Mavic recommends that the total weight supported by the wheels doesn't exceed 120kg, bike included

Maximum tyre pressure: 4.1bar/59PSI with a 28mm tyre - 2.45bar/36PSI with a 64mm tyre

Non-Boost : 12x135 rear axle adapters (V2510901)

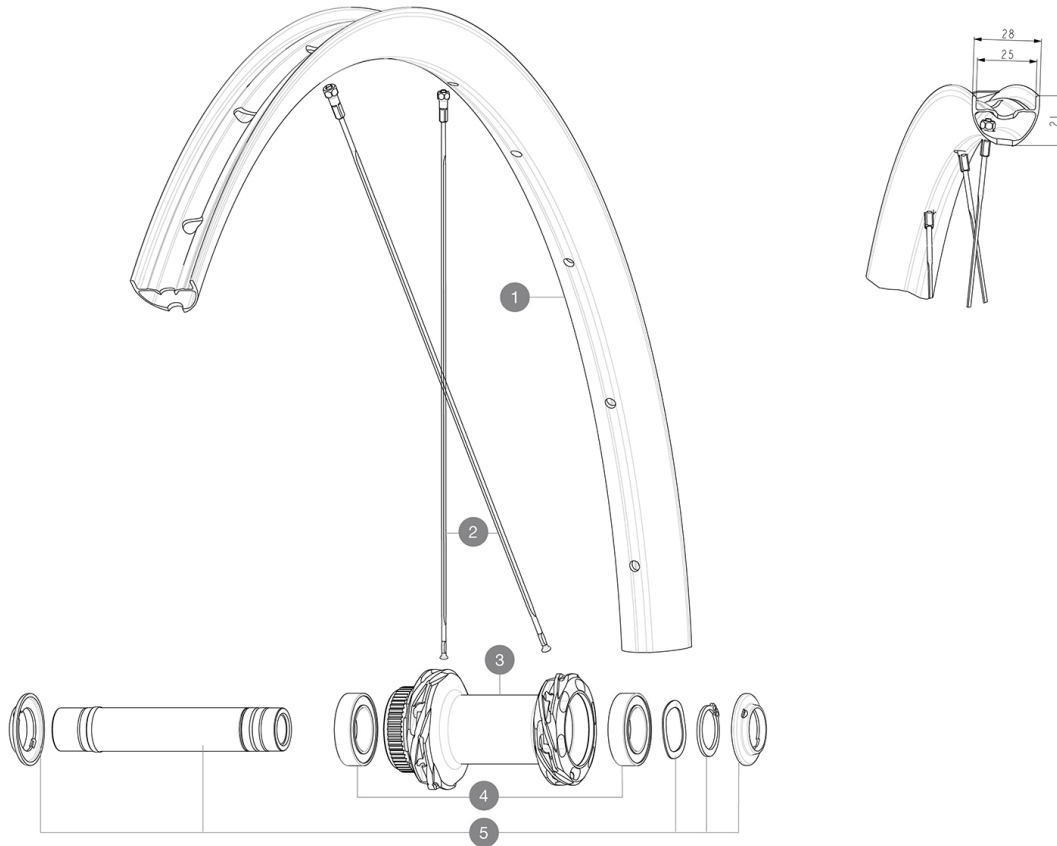
Recommended tire sizes: 28 to 64 mm (1.1" to 2.5")

Max. Pressure: see indication on wheel and tire. If they differ, use the lowest of the 2

Boost : Torque Caps for Center Lock hub (V2374401)

REFERENCES WHEELS

| | | | |
|---------|----------------------|--------|--------------------------|
| F000040 | ALLROADINT650B12x100 | F92811 | ALLR 650B CL 650B 12X100 |
|---------|----------------------|--------|--------------------------|

**RIMS**

&NBSP;:

| | | |
|---|----------|--|
| 1 | V4095115 | Kit Front/Rear rim Allroad 650B |
| | V2700101 | UST Tape 28mm for 25 to 27mm wide rims |

SPOKES

| | | |
|---|----------|--|
| 2 | V4165001 | Kit 12 Front/Rear Allroad 650B flat spoke 277 + nipple black |
|---|----------|--|

HUB SHELLS

| | | |
|---|----------|---|
| 3 | N/A | HUB BODY |
| 4 | V2500901 | KIT BEARINGS 18x30x7 + WAVED WASHER + CLIP |
| 5 | V2374001 | KIT 12x100mm FRONT AXLE DCL QRM AUTO ALLROAD > 2019 |

OPTIONS

| | |
|----------|--|
| V2373501 | QRM Auto front axle 15mm for DCL Allroad wheels > 2019 |
|----------|--|

ADAPTERS

| | |
|----------|--------------------------------------|
| V2680301 | "Kit Ft Road Adapter 12 >> 9mm" |
| V2372501 | 15mm MTB Axle Cap QRM Auto From 2019 |

MAVIC ALLROAD 650B DISC

DELIVERED WITH

| | |
|--|--|
| User guide | |
| UST valve and accessories (129 838 01) | |
| UST valve and accessories (129 838 01) | |
| Pre-installed tubeless rim tape | |
| Pre-installed tubeless rim tape | |
| User guide | |
| User guide | |
| Pre-installed tubeless rim tape | |
| UST valve and accessories (129 838 01) | |
| 12 to 9mm rear adapter for quick release (V2510801) | |

COMPATIBILITY

| | |
|---|--|
| Freewheel: Shimano/Sram, convertible to Campagnolo ED11, N3W and XD-R with optional driver bodies | |
| Front axle: 12mm thru axle, easily convertible to quick release with optional adapters. Convertible to 15mm with complete axle replacement | |
| Freewheel body: convertible SRAM XD road (kit V2580101 sold separately) | |
| Freewheel body: convertible SRAM XD road (kit V2580101 sold separately) | |
| Freewheel body: convertible SHIMANO HG light road (kit V3850101 sold separately) | |
| Freewheel body: convertible SHIMANO HG light road (kit V3850101 sold separately) | |
| Freewheel body: convertible SHIMANO MS (kit V3990101 sold separately) | |
| Freewheel body: convertible SHIMANO MS (kit V3990101 sold separately) | |
| Front axle: 12mm thru axle, easily convertible to quick release with optional adapters. Convertible to 15mm with complete axle replacement | |
| Front axle: 12mm thru axle, easily convertible to quick release with optional adapters. Convertible to 15mm with complete axle replacement | |
| Freewheel body: convertible CAMPAGNOLO N3W (kit V4270101 sold separately) | |
| Freewheel body: convertible CAMPAGNOLO N3W (kit V4270101 sold separately) | |
| ID360 Shimano Micro Spline alloy freewheel body (V3990101) | |
| ID360 Sram XD freewheel body (V3740101) | |
| Rear axle: for fixing nuts only (included), M9x1 thread | |
| ID360 Shimano Micro Spline alloy freewheel body (V3990101) | |
| ID360 Sram XD freewheel body (V3740101) | |
| Instant Drive 360 freewheel technology The new Instant Drive 360 freewheel system is super light and fast to engage with only 9Å°. A large contactless rubber seal provides low friction | |