

MAVIC COSMIC SL 40 BG

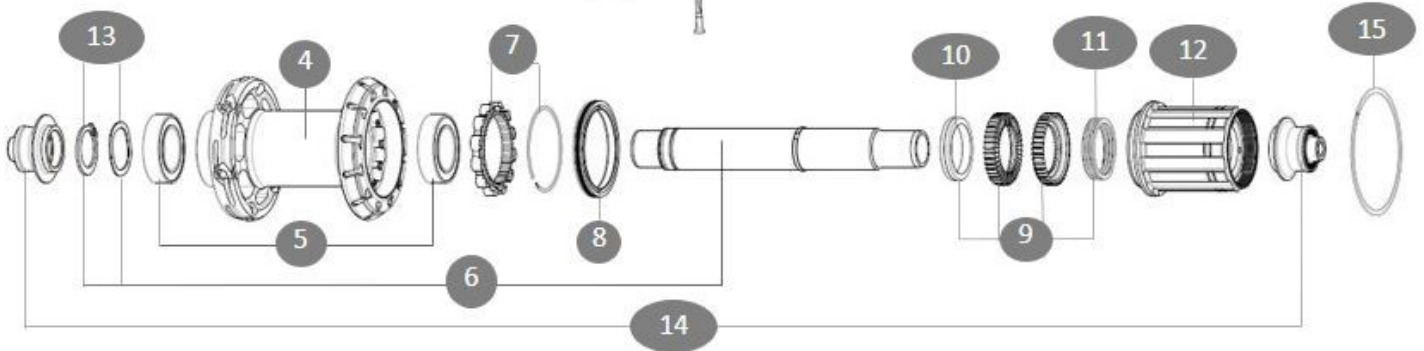
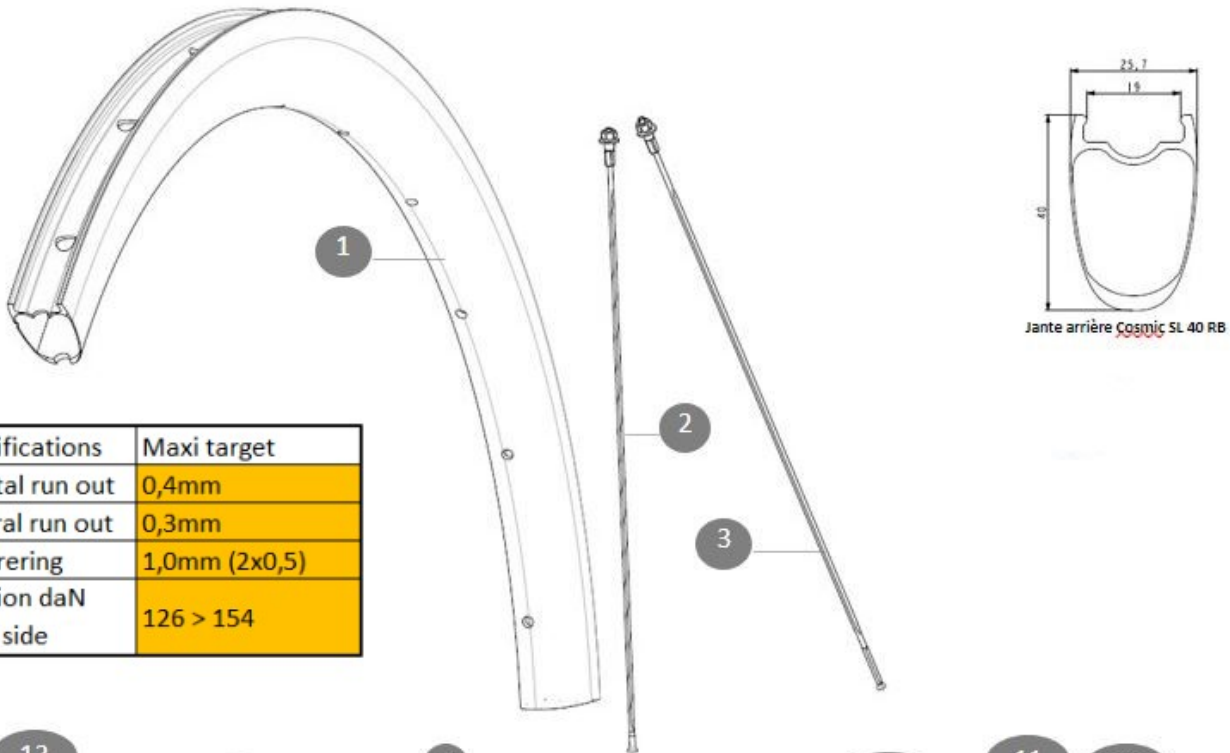
2024
REAR

ASTM CATEGORY 1 : road only

For a longer longevity of the wheel, Mavic recommends that the total weight supported by the wheels doesn't exceed 120kg, bike included

Maximum tyre size: width 62mm - pressure max. 3.8Bar/55PSI

REFERENCES WHEELS



RIMS



&NBSP;:

V3720101	25mm UST Tape for 19 to 22mm Road Rims
V4092713	Kit Rear rim Cosmic SL 40 RB

SPOKES

V4162801	Kit 12 rear NDS Cosmic SL 40 RB butted stainless spoke 280mm
V4161601	Kit 12 rear DS butted stainless spoke 260mm Com Pro Carbon U

HUB SHELLS

4	N/A	HUB BODY
5	V2560401	KIT 2 BEARINGS 17x28x7 + WAVED WASHER + CLIP
6	V2252801	KIT ID360 UB REAR AXLE W/CLIP/WAVED WASHER
7	V2252701	KIT ID360 INSERT SHAPED EAR LOBE > 2017
8	V2251601	KIT ID360 SEAL + GREASE
9	V2251701	KIT ID360 2 RATCHETS + SPRING + GREASE
10	V2500501	KIT ID360 3 PADS NOISE REDUCING
11	V2251801	KIT 3 ID360 ROAD SPRINGS
12	V3430101	HG11 Freewheel Body ID360

13	V2560501	KIT ADJUST. SYSTEM QRM AUTO ID360 for 17x28x7 bearing
15	V2252201	KIT 2 REAR HUB RETENTION RINGS 48mm

ADAPTERS

14	V2253101	KIT REAR AXLE ADAPTOR QUICK RELEASE ID360
----	----------	---

DELIVERED WITH

Mavic tyre sealant (rear wheel) (355 466 01)	
Carbon brake pads (V24 603 01 Shimano/Sram, V24 604 01 Campagnolo)	
UST valve and accessories (129 838 01)	
Pre-installed tubeless rim tape	
User guide	

COMPATIBILITY

Freewheel body: convertible SRAM XD road (kit V2580101 sold separately)	
Freewheel body: convertible SHIMANO HG light road (kit V3850101 sold separately)	
Freewheel body: convertible SHIMANO MS (kit V3990101 sold separately)	
Freewheel body: convertible CAMPAGNOLO ED (kit V3440101 sold separately)	
Freewheel body: convertible CAMPAGNOLO N3W (kit V4270101 sold separately)	
FTS-L Shimano / Sram freewheel body ([30871101] - Delivered on the wheel)	
Instant Drive 360 freewheel technology The new Instant Drive 360 freewheel system is super light and fast to engage with only 9°. A large contactless rubber seal provides low friction, while a wide array of end caps makes it super versatile.	

Specifications
RIMS

- **Material** : 100% carbon fiber
- **Height** : 40 mm
- **Internal width** : 19 mm
- **Drilling** : traditional (front 18 holes and rear 24 holes)
- **Brake track** : UB Control
- **ETRTO size** : 622x19TC
- **Tire** : clincher

SPOKES

- **Material** : steel
- **Lacing** : radial front and rear non-drive side, crossed 2 rear drive side
- **Lacing** : front and rear crossed 3, contactless

WHEEL HUB

- **Body** : aluminum
 - **Body design** : INFINITY
 - **Axle material** : aluminum
- Hub available for Center Lock brake rotors only
- **Axles** : Front 15x110 (Boost) or 15x100 ; Rear 12x148 (Boost) or 12x142
 - **Freewheel** : Shimano HG road
 - **Freewheel** : FTS-L steel

WHEEL WEIGHTS