

# MAVIC Ksyrium Pro Exalith SL

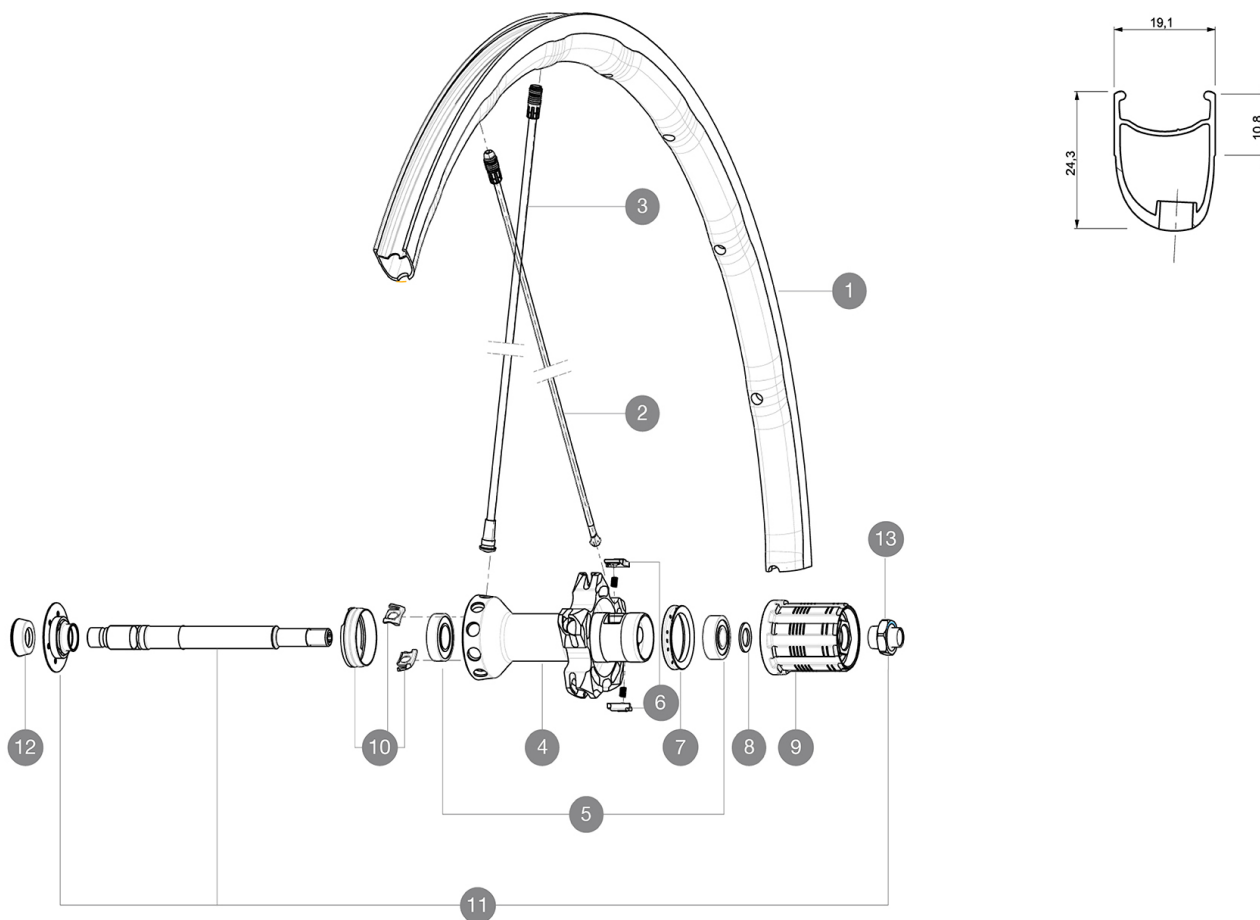
1  
2016  
REAR

ASTM CATEGORY 1 : road only  
Recommended weight limit : 120kg  
Recommended tyre sizes: 23 to 32 mm  
Max. Pressure: 25mm 7.7 bars - 110 PSI

## REFERENCES WHEELS

R58301 KsyProExalithSLRr

R98421 KsyProExalithSLRr Limited



## RIMS



VALVE HOLE  $\bar{A}$  (MM): 6.5 :

|   |          |  |
|---|----------|--|
| 1 | V2405213 | KIT REAR RIM KSYRIUM PRO EXALITH SL LTD      |
| 1 | V2290213 | KIT REAR RIM KSYRIUM PRO SL EXALITH (SLR 15) |

## SPOKES

|    |          |   |
|----|----------|---|
| 2  | V2270401 | KIT 10 DS R-SYS SLR/KSY SLR ALU SPK 293,5mm                 |
| 3  | V2270301 | KIT 10 NDS R-SYS/KSY SLR CARB SPK 282,7mm -while stock last |
| 3  | V4161301 | Kit 10 front/rear Rsys spokes 282,7mm from 2020             |
| 10 | 99693801 | 2 SILVER TRACOMP RINGS + CLIPS                              |

## HUB SHELLS

|    |          |   |
|----|----------|---|
| 4  | N/A      | HUB BODY                                      |
| 5  | 33000001 | REAR HUB B9+6901 BEARINGS 2013                |
| 6  | M40578   | FTSL PAWLS KIT (ROAD WHEELS)                  |
| 7  | 99500001 | FTSL/FTSX FREEHUB BODY SEAL                   |
| 8  | 30872801 | SET OF 3 INTERNAL SILVER SPACERS 9mm FTS-L    |
| 9  | 30871201 | FTS-L ROAD FREEWHEEL BODY ED11 8/9 compatible |
| 9  | 30871101 | FTS-L ROAD FREEWHEEL BODY HG11 8/9 compatible |
| 11 | V2250201 | KIT REAR AXLE KSYRIUM SLR/K125/R-SYS/ELITE 16 |
| 13 | V2373101 | KIT NUT FOR ROAD ALLOY THROUGH AXLE 9mm       |

## ADAPTERS

|    |          |   |
|----|----------|---|
| 12 | 35117301 | FT/RR FORK REST R-SYS/CC ULTIMATE > 2013/KSY PRO CARB T |
|----|----------|---|

# MAVIC Ksyrium Pro Exalith SL

## DELIVERED WITH

|                                 |  |
|---------------------------------|--|
| BR601 quick releases            |  |
| BR601 quick releases            |  |
| Exalith brake pads              |  |
| Exalith brake pads              |  |
| Multifunction adjustment wrench |  |
| Tracomp ring tool               |  |
| User guide                      |  |
| Multifunction adjustment wrench |  |
| Tracomp ring tool               |  |
| User guide                      |  |

## COMPATIBILITY

|  |  |
|--|--|
| Freewheel: Shimano/Sram, convertible to Campagnolo with optional driver body |  |
| Front axle: Quick Release only   |  |
| Rear axle: Quick Release only  |  |

## Specifications

### RIMS

- **Material** : Mactal
- **Height** : front 24mm, rear 26 asymmetrical
- **Joint** : SUP
- **Drilling** : Fore
- **Brake track** : Exalith 2
- **Weight reduction** : ISM 4D
- **Valve hole diameter** : 6.5 mm
- **Tyre** : clincher
- **Material** : Mactal
- **Height** : front 24mm, rear 26 asymmetrical
- **ETRTO size** : 622x15C
- **Recommended tyre sizes** : 23 to 32 mm
- **Joint** : SUP
- **Drilling** : Fore
- **Brake track** : Exalith 2
- **Weight reduction** : ISM 4D
- **Valve hole diameter** : 6.5 mm
- **Tyre** : clincher
- **Internal width** : 15mm
- **ETRTO size** : 622x15C

### SPOKES

- **Material** : front and rear drive side Zicral, Rear non drive side carbon fiber
- **Shape** : front and rear drive side straight pull bladed double butted, rear non drive side Tracomp
- **Nipples** : Fore integrated aluminum
- **Material** : front and rear drive side Zicral, Rear non drive side carbon fiber
- **Count** : front 18, rear 20
- **Lacing** : radial front and rear non-drive side, crossed 2 rear drive side

### WHEEL HUB

- **Front body** : carbon with aluminum flanges
- **Rear body** : aluminum
- **Rear body** : aluminum
- **Axle material** : aluminum
- Adjustable sealed cartridge bearings
- **Front body** : carbon with aluminum flanges
- **Freewheel** : FTS-L steel
- **Axle material** : aluminum
- Adjustable sealed cartridge bearings
- **Freewheel** : FTS-L steel

### VERSIONS

- **Color** : Black only

### WHEEL WEIGHTS

Wheel weight 750