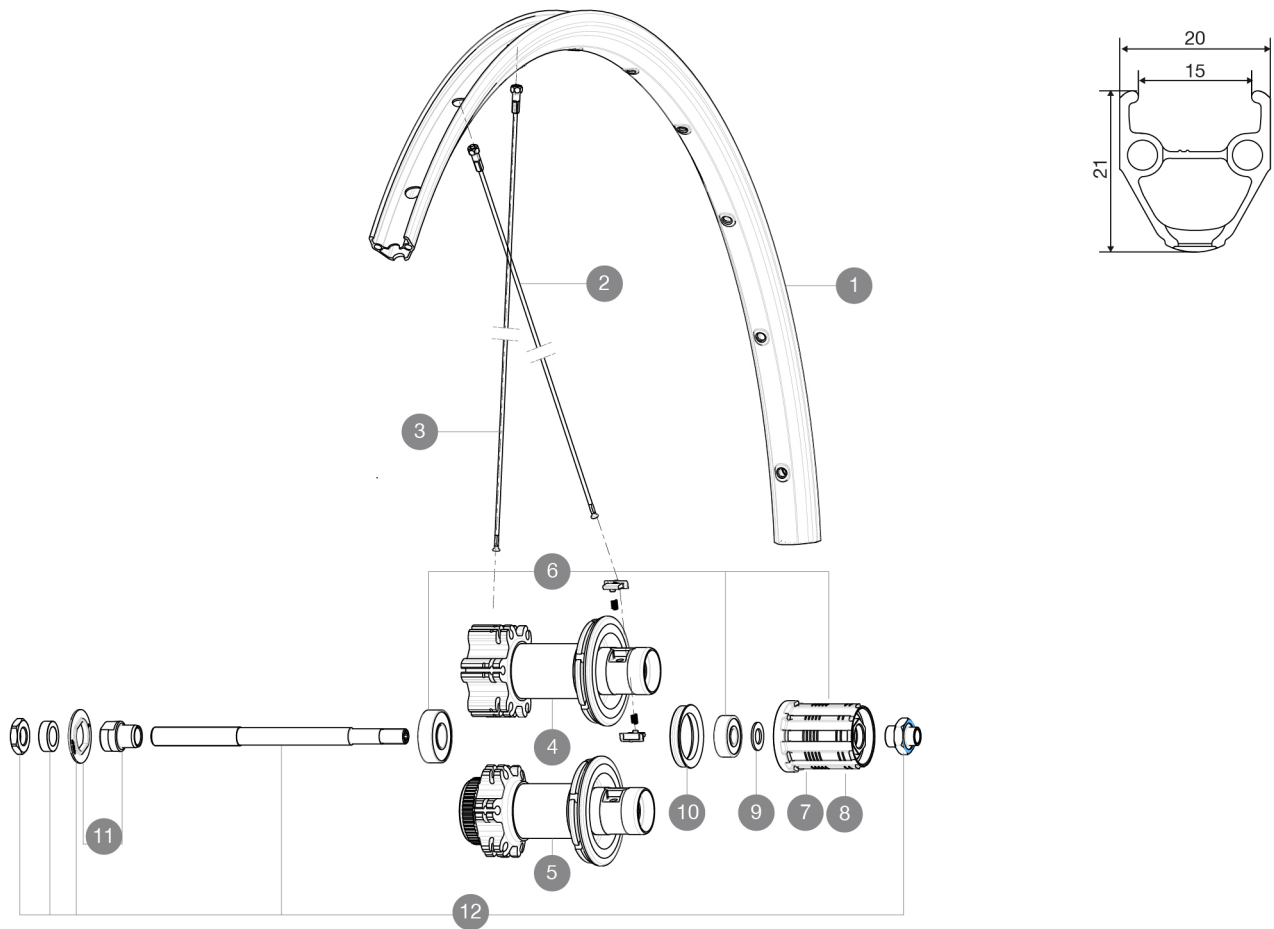


ASTM CATEGORY 2 : road and offroad with jumps less than 15cm
Recommended weight limit : 120kg
Recommended tyre sizes: 25 to 52 mm

REFERENCES WHEELS

R59501 AksiumDiscCL16Rr R59201 AksiumDiscNT16Rr



RIMS



VALVE HOLE \bar{A} (MM): 6,5 :

1 V2290815 KIT FRT/REAR RIM AKSIUM ONE DISC/AKSIUM DISC

SPOKES

2 36690401 KIT 12 DS XONE/XRIDE FTSX/AKSIUM DISC 9 SPK 294mm
3 36690301 "KIT 12 FT/NDS XONE/XMAX - XA 29"/AKSIUM DISC 9 + 12 FT/AKS

HUB SHELLS

4 N/A HUB BODY
6 M40660 REAR HUB 608+6001 BEARINGS
7 30871101 FTS-L ROAD FREEWHEEL BODY HG11 8/9 compatible
8 30871201 FTS-L ROAD FREEWHEEL BODY ED11 8/9 compatible
9 M40067 INTERNAL FREEWHEEL SPACER FTSL/FTSX
10 99500001 FTSL/FTSX FREEHUB BODY SEAL
11 32348401 EXPANSIBLE BEARINGS SUPPORT
12 32348001 MTB DISC REAR AXLE QRM MTB DISC

MAVIC *Aksium Disc***DELIVERED WITH**

BR101 quick releases	
Rim tape	
Front QR adapters	
BR101 quick releases	
User guide	
Front QR adapters	
Rim tape	
User guide	

Specifications**RIMS**

- **Material** : S6000 Aluminum
 - **Height** : 21 mm
 - **Joint** : pinned
 - **Drilling** : traditional with H2 reinforcement
- Disc brake specific profile
- **Valve hole diameter** : 6.5 mm
 - **Tyre** : clincher
 - **Material** : S6000 Aluminum
 - **Height** : 21 mm
 - **ETRTO size** : 622x17C
 - **Recommended tyre sizes** : 25 to 52 mm
 - **Joint** : pinned
 - **Drilling** : traditional with H2 reinforcement

- Disc brake specific profile
- **Valve hole diameter** : 6.5 mm
 - **Tyre** : clincher
 - **ETRTO size** : 622x17C

SPOKES

- **Material** : steel
- **Shape** : straight pull, round
- **Nipples** : brass, ABS
- **Count** : 24 front and rear
- **Lacing** : front and rear crossed 2
- **Material** : steel
- **Shape** : straight pull, round
- **Nipples** : steel, ABS
- **Count** : 24 front and rear
- **Lacing** : front and rear crossed 2

WHEEL HUB

- **Front and rear bodies** : aluminum
 - **Axle material** : front aluminum, rear steel
- Sealed cartridge bearings
- **Freewheel** : FTS-L steel
 - **Front and rear bodies** : aluminum
 - **Front** : convertible to 15mm through axle
 - **Axle material** : front aluminum, rear steel
- Sealed cartridge bearings
- **Freewheel** : FTS-L steel
 - **Front** : convertible to 15mm through axle

WHEEL WEIGHTS

Wheel weight 1075