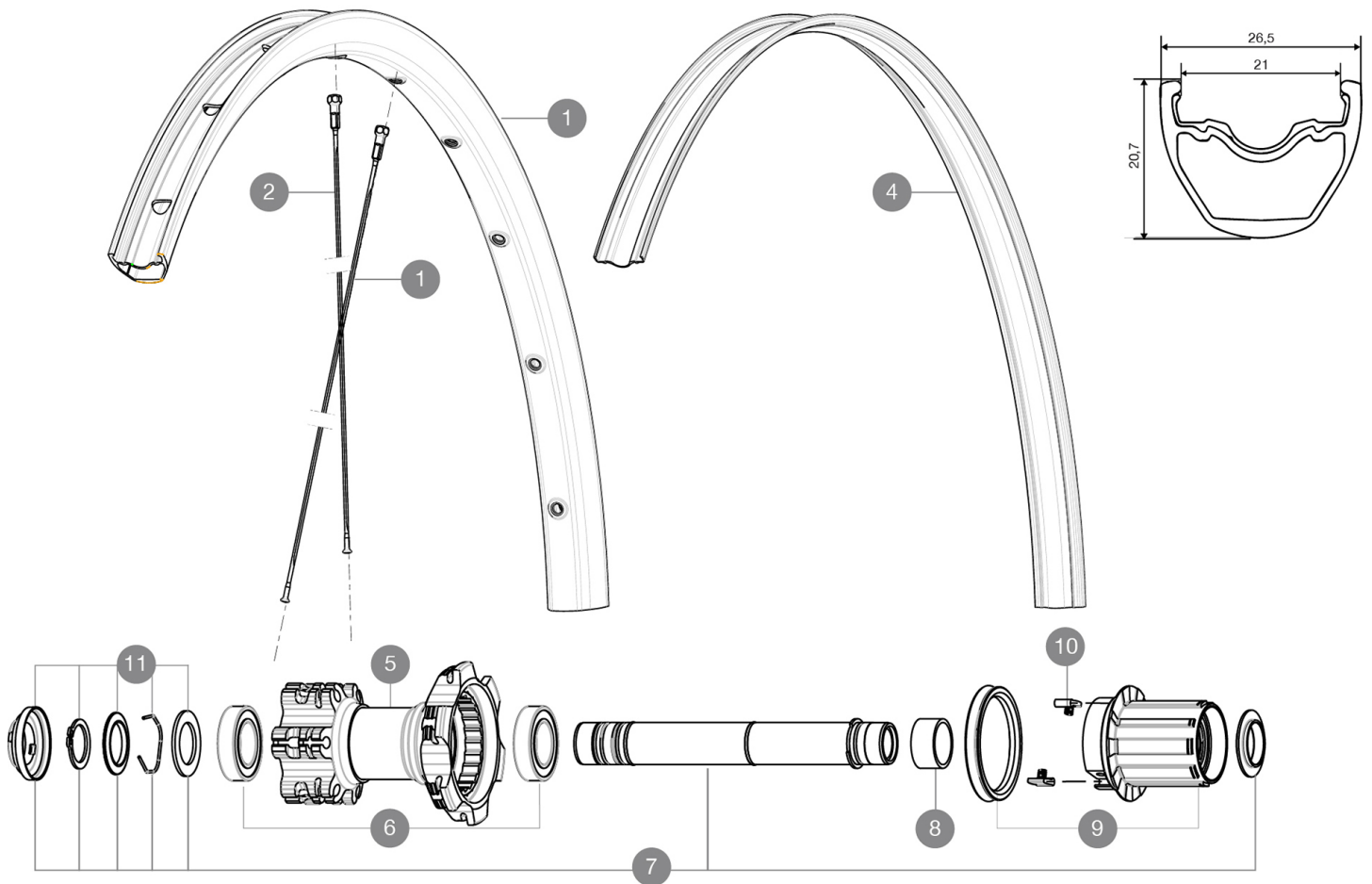


**MAVIC** *Crossride Tubeless Pulse 26*

ASTM CATEGORY 3 : offroad with jumps less than 61cm  
 Recommended weight limit : 120kg  
 Recommended tire sizes: 35 mm to 69 mm (1.4" to 2.7")

**REFERENCES WHEELS****RIMS**

VALVE HOLE (MM): 6,5 :

1	V2314115	"KIT FRONT/REAR RIM CROSSRIDE TUBELESS 26""
	V2170101	UST RIM STRIP 26x21c

**SPOKES**





2	V2381001	KIT 12 NDS CROSSRIDE UST 26" SPOKE 265mm
3	36675301	KIT 12 DS CROSSROC/CROSSRIDE UST 26" SPK 261mm

**HUB SHELLS**

5	N/A	HUB BODY
6	M40076	HUB BEARINGS 17x30x7 6903 x 2
7	V2371201	KIT REAR QRM AXLE 135-142 / BOOST 148mm
8	35124501	SET OF 3 REAR AXLE/FREEWHEEL BODY SPACERS MTB L1
9	35126301	TS-2 FREEWHEEL BODY + SEAL 2013 (NO PAWLS) - while stock las
10	99610601	PAWLS KIT FOR ITS-4 (OR TS-2)
11	V2370401	KIT REAR AUTO ADJUSTING PLAY 12mm AXLE

# MAVIC Crossride Tubeless Pulse 26

## DELIVERED WITH

1 bottle of Mavic Sealant (355 466 01) 1	
Rear 12x142mm adapters for ITS4 and TS2 (308 593 01 for ITS4, 329 650 01 for TS2) 1	
UST valve and accessories (129 838 01)	
Valve reducer x10	
Tubeless rim tape	
User guide	

## COMPATIBILITY

Freewheel: Shimano/Sram, convertible to XD with optional driver body	
Front axle: convertible from 15mm thru axle to Quick Release with optional adapters	
Rear axle: 12mm thru axle, convertible to Quick Release with optional adapters	

## Specifications

### RIMS

- **Material** : S6000 Aluminum
- **Joint** : sleeved
- **Drilling** : traditional with H2 reinforcement  
Disc brake specific profile
- **Valve hole diameter** : 8,5 mm with pop off reducer
- **Tire** : UST Tubeless and tubetype
- **Internal width** : 21 mm
- **ETRTO size 26"** : 559x21C
- **ETRTO size 27.5"** : 584x21C
- **ETRTO size 29"** : 622x21C

### SPOKES

- **Material** : steel
- **Shape** : straight pull, bladed, double butted
- **Nipples** : steel, ABS
- **Count** : 24 front and rear
- **Lacing** : front and rear crossed 2

### WHEEL HUB

- **Front and rear bodies** : aluminum
- **Axle material** : aluminum  
Sealed cartridge bearings
- **Freewheel** : TS-2 alloy

### VERSIONS

- **Color** : Black only
- **Disc standard** : 6 Bolts only
- **Hub width** : Boost (front 110, rear 148) or Non-Boost (front 100, rear 135/142)

### WHEEL WEIGHTS

- Wheel weight
- Weight Rear 27.5": 995
- Weight Rear 29": 1040