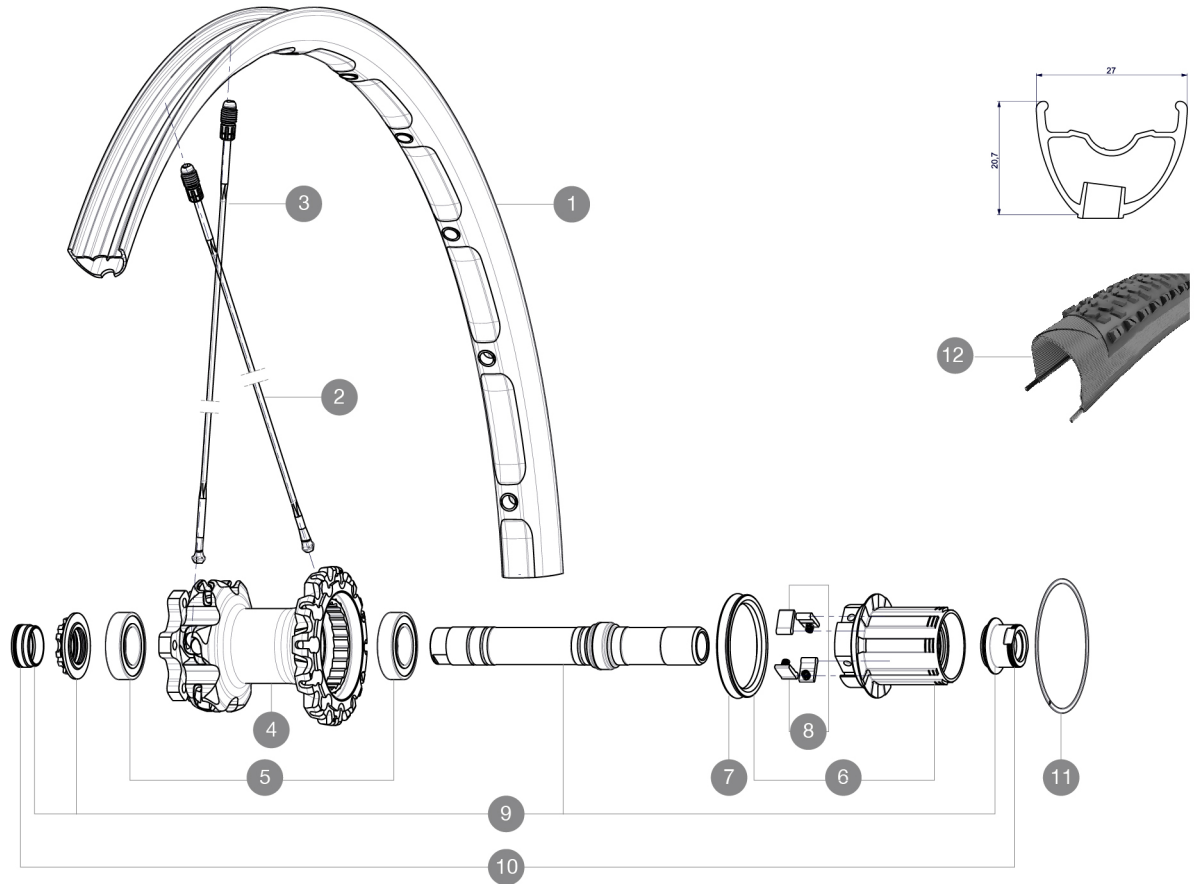


MAVIC **Crossmax XL Pro Ltd 27.5**

ASTM CATEGORY 4 : offroad with jumps less than 122cm
Recommended weight limit : 120kg

REFERENCES WHEELS

R77801 XmaxXLProLtd27.5Rr142WTS

**RIMS**

VALVE HOLE (MM): 6,5 :

1 V2314013 "KIT REAR RIM CROSSMAX XL PRO LTD 27,5""

SPOKES

2 36675101 "KIT 10 DS XMAX SLR/END/PRO/DEEMAX PRO 27,5"" SPK 251,5mm"
2 V2383301 KIT 2 STAMP SPOKE CROSSMAX XL PRO Ltd 27,5"
3 36674901 KIT 12 FT XMAX END/FT-NDS DEEMAX PRO 27,5" ALU SPK 275mm

HUB SHELLS

4 N/A HUB BODY
5 M40076 HUB BEARINGS 17x30x7 6903 x 2
6 35126001 ITS-4 FREEWHEEL BODY + SEAL 2013 (NO PAWLS)
7 99610701 ITS-4 FREEWHEEL SEAL
8 99610601 PAWLS KIT FOR ITS-4 (OR TS-2)
9 30870401 REAR QRM + AXLE KIT ITS4 135mm from 2012
11 30871801 ELASTIC RING 56mm diam. ITS-4 20 SPOKES

ADAPTERS

10 30872201 FRAME SUPPORT ITS-4 135mm REAR AXLE > 2012

MAVIC *Crossmax XL Pro Ltd 27.5***DELIVERED WITH**

2 bottles of Mavic Sealant	
UST valve and accessories	
Front 15 mm adapters	
Rear 12x142mm adapters	
User guide	

Specifications**RIMS**

- **Drilling** : Fore
Disc brake specific profile
- **Weight reduction** : ISM
- **Tyre** : UST Tubeless and tubetype
- **Internal width** : 23 mm
- **ETRTO size 27.5"** : 584x23C
- **ETRTO recommended tyre sizes** : 37mm to 76mm (1.5" to 3.0")

SPOKES

- **Material** : Zicral
- **Shape** : straight pull, bladed
- **Count** : 24 front and rear
- **Lacing** : front crossed 2, rear Isopulse

WHEEL HUB

- **Body** : aluminum
- **Axle material** : aluminum
Adjustable sealed cartridge bearings
- **Freewheel** : ITS-4 alloy
Shimano 11 speeds compatible
Sram XD Compatible (XX1-X01) with optional kit

WHEEL WEIGHTS

Wheel weight 895