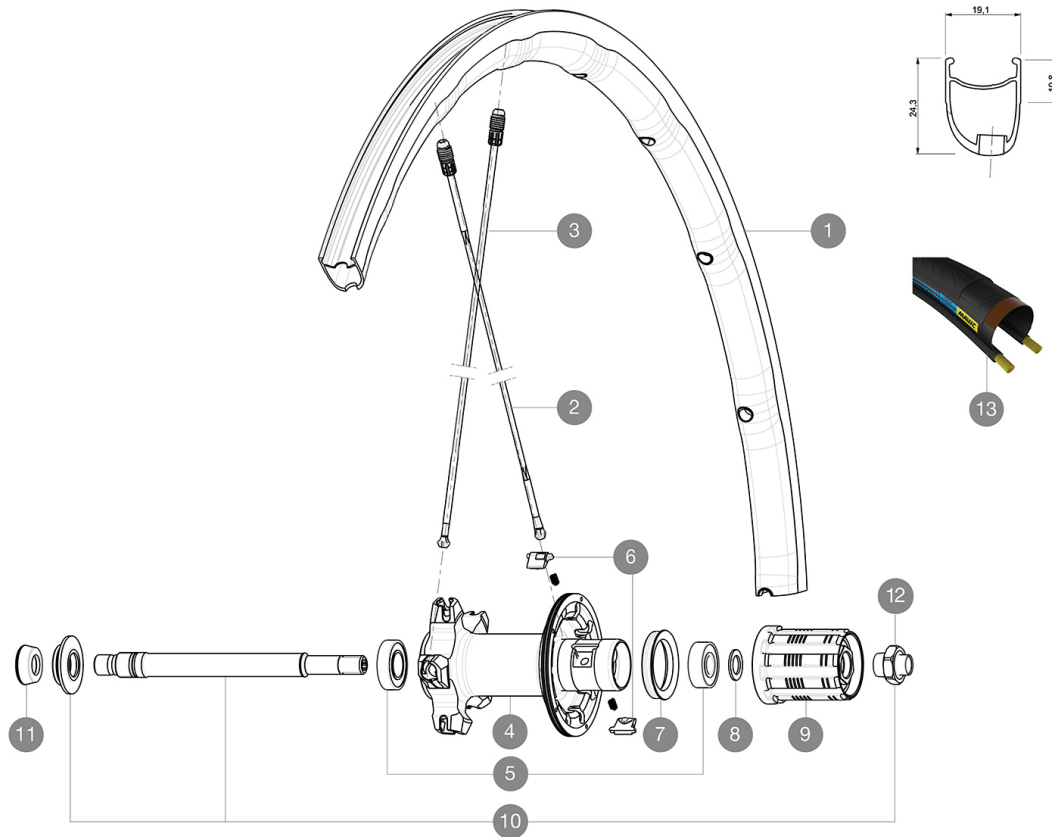


MAVIC Ksyrium Pro Exalith HR

ASTM CATEGORY 2 : road and offroad with jumps less than 15cm
 Recommended weight limit : 120kg
 Recommended tire sizes: 25 to 32 mm
 Max. Pressure: 25mm 7.7 bars - 110 PSI

REFERENCES WHEELS

R98381 KsyriumProExalith HR Rr



RIMS



VALVE HOLE \bar{A} (MM): 6.5 :

1 V2409713 KIT REAR RIM KSYRIUM PRO EXALITH HAUTE ROUTE

SPOKES

2 V2274801 KIT 1 FT 282.5/1 DS 273.5 SPK KSY PRO EXAL HR - while stock
 2 V2270501 KIT 12 DS KSY PRO/PRO DISC/SL C/PRO EXA SPK 273,5mm
 3 10844701 KIT 10 DS R-SYS SL/SLR TUB ALU LTD SPK 297,5mm

HUB SHELLS

4 N/A HUB BODY
 5 33000001 REAR HUB B9+6901 BEARINGS 2013
 6 M40578 FTSL PAWLS KIT (ROAD WHEELS)
 7 99500001 FTSL/FTSX FREEHUB BODY SEAL
 8 30872801 SET OF 3 INTERNAL SILVER SPACERS 9mm FTS-L
 9 30871201 FTS-L ROAD FREEWHEEL BODY ED11 8/9 compatible
 9 30871101 FTS-L ROAD FREEWHEEL BODY HG11 8/9 compatible
 10 V2250501 KIT REAR AXLE KSYRIUM SLE/SL/ELITE/PRO EXALITH/ALLROAD ELIT
 12 V2373101 KIT NUT FOR ROAD ALLOY THROUGH AXLE 9mm

TYRES



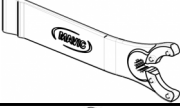

13 39436025 YksionProPowerLink HR

ADAPTERS

11 35117301 FT/RR FORK REST R-SYS/CC ULTIMATE > 2013/KSY PRO CARB T

MAVIC Ksyrium Pro Exalith HR

DELIVERED WITH

BR601 quick releases (V24 501 01 frt, V24 502 01 rear) 1	
Exalith brake pads (V24 703 01 Shimano/Sram, V24 704 01 Campagnolo) 1	
Multifonction adjustment wrench (325 423 01) 1	
Wheelbag (V24 801 01) 1	
User guide	

COMPATIBILITY

Freewheel: Shimano/Sram, convertible to Campagnolo with optional driver body	
Front axle: Quick Release only	
Rear axle: Quick Release only	

Specifications

RIMS

- **Material** : Maxtal
- **Height** : front 24mm, rear 26 asymmetrical
- **Joint** : SUP
- **Drilling** : Fore
- **Brake track** : Exalith 2
- **Weight reduction** : ISM 4D
- **Valve hole diameter** : 6.5 mm
- **Tire** : clincher
- **Internal width** : 17 mm
- **ETRTO size** : 622x17C

SPOKES

- **Material** : Zicral
- **Shape** : straight pull, bladed, front double butted
- **Nipples** : Fore integrated aluminum
- **Count** : front 18, rear 20
- **Lacing** : front radial, rear Isopulse

WHEEL HUB

- **Rear body** : aluminum
 - **Front body** : carbon with aluminum flanges
 - **Axle material** : aluminum
- Adjustable sealed cartridge bearings
- **Freewheel** : FTS-L steel

VERSIONS

- **Color** : Black only

WHEEL WEIGHTS

Wheel weight