

# MAVIC Ksyrium Pro UST

ASTM CATEGORY 2 : road and offroad with jumps less than 15cm

For a longer longevity of the wheel, Mavic recommends that the total weight supported by the wheels don't exceed 120kg, bike included

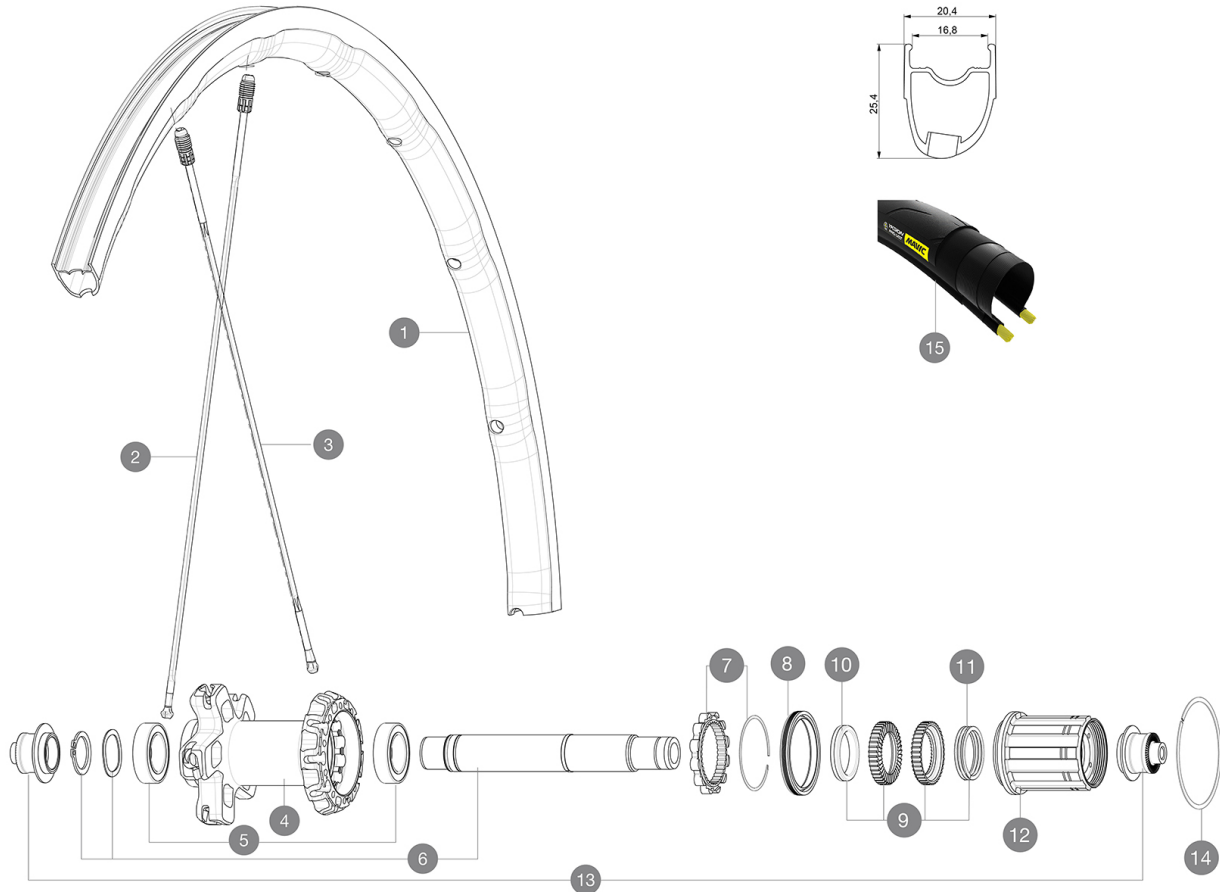
Recommended tyre sizes: 25 to 32 mm

Max. Pressure: see indication on wheel and tyre. If they differ, use the lower of the 2

Max. Pressure tubeless: 25mm 7 bars - 100 PSI, 28mm 6 bars - 87 PSI. Max pressure tubetype: 25/28mm 7,7 bars - 110 PSI

## REFERENCES WHEELS

R17231 Ksy Pro UST Rr



## RIMS



&NBSP;:

1 V2730713 KIT REAR RIM KSYRIUM PRO UST

## SPOKES

2 10844701 KIT 10 DS R-SYS SL/SLR TUB ALU BTD SPK 297,5mm  
 3 V2278101 KIT 1 FT 285,5/1 RR KSYRIUM PRO UST SPK 273,5 - while stock  
 3 V2270501 KIT 12 DS KSY PRO/PRO DISC/SL C/PRO EXA SPK 273,5mm

## HUB SHELLS

4 N/A HUB BODY  
 5 V2560401 KIT 2 BEARINGS 17x28x7 + WAVED WASHER + CLIP  
 6 V2252801 KIT ID360 UB REAR AXLE W/CLIP/WAVED WASHER  
 7 V2252701 KIT ID360 INSERT SHAPED EAR LOBE > 2017  
 8 V2251601 KIT ID360 SEAL + GREASE  
 9 V2251701 KIT ID360 2 RATCHETS + SPRING + GREASE  
 10 V2500501 KIT ID360 3 PADS NOISE REDUCING  
 11 V2251801 KIT 3 ID360 ROAD SPRINGS  
 12 V3430101 HG11 Freewheel Body ID360  
 14 V2252201 KIT 2 REAR HUB RETENTION RINGS 48mm

## TYRES

15 39938825 Yksion Pro UST 700x25

## ADAPTERS

13 V2253101 KIT REAR AXLE ADAPTOR QUICK RELEASE ID360

# MAVIC Ksyrium Pro UST

 2018  
 REAR

## DELIVERED WITH

Mavic tyre sealant (rear wheel) (355 466 01)	
Mavic tyre sealant (rear wheel) (355 466 01)	
Mavic tyre sealant (rear wheel) (355 466 01)	
Mavic tyre sealant (rear wheel) (355 466 01)	
BR601 quick releases (V24 501 01 frt, V24 502 01 rear)	
BR301 quick releases (V24 501 01 frt, V24 502 01 rear)	
BR301 quick releases (V24 501 01 frt, V24 502 01 rear)	
BR301 quick releases (V24 501 01 frt, V24 502 01 rear)	
Tyre sealant syringe	
Tyre sealant syringe	
Tyre sealant syringe	
Tyre sealant syringe	
UST valve and accessories (129 838 01)	
UST valve and accessories (129 838 01)	
UST valve and accessories (129 838 01)	
UST valve and accessories (129 838 01)	
User guide	
User guide	

## COMPATIBILITY

Freewheel: Shimano/Sram, convertible to Campagnolo and XD-R with optional driver bodies	
Freewheel: Shimano/Sram, convertible to Campagnolo and XD-R with optional driver bodies	
Freewheel: Shimano/Sram, convertible to Campagnolo and XD-R with optional driver bodies	
Freewheel: Shimano/Sram, convertible to Campagnolo and XD-R with optional driver bodies	
Front axle: Quick Release only	
Front axle: Quick Release only	
Front axle: Quick Release only	
Front axle: Quick Release only	
Rear axle: Quick Release only	
Rear axle: Quick Release only	
Rear axle: Quick Release only	
Rear axle: Quick Release only	