

ASTM CATEGORY 1 : road only

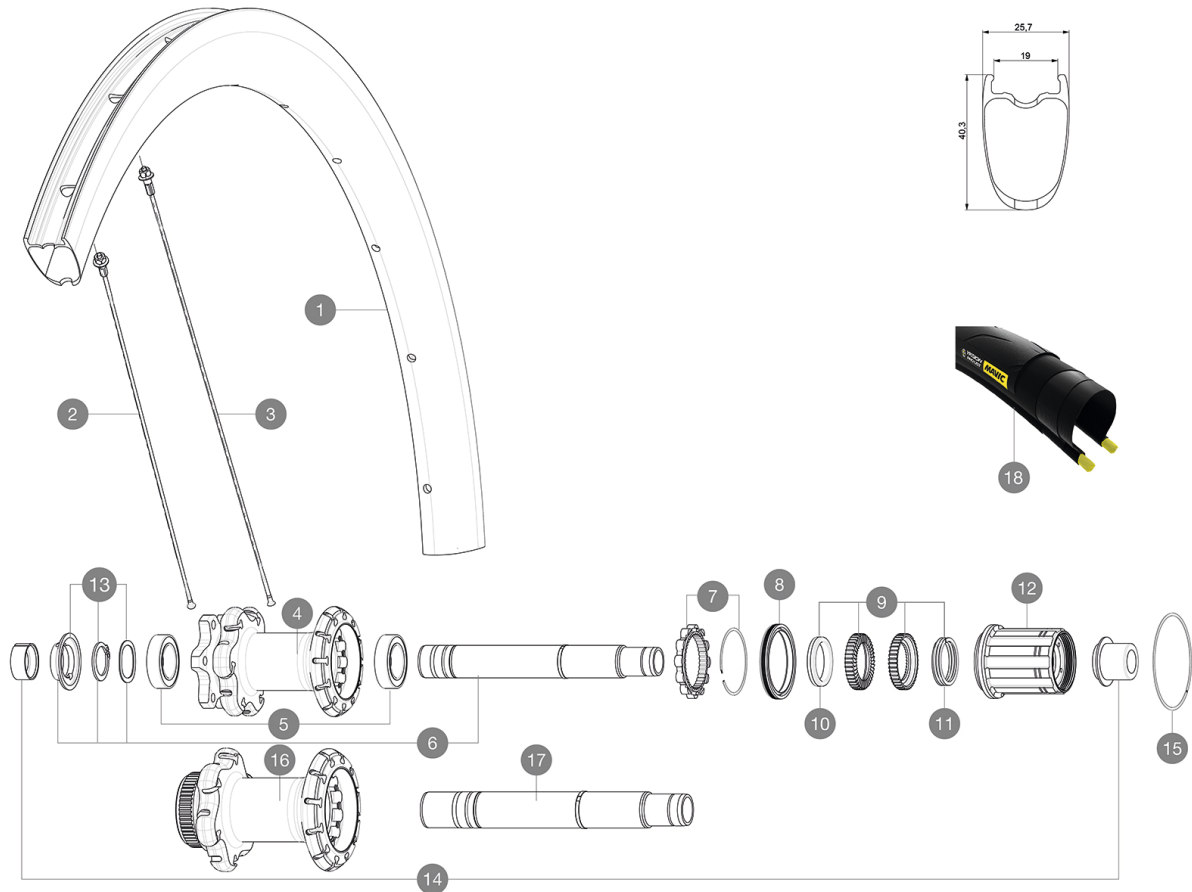
For a longer longevity of the wheel, Mavic recommends that the total weight supported by the wheels don't exceed 120kg, bike included

Recommended tyre sizes: 25 to 32 mm

Max. Pressure tubeless: 25mm 6 bars - 87 PSI, 28mm 5 bars - 70 PSI. Max pressure tubetype: 25mm 7 bars - 102 PSI

REFERENCES WHEELS

| | | | |
|--------|----------------------------|--------|----------------------------|
| R17531 | CosProCarbSLUSTD6B12x142Rr | R17541 | CosProCarbSLUSTDCL12x142Rr |
|--------|----------------------------|--------|----------------------------|



RIMS



&NBSP;:

| | | |
|---|----------|--|
| 1 | V2733313 | KIT REAR RIM COSMIC PRO CARBON SL UST DISC |
| | V2620101 | UST RIM TAPE 25mm (for 21-24mm wide rim) |

SPOKES

| | | |
|---|----------|--|
| 2 | V3662801 | KIT 12 DS COSMIC PRO CARB SL T/UST/UST Disc/C/C Disc BUTTED |
| 2 | V2271101 | KIT 12 DS COS PRO CARB SL/SL UST 1 UST D BTD AERO SPK 260mm/ |
| 3 | V3660601 | KIT 1 FT/RR NDS 278/1 FT 271 CPC SL C/C DISC SPK |
| 3 | V3663001 | KIT 12 FRT/NDS COSMIC PRO CARB SL UST/UST Disc C/C Disc/T Di |
| 3 | V2271201 | KIT 12 NDS COS PRO CARB SL/FT SL D/FT & NDS UST & UST D SPK |

HUB SHELLS

| | | |
|----|----------|---|
| 4 | N/A | HUB BODY |
| 5 | V2560401 | KIT 2 BEARINGS 17x28x7 + WAVED WASHER + CLIP |
| 6 | V2253001 | KIT ID360 6 BOLTS 135/142mm AXLE WITH CIRCLIP |
| 7 | V2252701 | KIT ID360 INSERT SHAPED EAR LOBE > 2017 |
| 8 | V2251601 | KIT ID360 SEAL + GREASE |
| 9 | V2251701 | KIT ID360 2 RATCHETS + SPRING + GREASE |
| 10 | V2500501 | KIT ID360 3 PADS NOISE REDUCING |
| 11 | V2251801 | KIT 3 ID360 ROAD SPRINGS |
| 12 | V3430101 | HG11 Freewheel Body ID360 |
| 13 | V2560501 | KIT ADJUST. SYSTEM QRM AUTO ID360 for 17x28x7 bearing |

| | | |
|----|----------|---|
| 15 | V2252201 | KIT 2 REAR HUB RETENTION RINGS 48mm |
| 16 | N/A | HUB BODY |
| 17 | V2252901 | KIT ID360 CENTER LOCK 135/142mm AXLE W/CLIP |

TYRES

| | | |
|----|----------|-----------------------|
| 18 | 39938825 | Yksion Pro UST 700x25 |
|----|----------|-----------------------|

ADAPTERS

| | | |
|----|----------|--------------------------------|
| 14 | V2510701 | ID360V2RrAxleAdapt12x142/148 |
| | V2510801 | ID360 V2 RrAxleAdapt9x135 |
| | V2510901 | ID360 EVO RrAxleAdpt12x135/150 |

MAVIC Cosmic Pro Carbon SL UST Disc

DELIVERED WITH

| | |
|---|--|
| Mavic tyre sealant (rear wheel) (355 466 01) | |
| Tyre sealant syringe | |
| UST valve and accessories (129 838 01) | |
| Specific disc bolts (308 719 01) | |
| Tubeless rim tape | |
| Multifonction adjustment wrench (325 423 01) | |
| User guide | |

COMPATIBILITY

| | |
|--|--|
| Freewheel: Shimano/Sram, convertible to Campagnolo and XD-R with optional driver bodies | |
| Front axle: 12mm thru axle. Optional: Easily convertible to quick release with adequate adapters, convertible to 15mm with complete axle replacement | |
| Rear axle: 12mm thru axle, convertible to Quick Release with optional adapters (not available in Germany) | |

Specifications

RIMS

- **Material** : 3K carbon fibers
 - **Height** : 40 mm
 - **Drilling** : traditional
- Disc brake specific profile
- **Valve hole diameter** : 6.5 mm
 - **Tyre** : UST Tubeless and tubetype
 - **Internal width** : 19 mm
 - **ETRTO size** : 622x19TC Road

SPOKES

- **Material** : steel
- **Shape** : straight pull, aero, double butted
- **Nipples** : aluminum, ABS
- **Count** : 24 front and rear
- **Lacing** : front crossed 2, rear Isopulse

WHEEL HUB

- **Front and rear bodies** : aluminum
- **Axle material** : aluminum
- **Front bearings** : adjustable sealed cartridge bearings (QRM+), Rear bearings auto adjust sealed cartridge bearings (QRM Auto)
- **Freewheel** : Instant Drive 360

VERSIONS

- **Color** : Black only
- **Disc standard** : 6 Bolts or Center Lock(R)

WHEEL WEIGHTS

820