

MAVIC Ksyrium Elite UST

ASTM CATEGORY 2 : road and offroad with jumps less than 15cm

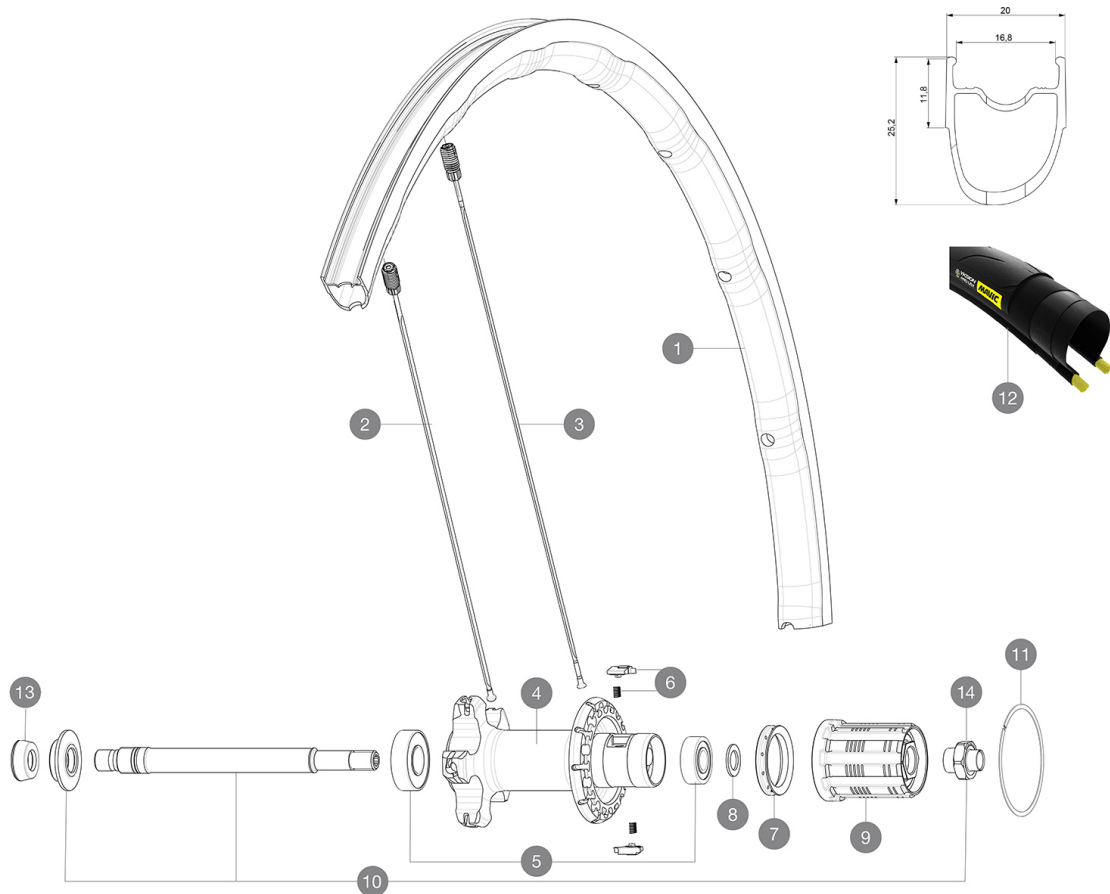
For a longer longevity of the wheel, Mavic recommends that the total weight supported by the wheels don't exceed 120kg, bike included

Recommended tyre sizes: 25 to 32 mm

Max. Pressure tubeless: 25mm 7 bars - 100 PSI, 28mm 6 bars - 87 PSI. Max pressure tubetype: 25/28mm 7,7 bars - 110 PSI

REFERENCES WHEELS

R17561	KsyEIUSTRr GraphiteBlack	R17562	KsyEIUSTRr Yellow
R17563	KsyEIUSTRr Red		



RIMS



&NBSP;:

1	V2730913	KIT REAR RIM KSYRIUM ELITE UST
---	----------	--------------------------------

SPOKES

2	V2278001	KIT 10 NDS KSYRIUM ELITE UST BTD SPK 301mm
3	V2277901	KIT 10 DS KSYRIUM ELITE UST SPOKE 275mm

HUB SHELLS

4	N/A	HUB BODY
4	N/A	HUB BODY
4	N/A	HUB BODY
4	N/A	HUB BODY
5	V2540101	REAR HUB B9+6001 BEARINGS 2015
6	M40578	FTSL PAWLS KIT (ROAD WHEELS)
7	99500001	FTSL/FTSX FREEHUB BODY SEAL
8	30872801	SET OF 3 INTERNAL SILVER SPACERS 9mm FTS-L
9	30871101	FTS-L ROAD FREEWHEEL BODY HG11 8/9 compatible
10	V2250501	KIT REAR AXLE KSYRIUM SLE/SL/ELITE/PRO EXALITH/ALLROAD ELIT
11	V2252201	KIT 2 REAR HUB RETENTION RINGS 48mm
14	V2373101	KIT NUT FOR ROAD ALLOY THROUGH AXLE 9mm

TYRES

12	39938825	Yksion Pro UST 700x25
----	----------	-----------------------

ADAPTERS

13	35117301	FT/RR FORK REST R-SYS/CC ULTIMATE > 2013/KSY PRO CARB T
----	----------	---

MAVIC Ksyrium Elite UST

DELIVERED WITH

Mavic tyre sealant (rear wheel) (355 466 01)	
Mavic tyre sealant (rear wheel) (355 466 01)	
BR301 quick releases (V24 501 01 frt, V24 502 01 rear)	
BR301 quick releases (V24 501 01 frt, V24 502 01 rear)	
Tyre sealant syringe	
Tyre sealant syringe	
UST valve and accessories (129 838 01)	
UST valve and accessories (129 838 01)	
Multifunction adjustment wrench (325 423 01)	
Multifunction adjustment wrench (325 423 01)	
User guide	
User guide	

COMPATIBILITY

Freewheel: Shimano/Sram, convertible to Campagnolo with optional driver body	
Freewheel: Shimano/Sram, convertible to Campagnolo with optional driver body	
Front axle: Quick Release only	
Front axle: Quick Release only	
Rear axle: Quick Release only	
Rear axle: Quick Release only	

Specifications

RIMS

- **Material** : Mxstal
- **Material** : Mxstal
- **Height** : front 22 mm, rear 25 mm asymmetrical
- **Height** : front 24mm, rear 26 asymmetrical
- **Joint** : SUP
- **Joint** : SUP
- **Drilling** : Fore
- **Drilling** : Fore
- **Brake track** : UB Control
- **Brake track** : UB Control
- **Weight reduction** : ISM 4D
- **Weight reduction** : ISM 4D
- **Valve hole diameter** : 6.5 mm
- **Valve hole diameter** : 6.5 mm
- **Tyre** : clincher
- **Tyre** : clincher
- **Internal width** : 17 mm
- **Internal width** : 17 mm
- **ETRTO size** : 622x17TC ROAD
- **ETRTO size** : 622x17TC ROAD

SPOKES

- **Material** : steel
- **Material** : steel
- **Shape** : straight pull, flat, double butted

WHEEL HUB

- **Front and rear bodies** : aluminum
- **Front and rear bodies** : aluminum
- **Axle material** : aluminum
- **Axle material** : aluminum
- Adjustable sealed cartridge bearings (QRM+)
- Adjustable sealed cartridge bearings (QRM+)
- **Freewheel** : FTS-L steel
- **Freewheel** : FTS-L steel

VERSIONS

- **Color** : Black only

WHEEL WEIGHTS

855