

MAVIC Comete Pro Carbon Disc

ASTM CATEGORY 1 : road only

For a longer longevity of the wheel, Mavic recommends that the total weight supported by the wheels don't exceed 120kg, bike included

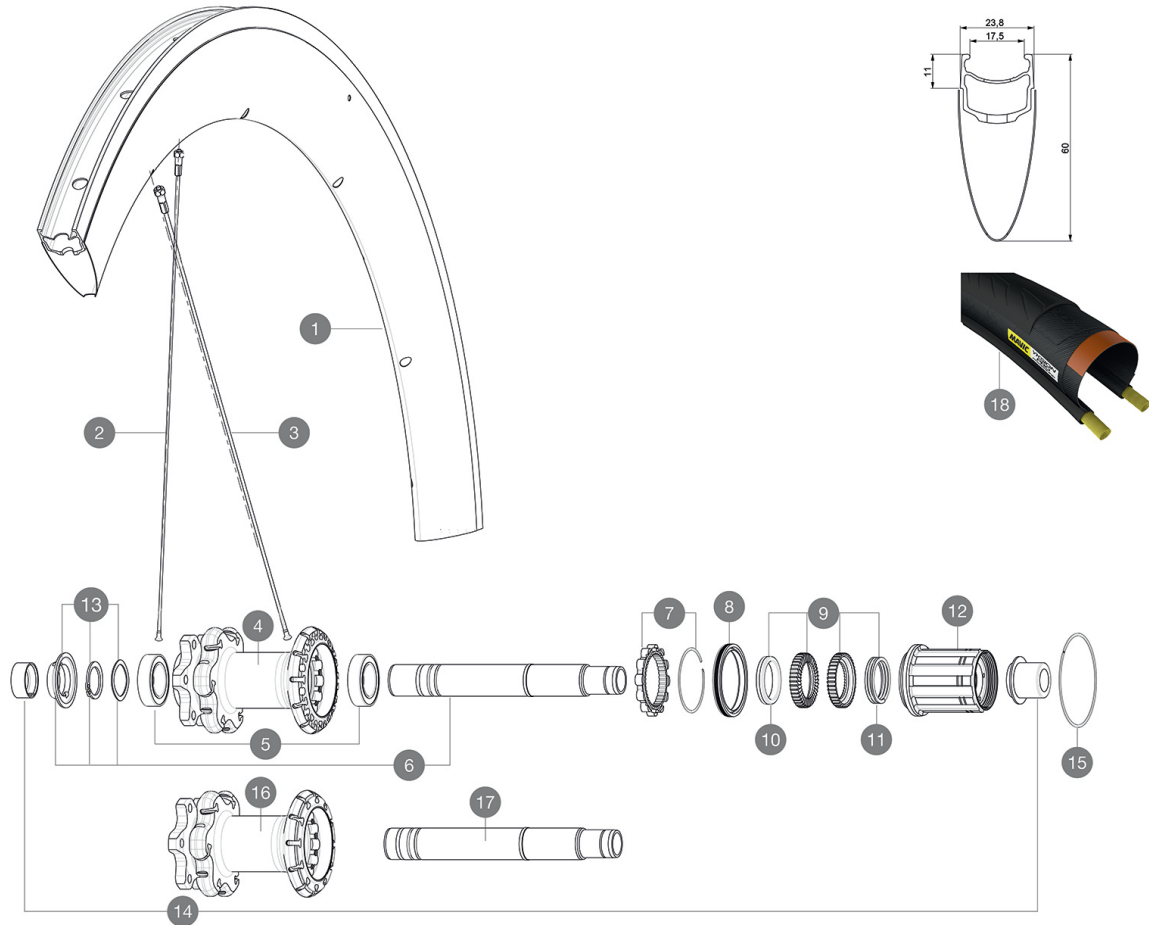
Recommended tyre sizes: 25 to 32 mm

Max. Pressure: 23mm 8.7 bars - 125 psi, 25/28mm 7.7 bars - 110 psi

REFERENCES WHEELS

R20931 ComProCD6B12x142RrSV

R20981 ComProCDCL12x142RrSV



RIMS



&NBSP;:

1 V2732313 KIT REAR RIM COMETE PRO CARBON DISC

SPOKES

2 V3662101 KIT 12 FRT/ND5 COMETE PRO CARBON Disc BUTTED AERO STAINLESS
 2 V2279701 KIT 12 FT/ND5 COMETE PRO CARB DISC SPK 294mm - while stock I
 3 V3662001 KIT 12 DS COMETE PRO CARBON UB/D BUTTED AERO STAINLESS SPOKE
 3 V2279801 KIT 12 DS COMETE PRO CARBON UB/DISC SPK 277mm - while stock

HUB SHELLS

4 N/A HUB BODY
 5 V2560401 KIT 2 BEARINGS 17x28x7 + WAVED WASHER + CLIP
 6 V2252901 KIT ID360 CENTER LOCK 135/142mm AXLE W/CLIP
 7 V2252701 KIT ID360 INSERT SHAPED EAR LOBE > 2017
 8 V2251601 KIT ID360 SEAL + GREASE
 9 V2251701 KIT ID360 2 RATCHETS + SPRING + GREASE
 10 V2500501 KIT ID360 3 PADS NOISE REDUCING
 11 V2251801 KIT 3 ID360 ROAD SPRINGS
 12 V3430101 HG11 Freewheel Body ID360
 13 V2560501 KIT ADJUST. SYSTEM QRM AUTO ID360 for 17x28x7 bearing
 15 V2252201 KIT 2 REAR HUB RETENTION RINGS 48mm
 16 N/A HUB BODY
 17 V2253001 KIT ID360 6 BOLTS 135/142mm AXLE WITH CIRCLIP

TYRES

18 37805525 YksionProPowerLinkWH

ADAPTERS

14 V2510701 ID360V2RrAxleAdapt12x142/148
 V2510801 ID360 V2 RrAxleAdapt9x135
 V2510901 ID360 EVO RrAxleAdpt12x135/150

MAVIC Comete Pro Carbon Disc

DELIVERED WITH

| | |
|--|--|
| Front QR adapters (996 941 01 for MTB or B41 043 01 for road) | |
| Rear QR adapters for Instant Drive 360 (B49 894 01) | |
| Rim tape | |
| Rim tape | |
| Multifunction adjustment wrench (325 423 01) | |
| Multifunction adjustment wrench (325 423 01) | |
| User guide | |
| User guide | |

COMPATIBILITY

| | |
|--|--|
| Freewheel: Shimano/Sram, convertible to Campagnolo and XD-R with optional driver bodies | |
| Freewheel: Shimano/Sram, convertible to Campagnolo and XD-R with optional driver bodies | |
| Front axle: 12mm thru axle. Optional: Easily convertible to quick release with adequate adapters, convertible to 15mm with complete axle replacement | |
| Front axle: 12mm thru axle, easily convertible to quick release with included adapters. Convertible to 15mm with complete axle replacement | |
| Rear axle: 12mm thru axle, convertible to Quick Release with optional adapters (not available in Germany) | |
| Rear axle: 12mm thru axle, convertible to Quick Release with included adapters | |

Specifications

RIMS

- **Material** : Mxaltal and 12K carbon fiber
- **Material** : Mxaltal and 12K carbon fiber
- **Height** : 60 mm
- **Height** : 60 mm
- **Joint** : SUP
- **Joint** : SUP
- **Drilling** : traditional
- **Drilling** : traditional
- Disc brake specific profile
- Disc brake specific profile
- **Weight reduction** : ISM
- **Weight reduction** : ISM
- **Valve hole diameter** : 6.5 mm
- **Valve hole diameter** : 6.5 mm
- **Tyre** : clincher
- **Tyre** : clincher
- **Internal width** : 17 mm
- **Internal width** : 17 mm
- **ETRTO size** : 622x17C
- **ETRTO size** : 622x17C

SPOKES

- **Material** : steel
- **Material** : steel
- **Shape** : straight pull, aero, double butted
- **Shape** : straight pull, aero, double butted
- **Nipples** : aluminum, ABS
- **Nipples** : aluminum, ABS
- **Count** : 24 front and rear
- **Count** : 24 front and rear
- **Lacing** : front crossed 2, rear Isopulse
- **Lacing** : front crossed 2, rear Isopulse

WHEEL HUB

- **Front and rear bodies** : aluminum
- **Front and rear bodies** : aluminum
- **Axle material** : aluminum
- **Axle material** : aluminum
- **Front bearings** : adjustable sealed cartridge bearings (QRM+), Rear bearings auto adjust sealed cartridge bearings (QRM Auto)
- **Front bearings** : adjustable sealed cartridge bearings (QRM+), Rear bearings auto adjust sealed cartridge bearings (QRM Auto)
- **Freewheel** : Instant Drive 360
- **Freewheel** : Instant Drive 360
- **Front** : Quick release, 12x100 and 15x100 through axle compatible
- **Rear** : Quick Release, 12x142 and 12x135 compatible

VERSIONS

- **Color** : Black only
- **Disc standard** : 6 Bolts or Center Lock(R)
- **Disc standard** : Center Lock(R) only

WHEEL WEIGHTS

985