

MAVIC Allroad Elite Road+

ASTM CATEGORY 2 : road and offroad with jumps less than 15cm

For a longer longevity of the wheel, Mavic recommends that the total weight supported by the wheels don't exceed 120kg, bike included

Recommended tyre sizes: 28 to 62 mm (1.1" to 2.5")

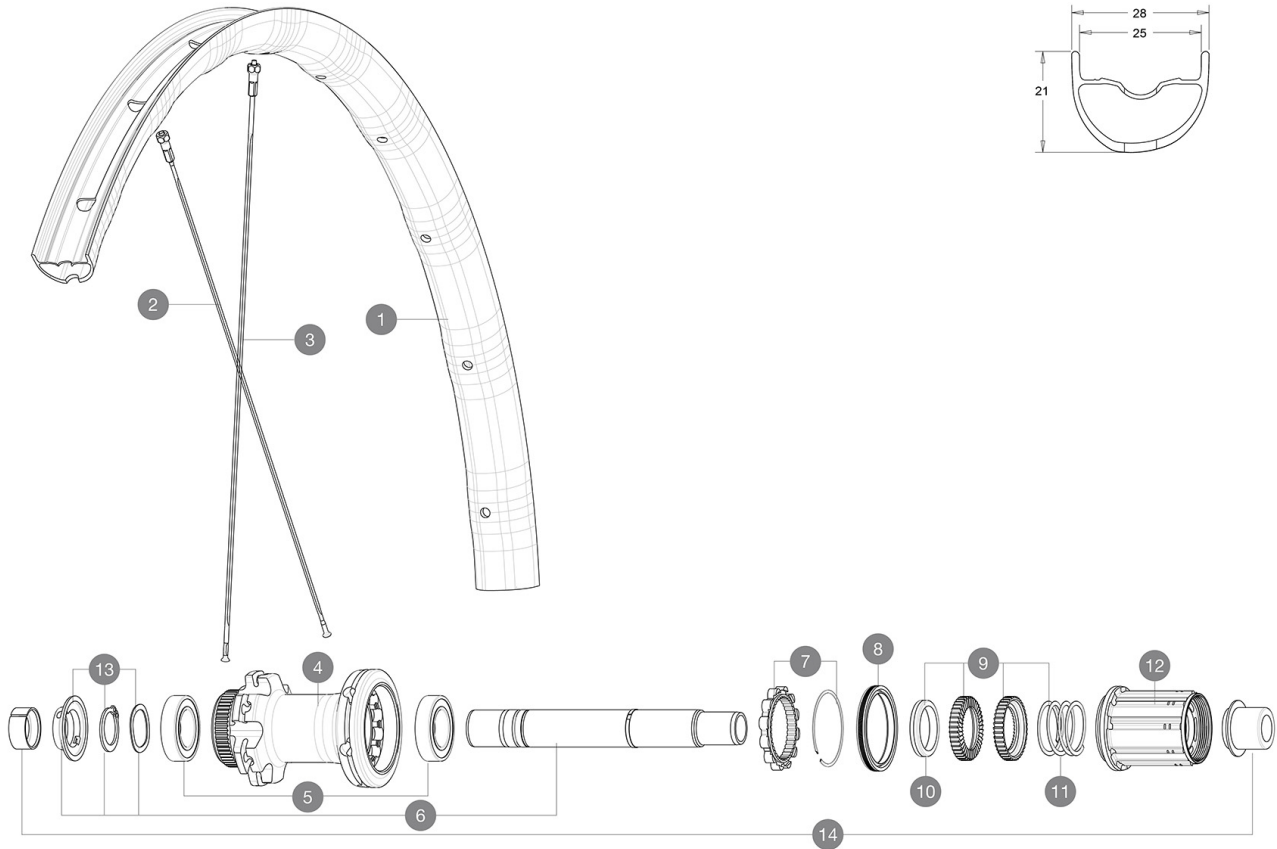
Max. Pressure: see indication on wheel and tyre. If they differ, use the lower of the 2

Max. Pressure: 30mm 5.8 bars - 85 PSI / 35mm 5.1 bars - 74 PSI / 40mm 4.5 bars - 65 PSI

REFERENCES WHEELS

P87761 Allroad Elite Road+ DCL Pr

R28681 Allroad Elite DCL Road+Rr



RIMS



&NBSP;:

| | | |
|---|----------------------|-----------------------------------------------------------------------------------|
| 1 | V2734815 V2700101 | KIT FRONT/REAR RIM ALLROAD ELITE ROAD + UST Tape 28mm for 25 to 27mm wide rims |
|---|----------------------|-----------------------------------------------------------------------------------|

SPOKES

| | | |
|---|----------|-------------------------------------------------------------|
| 2 | V2382401 | KIT 12 FT/NDS XRIDE + FTSX/NDS XMAX EL/XA EL 27,5" SPK 279m |
| 3 | 36689301 | "KIT 12 DS CROSSROC/XRIDE UST/XMAX ELITE/XA ELITE 27,5" SPK |

HUB SHELLS



| | | |
|----|----------|-------------------------------------------------------|
| 4 | N/A | HUB BODY |
| 5 | M40076 | HUB BEARINGS 17x30x7 6903 x 2 |
| 6 | V2373401 | KIT ID360 135/142 DCL L1 AXLE WITH CLIP |
| 7 | V2252701 | KIT ID360 INSERT SHAPED EAR LOBE > 2017 |
| 8 | V2251601 | KIT ID360 SEAL + GREASE |
| 9 | V2251701 | KIT ID360 2 RATCHETS + SPRING + GREASE |
| 10 | V2500501 | KIT ID360 3 PADS NOISE REDUCING |
| 11 | V2251801 | KIT 3 ID360 ROAD SPRINGS |
| 12 | V3430101 | HG11 Freewheel Body ID360 |
| 13 | V2373001 | KIT ADJUST. SYSTEM QRM AUTO ID360 for 17x30x7 bearing |

ADAPTERS

| | | |
|----|----------|--------------------------------|
| 14 | V2510701 | ID360V2RrAxleAdapt12x142/148 |
| | V2510801 | ID360 V2 RrAxleAdapt9x135 |
| | V2510901 | ID360 EVO RrAxleAdpt12x135/150 |

MAVIC Allroad Elite Road+

DELIVERED WITH

| | |
|------------------------------------------------------------------|-----------------------------------------------------------------------------------|
| Front QR adapters (996 941 01 for MTB or B41 043 01 for road) | |
| Front QR adapters (996 941 01 for MTB or B41 043 01 for road) | |
| Rear QR adapters for Instant Drive 360 (B49 894 01) | |
| Rear QR adapters for Instant Drive 360 (B49 894 01) | |
| UST valve and accessories (129 838 01) |  |
| UST valve and accessories (129 838 01) |  |
| Tubeless rim tape | |
| Tubeless rim tape | |
| User guide | |
| User guide | |

COMPATIBILITY

| | |
|--------------------------------------------------------------------------------------------------------------------------------------------|--|
| Freewheel: Shimano/Sram, convertible to Campagnolo and XD-R with optional driver bodies | |
| Freewheel: Shimano/Sram, convertible to Campagnolo and XD-R with optional driver bodies | |
| Front axle: 12mm thru axle, easily convertible to quick release with included adapters. Convertible to 15mm with complete axle replacement | |
| Front axle: 12mm thru axle, easily convertible to quick release with included adapters. Convertible to 15mm with complete axle replacement | |
| Rear axle: 12mm thru axle, convertible to Quick Release with included adapters | |
| Rear axle: 12mm thru axle, convertible to Quick Release with included adapters | |

Specifications

RIMS

- **Material** : Mxstal
 - **Material** : Mxstal
 - **Height** : 21 mm
 - **Height** : 21 mm
 - **Joint** : SUP
 - **Joint** : SUP
 - **Drilling** : traditional
 - **Drilling** : traditional
- Disc brake specific profile
Disc brake specific profile
- **Weight reduction** : ISM 4D
 - **Weight reduction** : ISM 4D
 - **Valve hole diameter** : 6.5 mm
 - **Valve hole diameter** : 6.5 mm
 - **Tyre** : UST Tubeless and tubetype
 - **Tyre** : UST Tubeless and tubetype
 - **Internal width** : 25 mm
 - **Internal width** : 25 mm
 - **ETRTO size 27.5"** : 584x25TSS
 - **ETRTO size 27.5"** : 584x25TSS
- Hookless profile
Hookless profile
Use with Mavic Tubeless Tape
Use with Mavic Tubeless Tape

SPOKES

- **Material** : steel
- **Material** : steel
- **Shape** : straight pull, flat, double butted
- **Shape** : straight pull, flat, double butted
- **Nipples** : steel, ABS
- **Nipples** : steel, ABS
- **Count** : 24 front and rear
- **Count** : 24 front and rear

WHEEL HUB

- **Front and rear bodies** : aluminum
 - **Front and rear bodies** : aluminum
 - **Axle material** : aluminum
 - **Axle material** : aluminum
- Auto adjust sealed cartridge bearings (QRM Auto), front and rear
Auto adjust sealed cartridge bearings (QRM Auto), front and rear
- **Freewheel** : Instant Drive 360
 - **Freewheel** : Instant Drive 360
 - **Front** : Quick release, 12x100 and 15x100 through axle compatible
 - **Front** : Quick release, 12x100 and 15x100 through axle compatible
 - **Rear** : Quick Release, 12x142 and 12x135 compatible
 - **Rear** : Quick Release, 12x142 and 12x135 compatible

VERSIONS

- **Color** : Black only
- **Disc standard** : Center Lock(R) only
- **Disc standard** : Center Lock(R) only

WHEEL WEIGHTS

935