

ASTM CATEGORY 3 : CROSS COUNTRY AND TRAIL RIDING

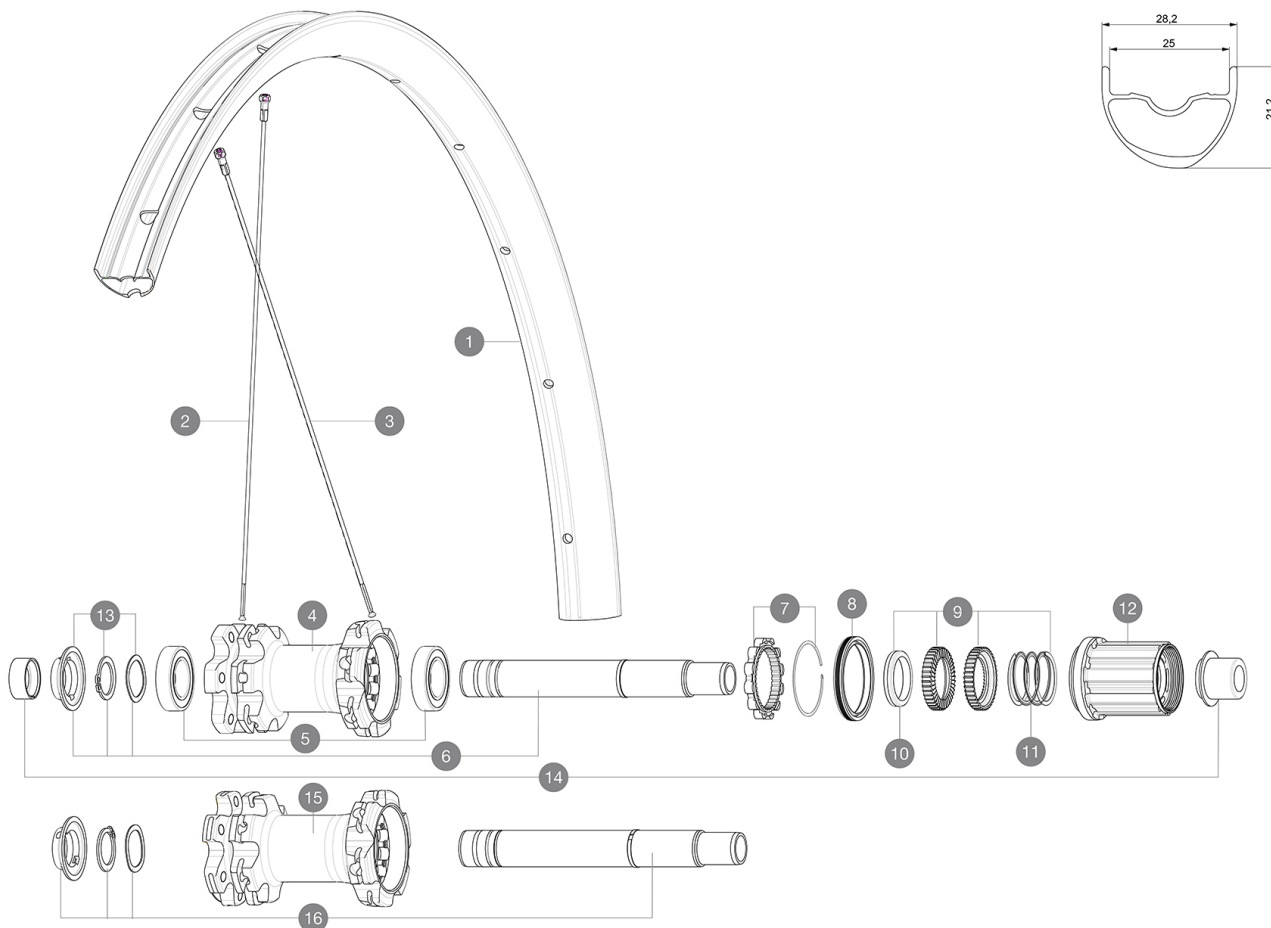
For a longer longevity of the wheel, Mavic recommends that the total weight supported by the wheels doesn't exceed 150kg, bike included

For a longer longevity of the wheel, Mavic recommends that the total weight supported by the wheels don't exceed 120kg, bike included

Recommended tyre sizes: 46mm to 64mm (1.8" to 2.5")

REFERENCES WHEELS

| | | | |
|--------|------------------------|--------|---------------------------|
| R24771 | Crossmax 27,5 Rr XD | R24791 | Crossmax 27,5 Rr Boost XD |
| R24781 | Crossmax 27,5 Rr Boost | R24761 | Crossmax 27,5 Rr |



RIMS



&NBSP;:

| | | |
|---|----------|--|
| 1 | V3762515 | KIT FRT/REAR RIM CROSSMAX 19 27,5" |
| | V2700101 | UST Tape 28mm for 25 to 27mm wide rims |

SPOKES

| | | |
|---|----------|--|
| 2 | 36690101 | "KIT 12 FT/NDS CROSSONE/CROSSMAX/XA 27,5"" SPK 278mm" |
| 3 | 36690201 | "KIT 12 DS XONE/CROSSRIDE FTSX/CROSSMAX/XA 27,5"" SPK 276mm" |

HUB SHELLS

| | | |
|----|----------|--|
| 4 | N/A | HUB BODY |
| 5 | M40076 | HUB BEARINGS 17x30x7 6903 x 2 |
| 6 | V2372101 | KIT ID360 135/142 D6T AXLE WITH CLIP |
| 7 | V2252701 | KIT ID360 INSERT SHAPED EAR LOBE > 2017 |
| 8 | V2251601 | KIT ID360 SEAL + GREASE |
| 9 | V2375201 | KIT ID360 24 TEETH 2 RATCHET + MTB SPRING + PAD (specific) |
| 10 | V2375401 | KIT ID360 MTB 24T 3 NOISE REDUCING PADS |
| 11 | V2372901 | KIT 3 ID360 MTB SPRINGS |
| 12 | V3740101 | XD MTB Freewheel Body ID360 |
| 12 | V3780101 | HG9 Alloy MTB Freewheel Body ID360 |
| 13 | V2373001 | KIT ADJUST. SYSTEM QRM AUTO ID360 for 17x30x7 bearing |
| 15 | N/A | HUB BODY |
| 16 | V2372201 | KIT ID360 148 D6T AXLE WITH CLIP |

OPTIONS

| | | |
|---|----------|---|
| 9 | V2372801 | KIT ID360 2x40 TEETH RATCHETS + MTB SPRING + GREASE + PAD |
|---|----------|---|

ADAPTERS

| | | |
|----|----------|------------------------------|
| 14 | V2510701 | ID360V2RrAxleAdapt12x142/148 |
| | V2510801 | ID360 V2 RrAxleAdapt9x135 |

MAVIC Crossmax

DELIVERED WITH

| | |
|-------------------------------------|--|
| Front QR adapters (non-boost wheel) | |
| Front QR adapters (non-boost wheel) | |
| Front QR adapters (non-boost wheel) | |
| Rear QR adapters (non-boost wheel) | |
| Rear QR adapters (non-boost wheel) | |
| Rear QR adapters (non-boost wheel) | |
| Tubeless rim tape | |
| Tubeless rim tape | |
| Tubeless rim tape | |
| User guide | |
| User guide | |
| User guide | |

COMPATIBILITY

| | |
|---|--|
| Freewheel: Shimano/Sram or XD | |
| Freewheel: Shimano/Sram or XD | |
| Front axle: convertible from 15mm thru axle to Quick Release with adapters (delivered with non-boost wheel) | |
| Front axle: convertible from 15mm thru axle to Quick Release with adapters (delivered with non-boost wheel) | |
| Front axle: convertible from 15mm thru axle to Quick Release with adapters (delivered with non-boost wheel) | |
| Rear axle: 12mm thru axle, convertible to Quick Release with adapters (delivered with non-boost wheel) | |
| Rear axle: 12mm thru axle, convertible to Quick Release with adapters (delivered with non-boost wheel) | |
| Rear axle: 12mm thru axle, convertible to Quick Release with adapters (delivered with non-boost wheel) | |
| Freewheel: Shimano Micro Spline | |
| Freewheel: Shimano Micro Spline | |

Specifications

RIMS

- **Material** : S6000 Aluminum
- **Material** : S6000 Aluminum
- **Material** : S6000 Aluminum
- **Joint** : sleeved
- **Joint** : sleeved
- **Joint** : sleeved
- **Drilling** : traditional
- **Drilling** : traditional
- **Drilling** : traditional
- **Valve hole diameter** : 6.5 mm
- **Valve hole diameter** : 6.5 mm
- **Valve hole diameter** : 6.5 mm
- **Tyre** : UST Tubeless and tubetype
- **Tyre** : UST Tubeless and tubetype
- **Tyre** : UST Tubeless and tubetype
- **ETRTO size 27.5"** : 584x25TSS
- **ETRTO size 27.5"** : 584x25TSS
- **ETRTO size 27.5"** : 584x25TSS
- **ETRTO size 29"** : 622x25TSS
- **ETRTO size 29"** : 622x25TSS
- **ETRTO size 29"** : 622x25TSS

Hookless profile

Download 11-07-16 / Update date: 2023-09-13

Hookless profile

WHEEL HUB

- **Front and rear bodies** : aluminum
 - **Front and rear bodies** : aluminum
 - **Front and rear bodies** : aluminum
 - **Axle material** : aluminum
 - **Axle material** : aluminum
 - **Axle material** : aluminum
- Auto adjust sealed cartridge bearings (QR Auto), front and rear
- Auto adjust sealed cartridge bearings (QR Auto), front and rear
- **Freewheel** : Instant Drive 360 steel
 - **Freewheel** : Instant Drive 360 steel
- 24 teeth ratchet
- Instant Drive 360
- QR Auto

VERSIONS

- **Color** : Black only
- **Color** : Black only
- **Disc standard** : 6 Bolts only
- **Disc standard** : 6 Bolts only
- **Disc standard** : 6 Bolts only
- **Hub width** : Boost (front 110, rear 148) or Non-Boost (front 100, rear 135/142)
- **Hub width** : Boost (front 110, rear 148) or Non-

WHEEL WEIGHTS

Weight Rear 27.5": 1008

Weight Rear 29": 1047