

MAVIC ALLROAD SL DISC

2021
REAR

ASTM CATEGORY 2 : road and offroad with jumps less than 15cm

For a longer longevity of the wheel, Mavic recommends that the total weight supported by the wheels doesn't exceed 120kg, bike included

Maximum tyre pressure: 4,6bar/67PSI with a 28mm tyre - 32,7bar/39PSI with a 64mm tyre

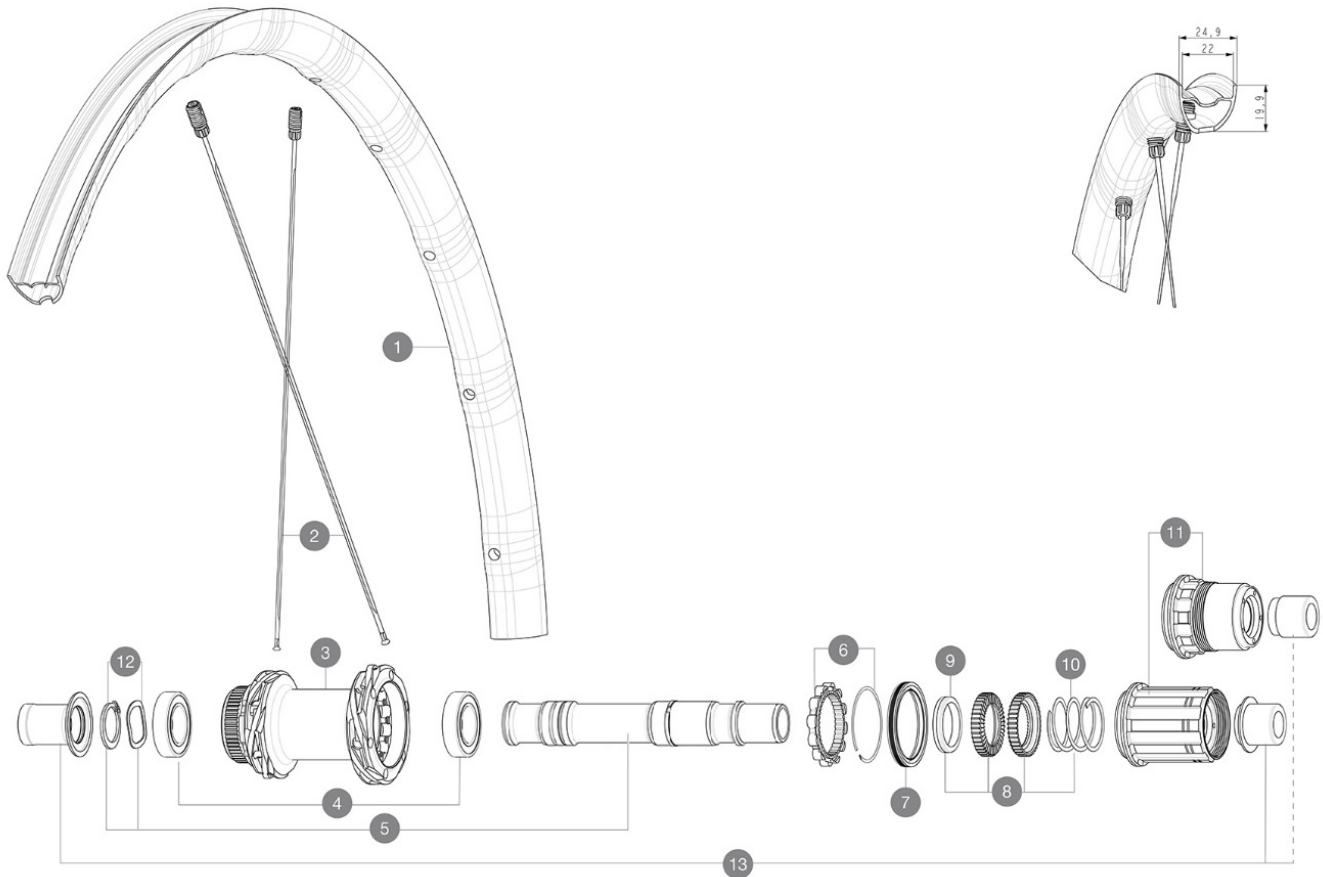
Recommended tyre sizes: 28 to 64 mm (1.1" to 2.5")

Max. Pressure: see indication on wheel and tyre. If they differ, use the lowest of the 2

REFERENCES WHEELS

R36881 ALL SL CL 700 12X142 M11

R39131 ALL SL CL 700 12X142 XDR



RIMS



&NBSP;:

1	V00097431	Kit Front/Rear rim Allroad SL 23
1	V4092015	Kit Front/Rear rim Allroad SL while stock lasts

SPOKES

2	V4162501	Kit 12 Front/Rear Allroad SL aero spoke 298 M7/7
---	----------	--

HUB SHELLS

3	N/A	HUB BODY
3	N/A	HUB BODY
4	M40076	HUB BEARINGS 17x30x7 6903 x 2
5	V00046431	KIT AXE ID360 142LIGHT CL+CIR
6	V2252701	KIT ID360 INSERT SHAPED EAR LOBE > 2017
7	V00063631	Kit ID360 seal version 2 (larger)
8	V2251701	KIT ID360 2 RATCHETS + SPRING + GREASE
9	V2500501	KIT ID360 3 PADS NOISE REDUCING
10	V2251801	KIT 3 ID360 ROAD SPRINGS
11	V2580101	FREEHUB BODY XD Road ID360
11	V3430101	HG11 Freewheel Body ID360
12	V2373001	KIT ADJUST. SYSTEM QRM AUTO ID360 for 17x30x7 bearing

OPTIONS

V2510801	ID360 V2 RrAxleAdapt9x135
V2510901	ID360 EVO RrAxleAdpt12x135/150
V2373401	KIT ID360 135/142 DCL L1 AXLE WITH CLIP
V2510701	ID360V2RrAxleAdapt12x142/148

ADAPTERS

13	V3811001	KIT ROAD ID360 RR CL ENDCAP (12MM)
----	----------	------------------------------------

MAVIC ALLROAD SL DISC

2021
REAR

DELIVERED WITH

UST valve and accessories (129 838 01)	
UST valve and accessories (129 838 01)	
User guide	
User guide	

COMPATIBILITY

Freewheel: Shimano/Sram, convertible to Campagnolo and XD-R with optional driver bodies	
Freewheel: Shimano/Sram, convertible to Campagnolo and XD-R with optional driver bodies	
Front axle: 12mm thru axle, easily convertible to quick release with optional adapters. Convertible to 15mm with complete axle replacement	
Front axle: 12mm thru axle, easily convertible to quick release with optional adapters. Convertible to 15mm with complete axle replacement	
Rear axle: 12mm thru axle, convertible to Quick Release with optional adapters	
Rear axle: 12mm thru axle, convertible to Quick Release with optional adapters	

Specifications

RIMS

- **Material** : Maxtal
 - **Material** : Maxtal
 - **Height** : 22 mm
 - **Height** : 22 mm
- SUP
Disc brake specific profile
Disc brake specific profile
- **Weight reduction** : ISM 4D
 - **Weight reduction** : ISM 4D
 - **Tire** : UST Tubeless and tubetype
 - **Tire** : UST Tubeless and tubetype
 - **Internal width** : 22 mm
 - **Internal width** : 22 mm
 - **ETRTO size** : 622x22TSS ROAD
 - **ETRTO size** : 622x22TSS ROAD
- Hookless profile
Hookless profile
Fore
Fore
UST
UST
SUP

SPOKES

- **Material** : steel
- **Material** : steel
- **Shape** : straight pull, elliptical aero, double butted (patented)
- **Shape** : straight pull, elliptical aero, double butted (patented)
- **Nipples** : Fore integrated aluminum
- **Nipples** : Fore integrated aluminum
- **Count** : 24 front and rear
- **Count** : 24 front and rear
- **Lacing** : front and rear crossed 2, contactless
- **Lacing** : front and rear crossed 2, contactless

WHEEL HUB

- Infinity Hub
- **Front and rear bodies** : aluminum
 - **Axle material** : aluminum
- Instant Drive 360
QRM Auto
- **Front and rear bodies** : aluminum
 - **Front** : Quick release, 12x100 and 15x100 through axle compatible
 - **Axle material** : aluminum
 - **Rear** : Quick Release, 12x142 and 12x135 compatible
- Hub available for Center Lock brake rotors only
- **Front** : Quick release, 12x100 and 15x100 through axle compatible
 - **Rear** : Quick Release, 12x142 and 12x135 compatible
- Infinity Hub
Instant Drive 360
QRM Auto

VERSIONS

- **Disc standard** : Center Lock (R) only
- **Disc standard** : Center Lock (R) only
- **Freewheel** : Shimano/Sram or XD-Road
- **Freewheel** : Shimano/Sram

WHEEL WEIGHTS

850