

# MAVIC COSMIC SL 45 LTD

1  
2023  
FRONT

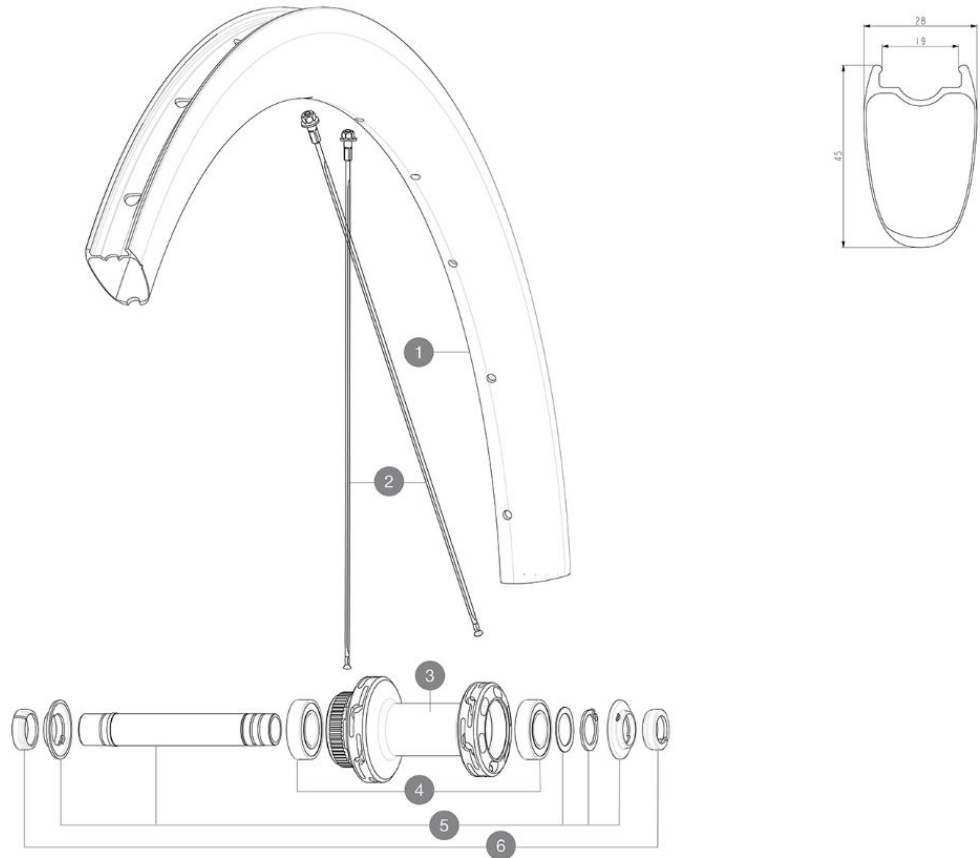
## RÉFÉRENCES ROUES

ASTM CATEGORY 2 : road and offroad with jumps less than 15cm

For a longer longevity of the wheel, Mavic recommends that the total weight supported by the wheels doesn't exceed 120kg, bike included

Recommended tire sizes: 25 to 32 mm

Max. Pressure: see indication on wheel and tire. If they differ, use the lowest of the 2



### JANTES



&NBSP;:

1	V00062931	Kit Front/Rear rim Cosmic SL45 Ltd
	V3720101	25mm UST Tape for 19 to 22mm Road Rims

### RAYONS

2	V4162901	Kit 12 Front/Rear Cosmic SL 45 Disc butted stainless spoke 2
---	----------	--

### MOYEUX

3	N/A	CORPS DE MOYEU
4	M40129	KIT 2 BEARINGS 6902 15x28x7
5	V2373301	KIT QRM AUTO FRONT AXLE 12mm > 2019

### ADAPTATEURS

6	V2680501	12mm Road Axle Cap QRM Auto
	V2680301	Kit Ft Road Adapter 12 >> 9mm

# MAVIC COSMIC SL 45 LTD

## LIVRE AVEC

Front QR adapters	
Rear QR adapters for Instant Drive 360 (B49 894 01)	
UST valve and accessories (129 838 01)	
Pre-installed tubeless rim tape	
User guide	

## COMPATIBILITE

Freewheel: Shimano/Sram, convertible to Campagnolo ED11, N3W and XD-R with optional driver bodies	
Front axle: 12x100 thru axle, easily convertible to quick release with included adapters. Not compatible with 15mm through axles.	
Rear axle: 12mm thru axle, convertible to Quick Release with included adapters	

## Spécifications

### JANTES

- **Material** : 100% carbon fiber
  - **Height** : 45 mm
  - **Drilling** : traditional
- Disc brake specific profile
- **Tire** : UST Tubeless and tubetype
  - **Internal width** : 19 mm
  - **ETRTO size** : 622x19TC
- UST tubeless technology

### RAYONS

- **Material** : steel
- **Shape** : straight pull, flat, double butted
- **Nipples** : brass, ABS
- **Count** : 24 front and rear
- **Lacing** : front and rear crossed 2, contactless

### MOYEURS

- **Front and rear bodies** : aluminum
  - **Axle material** : aluminum
  - **Front** : Quick release and 12x100 through axle compatible
  - **Rear** : Quick Release, 12x142 and 12x135 compatible
- Infinity hubs  
Moyeu disponible avec disque de frein CenterLock uniquement  
Instant Drive 360 freewheel technology  
QRM Auto bearing preload technology

### VERSIONS

- **Disc standard** : Center Lock only
- **Freewheel** : Shimano/Sram

### POIDS ROUES

730