

## ASTM CATEGORY 3 : CROSS COUNTRY

For a longer longevity of the wheel, Mavic recommends that the total weight supported by the wheels doesn't exceed 150kg, bike included

Recommended tyre sizes: 50mm to 76mm (2.0" to 3.0")

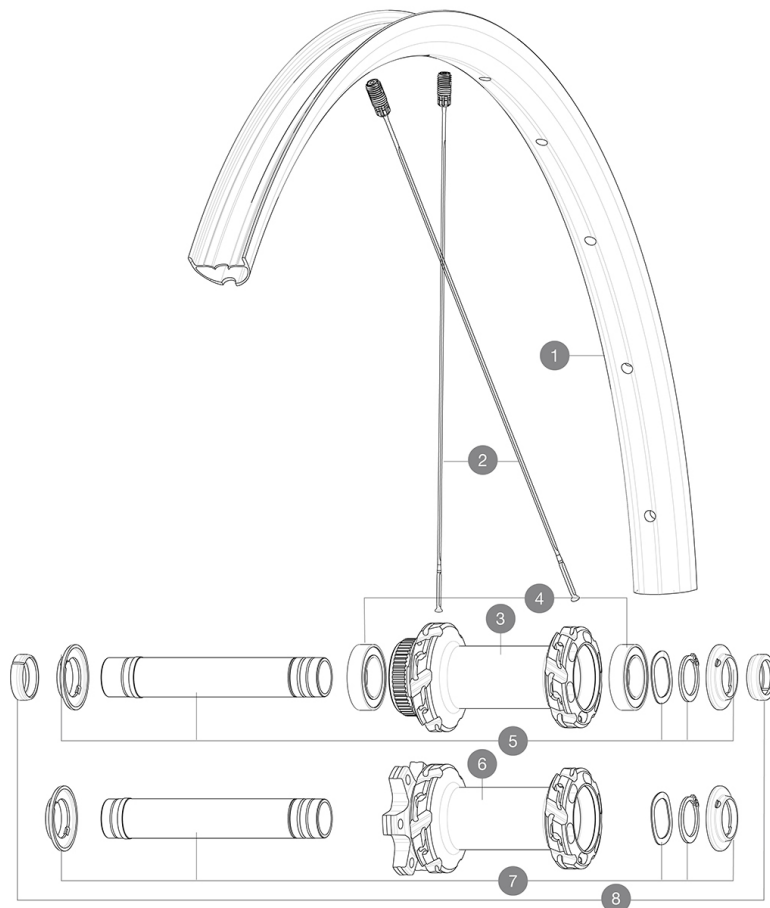
Maximum tyre pressure: 4.1bar/59PSI with a 28mm tyre - 2.45bar/36PSI with a 64mm tyre

Recommended tire sizes: 28 to 64 mm (1.1" to 2.5")

## REFERENZEN RÄDER

F90452 XMAX SL INT 29 BST

F91952 XMAX SL CL 29 BST



## RIMS



&NBSP;:

1 V3765715 Kit Front/Rear rim Crossmax SL 21 29"

## SPOKES

2 V2388301 Kit 12 Front/Rear Crossmax SL/SLS/XL/XLS 29" butted spoke 2

## HUB SHELLS

3 N/A NABENKÖRPER  
4 V2500901 KIT BEARINGS 18x30x7 + WAVED WASHER + CLIP  
5 V2375601 Kit 110mm axle QRM auto MTB from 2019 DCL  
6 N/A NABENKÖRPER  
7 V2372401 KIT 110mm AXLE QRM AUTO MTB > 2019

## OPTIONS

V2374401 TORQUE CAPS 15\*31 Adapter MTB QRM Auto > 2019 Frt HUB

## ADAPTERS

8 V2372501 15mm MTB Axle Cap QRM Auto From 2019  
99694101 2 REDUCERS 15/9mm

## GELIEFERT MIT

2 replacement spokes with each wheel	
UST valve and accessories (129 838 01)	
UST valve and accessories (129 838 01)	
UST valve and accessories (129 838 01)	
UST valve and accessories (129 838 01)	
Multifunction adjustment wrench (delivered with rear wheel) (325 423 01)	
Multifunction adjustment wrench (delivered with rear wheel) (325 423 01)	
Multifunction adjustment wrench (delivered with rear wheel) (325 423 01)	
Multifunction adjustment wrench (delivered with rear wheel) (325 423 01)	
Multifunction adjustment wrench (delivered with rear wheel) (325 423 01)	
Bedienungsanleitung	
2 replacement spokes with each wheel	
2 replacement spokes with each wheel	
Fore adjustment wrench	
Fore adjustment wrench	
2 replacement spokes with each wheel	

## COMPATIBILITY

Freewheel: Shimano HG9, XD or Micro Spline	
Front axle: 15x110 Boost thru axle	
Rear axle: 12x148 Boost thru axle	
Freilaufkörper: SHIMANO HG MTB Stahl-konverter (Kit V3790101 separat erhältlich)	
Adapter Hinterachse: 12x148 umwandelbar in 9x141 (Kit V2510801 separat erhältlich)	
Front axle: 15x110 Boost thru axle	
Freewheel: Shimano HG9, XD or Micro Spline	
Freewheel: Shimano HG9, XD or Micro Spline	
Rear axle: 12x148 Boost thru axle	
Rear axle: 12x148 Boost thru axle	
Front axle: 15x110 Boost thru axle	
Front axle: convertible from 15mm thru axle to Quick Release with adapters (delivered with non-boost wheel)	
VR-Achse: nur für Schraubmuttern (im Lieferumfang enthalten), M10x1-Gewinde	

## Specifications

### FELGEN

- **Material** : Mxstal
- **Material** : S6000 Aluminum
- **Material** : Mxstal
- **Material** : Mxstal
- **Material** : Mxstal
- **Material** : S6000 Aluminum
- **Tire** : UST Tubeless and tubetype
- **Material** : S6000 Aluminum
- **Internal width** : 25 mm
- **ETRTO size 29"** : 622x25TSS

### RADNABE

- **Körpermaterial** : aluminium
- Infinity Hub
- **Körperdesign** : INFINITY
- **Axles** : Front 15X110 Boost ; Rear 12X148 Boost
- **Standard Disc** : 6 Löcher oder Center Lock®
- Hub available with 6-bolt or center lock (R) brake rotors
- **Material der Achse** : Aluminium
- **Achsgrößen** : vorne 15x110 / hinten 12x148
- **Freilauftechnologie** : Instant Drive 360

### RADGEWICHTE

785