

ASTM CATEGORY 4 : ENDURO AND TRAIL RIDING

For a longer longevity of the wheel, Mavic recommends that the total weight supported by the wheels doesn't exceed 150kg, bike included

Recommended tyre sizes: 60mm to 76mm (2.35" to 3.0")

Maximum tyre pressure: 2.95bar/43PSI with a 52mm tyre - 1.55bar/22PSI with a 125mm tyre

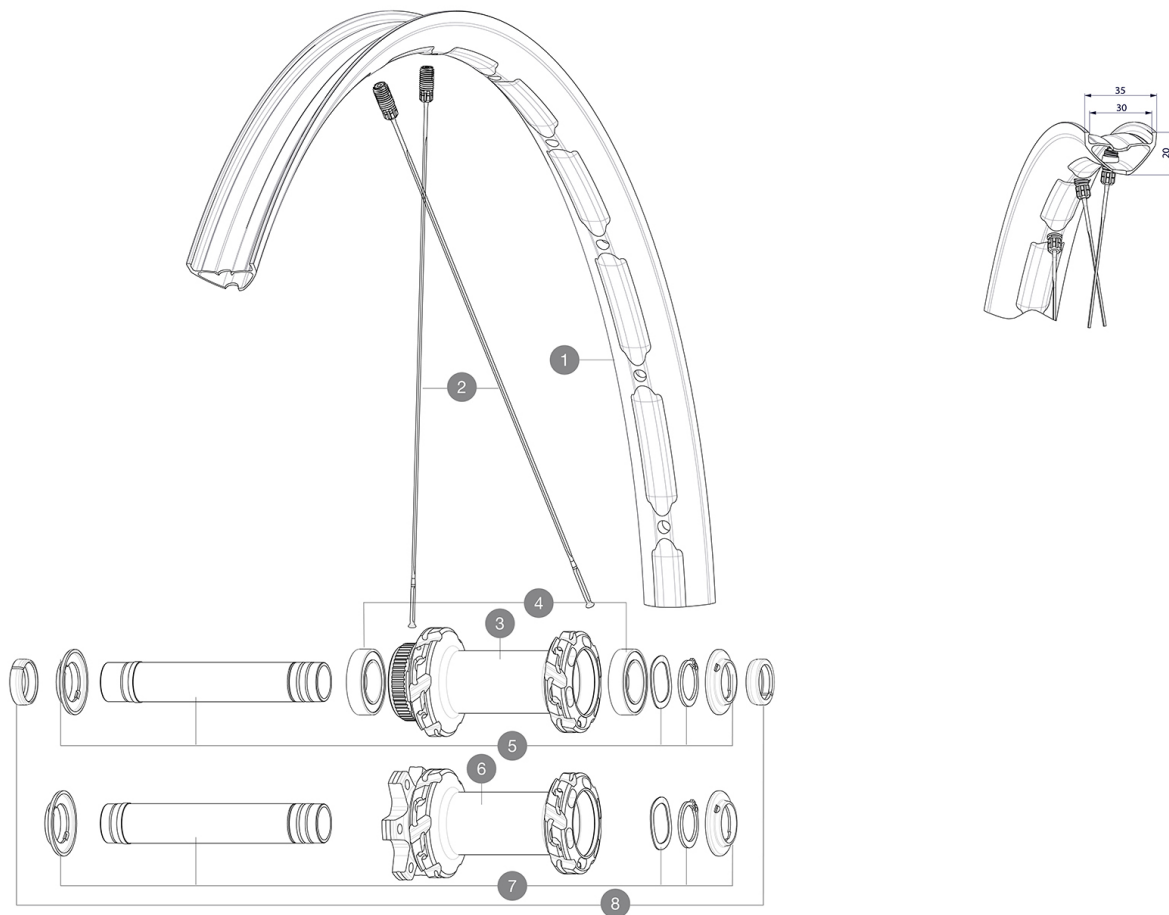
Mindestgröße des Reifens: Breite 52mm - max. Druck 2.95Bar/43PSI

Non-Boost : 12 to 9mm rear adapter for quick release ([V2510801] - Delivered with the wheel)

REFERENZEN RÄDER

F90493 XMAX XLS INT 29 BST

F91972 XMAX XLS CL 29 BST



RIMS



&NBSP;:

1 V3765915 Kit Front/Rear rim Crossmax XLS 29"

SPOKES

2 V2388301 Kit 12 Front/Rear Crossmax SL/SLS/XL/XLS 29" butted spoke 2

HUB SHELLS

3 N/A NABENKÖRPER
4 V2500901 KIT BEARINGS 18x30x7 + WAVED WASHER + CLIP
5 V2375601 Kit 110mm axle QRM auto MTB from 2019 DCL
6 N/A NABENKÖRPER
7 V2372401 KIT 110mm AXLE QRM AUTO MTB > 2019

OPTIONS

V2374401 TORQUE CAPS 15*31 Adapter MTB QRM Auto > 2019 Frt HUB

ADAPTERS

8 V2372501 15mm MTB Axle Cap QRM Auto From 2019
99694101 2 REDUCERS 15/9mm

GELIEFERT MIT

| | |
|---|--|
| Bedienungsanleitung | |
| 2 replacement spokes with each wheel | |
| UST valve and accessories (129 838 01) | |
| UST valve and accessories (129 838 01) | |
| UST valve and accessories (129 838 01) | |
| UST valve and accessories (129 838 01) | |
| Multifunction adjustment wrench (delivered with rear wheel) (325 423 01) | |
| Multifunction adjustment wrench (delivered with rear wheel) (325 423 01) | |
| Multifunction adjustment wrench (delivered with rear wheel) (325 423 01) | |
| Multifunction adjustment wrench (delivered with rear wheel) (325 423 01) | |
| Bedienungsanleitung | |
| UST valve and accessories (129 838 01) | |
| 2 replacement spokes with each wheel | |
| Multifunction adjustment wrench (delivered with rear wheel) (325 423 01) | |
| Fore adjustment wrench | |
| Fore adjustment wrench | |
| 2 replacement spokes with each wheel | |
| 2 replacement spokes with each wheel | |

COMPATIBILITY

| | |
|---|--|
| Freewheel: Shimano HG9, XD or Micro Spline | |
| Front axle: 15x110 Boost thru axle | |
| Rear axle: 12x148 Boost thru axle | |
| Freilaufkörper: SHIMANO HG MTB Stahl-konverter (Kit V3790101 separat erhältlich) | |
| Freilaufkörper: SHIMANO HG MTB Stahl-konverter (Kit V3790101 separat erhältlich) | |
| Boost & Non-Boost: VR-Adapter 20>15 mm/Steckachse (12982801) | |
| VR-Achse: nur f¼r Schraubmuttern (im Lieferumfang enthalten), M10x1-Gewinde | |
| Adapter Hinterachse: 12x148 umwandelbar in 9x141 (Kit V2510801 separat erhältlich) | |
| Adapter Hinterachse: 12x148 umwandelbar in 9x141 (Kit V2510801 separat erhältlich) | |
| Freewheel: Shimano HG9, XD or Micro Spline | |
| Freewheel: Shimano HG9, XD or Micro Spline | |
| Rear axle: 12x148 Boost thru axle | |
| Rear axle: 12x148 Boost thru axle | |
| Front axle: 15x110 Boost thru axle | |
| Front axle: 15x110 Boost thru axle | |
| Front axle: convertible from 15mm thru axle to Quick Release with adapters (delivered with non-boost wheel) | |
| VR-Achse: nur f¼r Schraubmuttern (im Lieferumfang enthalten), M10x1-Gewinde | |