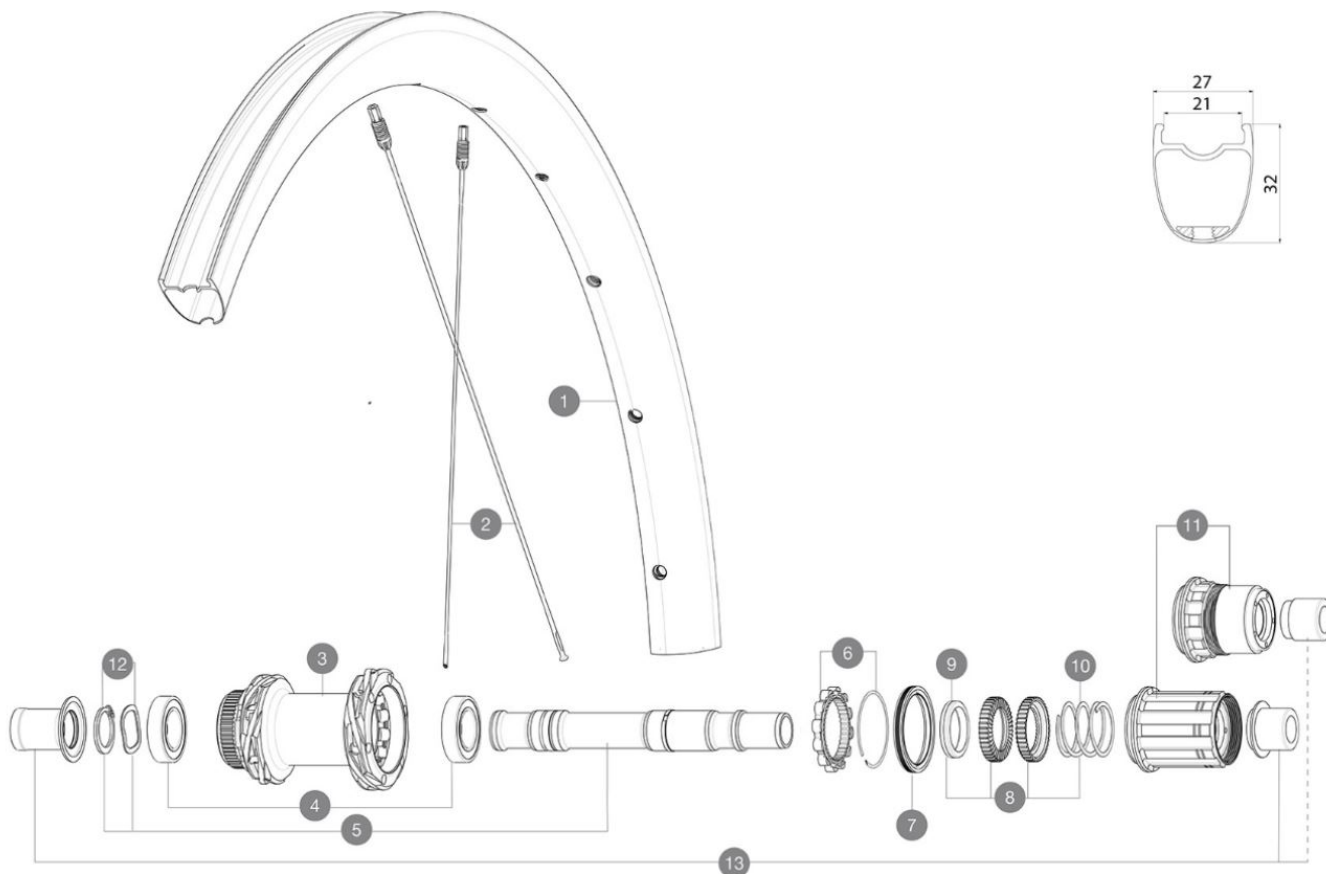


ASTM CATEGORY 2 : road and offroad with jumps less than 15cm  
 For a longer longevity of the wheel, Mavic recommends that the total weight supported by the wheels doesn't exceed 120kg, bike included  
 Recommended tire sizes: 25 to 32 mm  
 Max. Pressure: see indication on wheel and tire. If they differ, use the lowest of the 2

## RÉFÉRENCES ROUES



### JANTES



&NBSP;:

1 V00063431 Kit Front/Rear rim Cosmic SLR32 Ltd

### RAYONS

2 V4164801 Kit 12 CosmicSLR32 Disc aero sspk M6 291

### MOYEURS

3	N/A	CORPS DE MOYEU
3	N/A	CORPS DE MOYEU
4	M40076	HUB BEARINGS 17x30x7 6903 x 2
5	V00046431	KIT AXE ID360 142LIGHT CL+CIR
6	V2252701	KIT ID360 INSERT SHAPED EAR LOBE > 2017
7	V00063631	Kit ID360 seal version 2 (larger)
8	V2251701	ID360 2 RATCHETS + SPRING + GREASE
9	V2500501	Kit 3 ID360 pad for noise reduction
10	V2251801	KIT 3 ID360 ROAD SPRINGS
11	V2580101	FREEHUB BODY XD Road ID360
11	V3430101	HG11 Freewheel Body ID360
12	V2373001	KIT ADJUST. SYSTEM QRM AUTO ID360 for 17x30x7 bearing

### OPTIONS

V2373401 KIT ID360 135/142 DCL L1 AXLE WITH CLIP

### ADAPTATEURS

13	V3811001	KIT ROAD ID360 RR CL ENDCAP (12MM)
	V2510901	ID360 EVO REAR AXLE ADAPTERS 12x135mm DCL & D6T
	V2510801	ID360 EVO REAR AXLE ADAPTERS 9x135mm DCL & D6T

# MAVIC COSMIC SLR 32 LTD

2023  
REAR

## LIVRE AVEC

UST valve and accessories (129 838 01)	
User guide	

## COMPATIBILITE

Freewheel: Shimano/Sram, convertible to Campagnolo ED11, N3W and XD-R with optional driver bodies	
Rear axle: 12mm thru axle, convertible to Quick Release with optional adapters and axle replacement	
Front axle: 12x100 thru axle, easily convertible to quick release with optional adapters. Not compatible with 15mm through axles	

## Spécifications

### JANTES

- **Material** : 100% carbon fiber with UD<sup>2</sup> external layer
  - **Material** : 100% carbon fiber
  - **Height** : 32mm
- Disc brake specific profile
- **Tire** : UST Tubeless and tubetype
  - **Internal width** : 21 mm
  - **ETRTO size** : 622x21TC
- Fore Carbon tapeless tubeless technology  
UST tubeless technology

### RAYONS

- **Material** : steel
- **Shape** : straight pull, elliptical aero, double butted (patented)
- **Nipples** : Fore integrated aluminum
- **Count** : 24 front and rear
- **Lacing** : front and rear crossed 2, contactless

### MOYEUX

- **Front and rear bodies** : aluminum
  - **Axle material** : aluminum
  - **Front** : Quick release and 12x100 through axle compatible
  - **Rear** : Quick Release, 12x142 and 12x135 compatible
- Infinity hubs  
Moyeu disponible avec disque de frein Center Lock uniquement  
Instant Drive 360 freewheel technology  
QRM Auto bearing preload technology

### VERSIONS

- **Disc standard** : Center Lock<sup>®</sup> only
- **Freewheel** : Shimano/Sram

### POIDS ROUES

760