

# MAVIC ALLROAD S DISC

2021  
REAR

ASTM CATEGORY 2 : road and offroad with jumps less than 15cm

For a longer longevity of the wheel, Mavic recommends that the total weight supported by the wheels doesn't exceed 120kg, bike included

Recommended tyre sizes: 28 to 64 mm (1.1" to 2.5")

Max. Pressure: see indication on wheel and tyre. If they differ, use the lowest of the 2

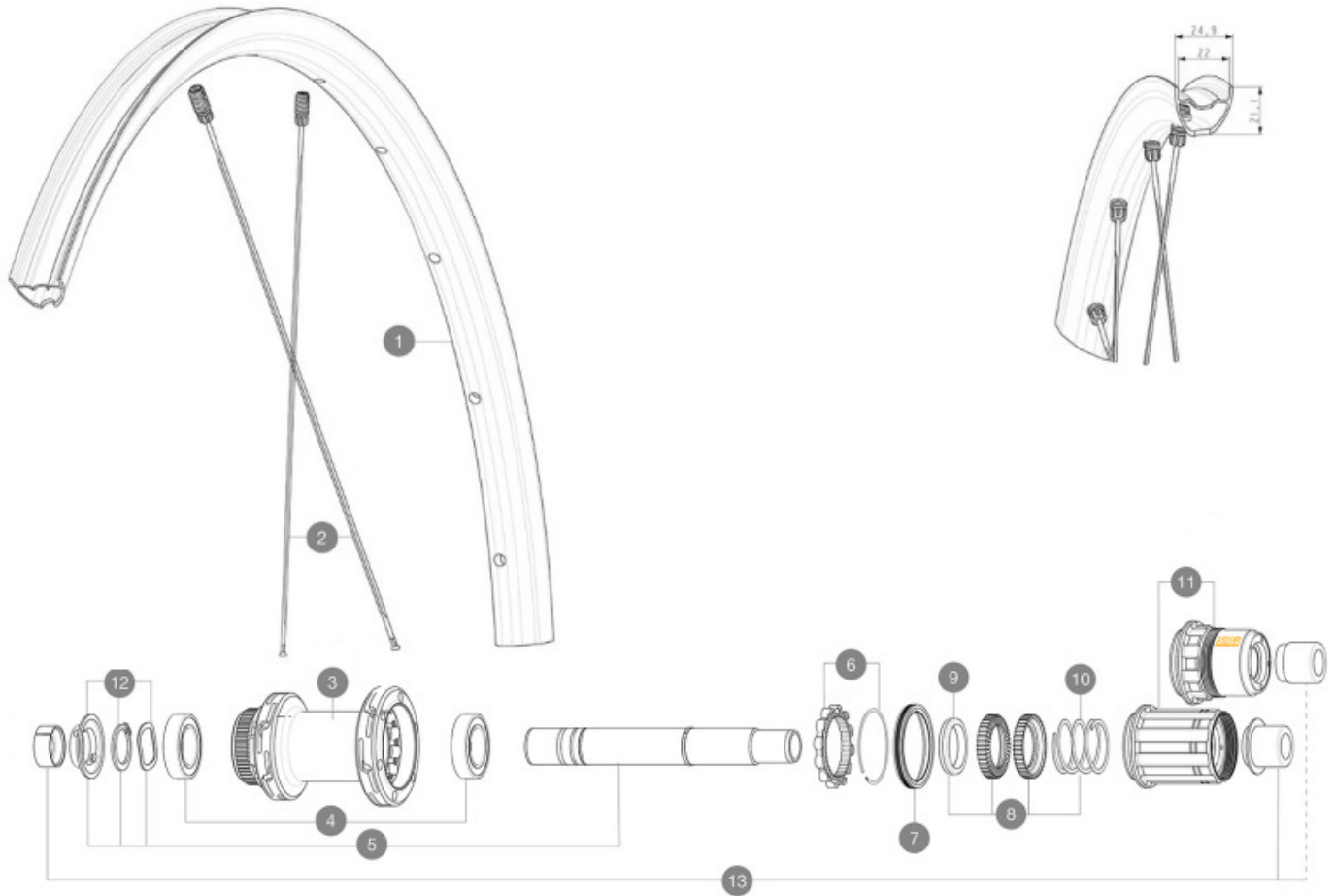
Maximum tyre pressure: 4.6bar/67PSI with a 28mm tyre - 32.7bar/39PSI with a 64mm tyre

## REFERENZEN RÄDER

R36751 ALLROAD S CL 700 12X142 M11

R38891

ALLROAD S CL 700 12X142 XDR



## RIMS



&NBSP::

- |   |           |  |
|---|-----------|--|
| 1 | V4092115  | Kit Front/Rear rim Allroad S while stock lasts |
| 1 | V00097531 | Kit Front/Rear rim Allroad S 23                |

## SPOKES

- |   |          |   |
|---|----------|---|
| 2 | V4162601 | Kit 12 Front/Rear Allroad S flat spoke 298 M7/7 |
|---|----------|---|

## HUB SHELLS

- |    |           |   |
|----|-----------|---|
| 3  | N/A       | NABENKÖRPER   |
| 3  | N/A       | NABENKÖRPER   |
| 4  | M40076    | HUB BEARINGS 17x30x7 6903 x 2                         |
| 5  | V2373401  | KIT ID360 135/142 DCL L1 AXLE WITH CLIP               |
| 6  | V2252701  | KIT ID360 INSERT SHAPED EAR LOBE > 2017               |
| 7  | V00063631 | Kit ID360 seal version 2 (larger)                     |
| 8  | V2251701  | ID360 2 RATCHETS + SPRING + GREASE                    |
| 9  | V2500501  | Kit 3 ID360 pad for noise reduction                   |
| 10 | V2251801  | KIT 3 ID360 ROAD SPRINGS                              |
| 11 | V3430101  | HG11 Freewheel Body ID360                             |
| 11 | V2580101  | FREEHUB BODY XD Road ID360                            |
| 12 | V2373001  | KIT ADJUST. SYSTEM QRM AUTO ID360 for 17x30x7 bearing |

## OPTIONS

- |          |   |
|----------|---|
| V2510801 | ID360 EVO REAR AXLE ADAPTERS 9x135mm DCL & D6T  |
| V2510901 | ID360 EVO REAR AXLE ADAPTERS 12x135mm DCL & D6T |

## ADAPTERS

- |    |          |                                    |
|----|----------|------------------------------------|
| 13 | V3811001 | KIT ROAD ID360 RR CL ENDCAP (12MM) |
|----|----------|------------------------------------|

# MAVIC ALLROAD S DISC

## GELIEFERT MIT

UST valve and accessories (129 838 01)	
UST valve and accessories (129 838 01)	
UST valve and accessories (129 838 01)	
Multifunktions-Einstellschlüssel (325 423 01)	
User guide	
User guide	
User guide	

## COMPATIBILITY

Freewheel: Shimano/Sram, convertible to Campagnolo and XD-R with optional driver bodies	
Freewheel: Shimano/Sram, convertible to Campagnolo and XD-R with optional driver bodies	
Freewheel: Shimano/Sram, convertible to Campagnolo and XD-R with optional driver bodies	
VR-Achse: 12x100 mm, umrüstbar auf Schnellspanner (mit beiliegenden Adaptern). Umrüstung auf 15x100 mm durch Austausch der kompletten Achse möglich	
VR-Achse: 12x100 mm, umrüstbar auf Schnellspanner (mit beiliegenden Adaptern). Umrüstung auf 15x100 mm durch Austausch der kompletten Achse möglich	
VR-Achse: 12-mm-Steckachse, mit optionalen Adaptern einfach auf Schnellspanner umrüstbar. Umrüstung auf 15-mm-Steckachse durch Austausch der kompletten Achse	
Rear axle: 12mm thru axle, convertible to Quick Release with optional adapters	
Rear axle: 12mm thru axle, convertible to Quick Release with optional adapters	
Rear axle: 12mm thru axle, convertible to Quick Release with optional adapters	

## Specifications

### FELGEN

- **Material** : Maxtal
  - **Height** : 22 mm
- Disc brake specific profile
- **Material** : Maxtal
  - **Material** : Maxtal
  - **Tire** : UST Tubeless and tubetype
  - **Height** : 22 mm
  - **Height** : 22 mm
  - **Internal width** : 22 mm
  - **ETRTO size** : 622x22TSS ROAD
- Hookless profile
- Disc brake specific profile
- Disc brake specific profile
- **Tire** : UST Tubeless and tubetype
  - **Tire** : UST Tubeless and tubetype
  - **Internal width** : 22 mm
  - **Internal width** : 22 mm
  - **ETRTO size** : 622x22TSS ROAD
  - **ETRTO size** : 622x22TSS ROAD
- Hookless profile
- Hookless profile
- Fore
- Fore
- UST
- UST
- UST
- SUP
- SUP
- SUP

### SPEICHEN

- **Material** : steel
- **Material** : steel
- **Material** : steel

### RADNABE

- **Front and rear bodies** : aluminum
  - **Front and rear bodies** : aluminum
  - **Front and rear bodies** : aluminum
  - **Axle material** : aluminum
  - **Axle material** : aluminum
  - **Axle material** : aluminum
- Infinity Hub
- **Front** : Quick release, 12x100 and 15x100 through axle compatible
  - **Front** : Quick release, 12x100 and 15x100 through axle compatible
  - **Front** : Quick release, 12x100 and 15x100 through axle compatible
  - **Rear** : Quick Release, 12x142 and 12x135 compatible
  - **Rear** : Quick Release, 12x142 and 12x135 compatible
  - **Rear** : Quick Release, 12x142 and 12x135 compatible
- Infinity Hub
- Infinity Hub
- Nabe nur für Center-Lock-Bremsscheiben erhältlich
- Instant Drive 360
- Instant Drive 360
- Instant Drive 360
- QRM Auto
- QRM Auto
- QRM Auto

### VERSIONS

- **Disc standard** : Center Lock (R) only
- **Disc standard** : Center Lock (R) only
- **Disc standard** : Center Lock (R) only
- **Freewheel** : Shimano/Sram or XD-Road

### RADGEWICHTE

935