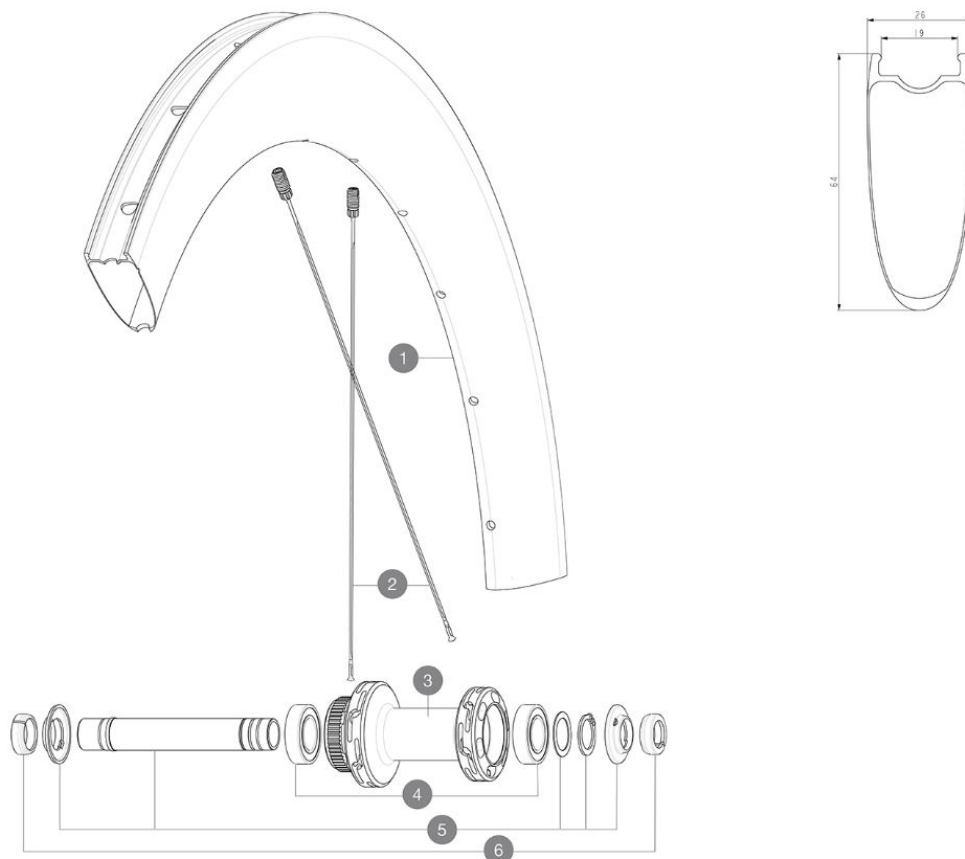


ASTM CATEGORY 2 : road and offroad with jumps less than 15cm  
 For a longer longevity of the wheel, Mavic recommends that the total weight supported by the wheels doesn't exceed 120kg, bike included  
 Recommended tire sizes: 25 to 32 mm  
 Max. Pressure: see indication on wheel and tire. If they differ, use the lowest of the 2

## REFERENCES WHEELS



### RIMS



&NBSP;:

1	V00062731	Kit Front/Rear rim Cosmic SL65 Ltd
	V2620101	UST RIM TAPE 25mm (for 21-24mm wide rim)

### SPOKES

2	V4163301	Kit 12 Front/Rear Cosmic SL 65 Disc butted stainless spoke 2
---	----------	--

### HUB SHELLS

3	N/A	HUB BODY
4	M40129	KIT 2 BEARINGS 6902 15x28x7
5	V2373301	KIT QRM AUTO FRONT AXLE 12mm > 2019

### ADAPTERS

6	V2680501	12mm Road Axle Cap QRM Auto
	V2680301	"Kit Ft Road Adapter 12 >> 9mm"

# MAVIC COSMIC SL 65 LTD

## DELIVERED WITH

Front QR adapters	
Rear QR adapters for Instant Drive 360 (B49 894 01)	
UST valve and accessories (129 838 01)	
Pre-installed tubeless rim tape	
User guide	

## COMPATIBILITY

Freewheel: Shimano/Sram, convertible to Campagnolo ED11, N3W and XD-R with optional driver bodies	
Front axle: 12x100 thru axle, easily convertible to quick release with included adapters. Not compatible with 15mm through axles.	
Rear axle: 12mm thru axle, convertible to Quick Release with included adapters	

## Specifications

### RIMS

- **Material** : 100% carbon fiber
  - **Height** : 64mm
  - **Drilling** : traditional
- Disc brake specific profile
- **Tire** : UST Tubeless and tubetype
  - **Internal width** : 19 mm
  - **ETRTO size** : 622x19TC
- UST tubeless technology

### SPOKES

- **Material** : steel
- **Shape** : straight pull, flat, double butted
- **Nipples** : brass, ABS
- **Count** : 24 front and rear
- **Lacing** : front and rear crossed 2, contactless

### WHEEL HUB

- Infinity hubs
- **Front and rear bodies** : aluminum
  - **Axle material** : aluminum
- Instant Drive 360 freewheel technology  
QRM Auto bearing preload technology
- **Front** : Quick release and 12x100 through axle compatible
  - **Rear** : Quick Release, 12x142 and 12x135 compatible
- Hub available for Center Lock brake rotors only

### VERSIONS

- **Disc standard** : Center Lock® only
- **Freewheel** : Shimano/Sram

### WHEEL WEIGHTS

820