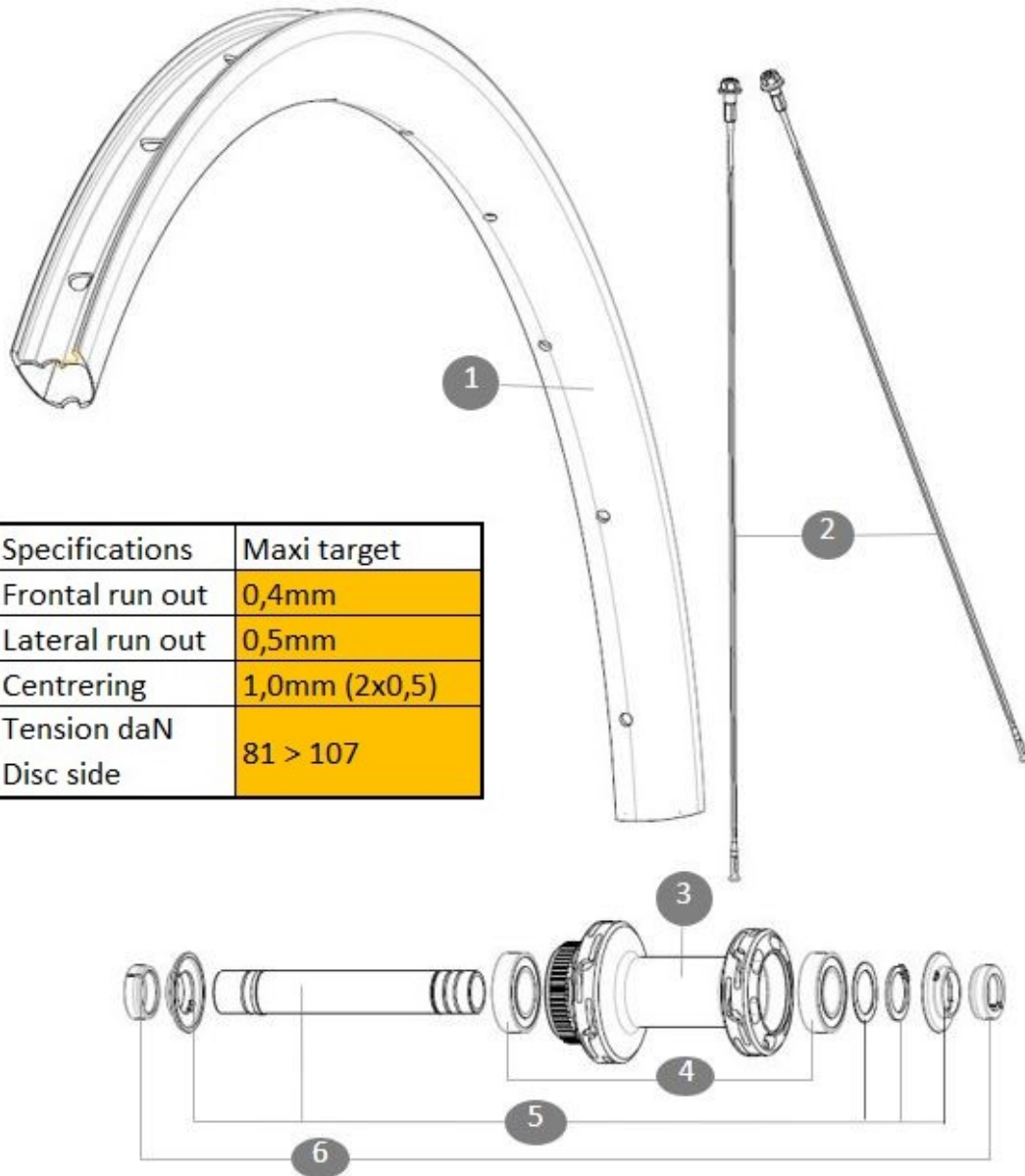


**MAVIC** **COSMIC SL 32 BG****REFERENCES WHEELS**

ASTM CATEGORY 2 : road and offroad with jumps less than 15cm

For a longer longevity of the wheel, Mavic recommends that the total weight supported by the wheels doesn't exceed 120kg, bike included



| Specifications  | Maxi target   |
|-----------------|---------------|
| Frontal run out | 0,4mm         |
| Lateral run out | 0,5mm         |
| Centring        | 1,0mm (2x0,5) |
| Tension daN     | 81 > 107      |
| Disc side       |               |

**RIMS**

&amp;NBSP;:

- |   |          |  |
|---|----------|--|
| 1 | V4093215 | Kit Front/Rear rim Cosmic SL 32 Disc while stock lasts |
|   | V2620101 | UST RIM TAPE 25mm (for 21-24mm wide rim)               |

**SPOKES**

- |   |          |  |
|---|----------|--|
| 2 | V4163401 | Kit 12 Front/Rear Cosmic SL 32 Disc butted stainless spoke 2 |
|---|----------|--|

**HUB SHELLS**

- |   |          |                                     |
|---|----------|-------------------------------------|
| 3 | N/A      | HUB BODY                            |
| 4 | M40129   | KIT 2 BEARINGS 6902 15x28x7         |
| 5 | V2373301 | KIT QRM AUTO FRONT AXLE 12mm > 2019 |

**OPTIONS**

- |          |                             |
|----------|-----------------------------|
| V2680501 | 12mm Road Axle Cap QRM Auto |
|----------|-----------------------------|

**ADAPTERS**

- |   |          |                                 |
|---|----------|---------------------------------|
| 6 | V2680301 | "Kit Ft Road Adapter 12 >> 9mm" |
|---|----------|---------------------------------|

**DELIVERED WITH**

|   |  |
|---|--|
| Front QR adapters                                   |  |
| Rear QR adapters for Instant Drive 360 (B49 894 01) |  |
| UST valve and accessories (129 838 01)              |  |
| Pre-installed tubeless rim tape                     |  |
| User guide  |  |

**COMPATIBILITY**

|   |  |
|---|--|
| Freewheel body: convertible SRAM XD road (kit V2580101 sold separately)   |  |
| Freewheel body: convertible SHIMANO HG light road (kit V3850101 sold separately)  |  |
| Freewheel body: convertible SHIMANO MS (kit V3990101 sold separately)   |  |
| Freewheel body: convertible CAMPAGNOLO ED (kit V3440101 sold separately)  |  |
| Freewheel body: convertible CAMPAGNOLO N3W (kit V4270101 sold separately)   |  |
| FTS-L Shimano / Sram freewheel body ([30871101] - Delivered on the wheel)   |  |
| ID360 Shimano steel freewheel body (V3790101)   |  |
| ID360 Sram XD freewheel body (V3740101)   |  |
| Rear axle: for fixing nuts only (included), M9x1 thread   |  |
| ID360 Shimano Micro Spline alloy freewheel body (V3990101)  |  |
| ID360 N3W freewheel body (V4270101)   |  |
| Instant Drive 360 freewheel technology<br>The new Instant Drive 360 freewheel system is super light and fast to engage with only 9Å°. A large contactless rubber seal provides low friction, while a wide array of end caps makes it super versatile. |  |

**Specifications****RIMS**

- **Material** : 100% carbon fiber
  - **Height** : 32mm
  - **Internal width** : 21 mm
  - **Drilling** : traditional
- Disc brake specific profile
- **ETRTO size** : 622x21TC
  - **Tire** : clincher

**SPOKES**

- **Material** : steel
  - **Shape** : j-bent, round, 2.0 straight gauge
- R2R carbon spoke technology

**WHEEL HUB**

- **Body** : aluminum
- **Body design** : INFINITY
- **Disc standard** : Center LockÅ© only
- **Axle material** : aluminum
- **Axle size** : front 12x100 / rear 12x142 - Convertible to quick release with included adapters
- **Axles** : Front 15x110 (Boost) or 15x100 ; Rear 12x148 (Boost) or 12x142
- **Freewheel** : Shimano HG road
- **Freewheel** : FTS-L steel

**WHEEL WEIGHTS**