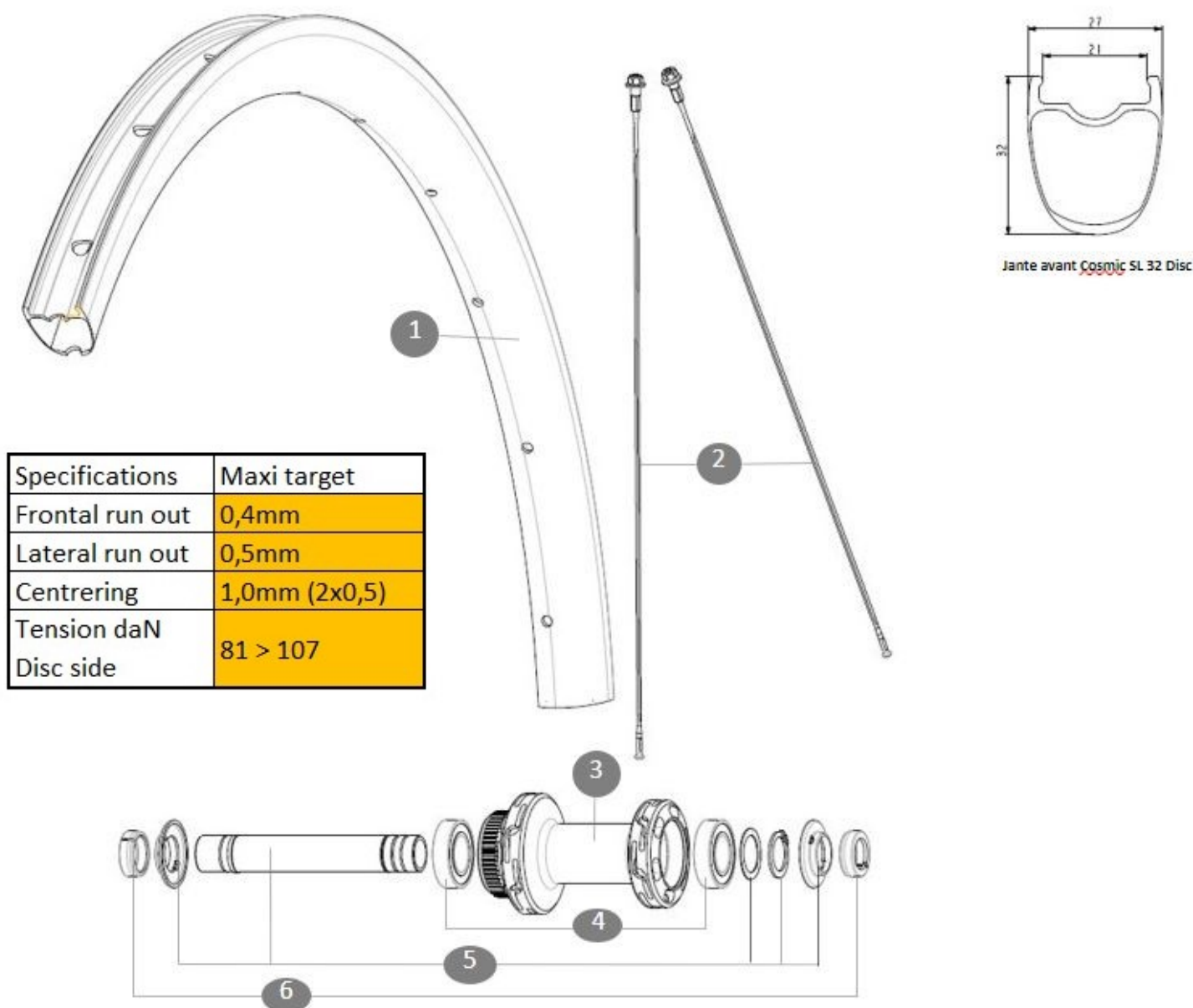


MAVIC **COSMIC SL 32 DISC 21mm**

Minimum tyre size: width 25mm - pressure max. 6.1Bar/88PSI
 Maximum tyre size: width 64mm - pressure max. 3.5Bar/51PSI
 ASTM category 2 : road and offroad with jumps less than 15cm
 Maximum weight supported by the wheels: must not exceed 120 kg (bike weight included)

REFERENCES WHEELS**RIMS**

&NBSP;:

1	V00116231	KIT FRT/RR RIM COSMIC SL32
	V2620101	UST RIM TAPE 25mm (for 21-24mm wide rim)

SPOKES

2	V4163401	Kit 12 Front/Rear Cosmic SL 32 Disc butted stainless spoke 2
---	----------	--

HUB SHELLS

3	N/A	HUB BODY
4	M40129	KIT 2 BEARINGS 6902 15x28x7
5	V2373301	KIT QRM AUTO FRONT AXLE 12mm > 2019

OPTIONS

V2680301	"Kit Ft Road Adapter 12 >> 9mm"
----------	---------------------------------

ADAPTERS

6	V2680501	12mm Road Axle Cap QRM Auto
---	----------	-----------------------------

MAVIC COSMIC SL 32 DISC 21mm

2025
FRONT

DELIVERED WITH

User guide	
Rim tape mounted on wheel	
UST valve not mounted on wheel	
Front axle adapter: 12x100 convertible to 9x100	
Rear axle adapter: 12x142 convertible to 9x135	
Multifunction adjustment wrench with the rear wheel	

COMPATIBILITY

Freewheel body: convertible SRAM XD road (kit V2580101 sold separately)	
Freewheel body: convertible SHIMANO HG light road (kit V3850101 sold separately)	
Freewheel body: convertible SHIMANO MS (kit V3990101 sold separately)	
Freewheel body: convertible CAMPAGNOLO ED (kit V3440101 sold separately)	
Freewheel body: convertible CAMPAGNOLO N3W (kit V4270101 sold separately)	
Rear axle adapters: 12x142 convertible to 12x135 (kit V2510901 sold separately)	
Front axle adapters: 12x100 convertible to 9x100 (kit V2680301 included)	
Rear axle adapters: 12x142 convertible to 9x135 (kit V2510801 included)	

Specifications

RIMS

- **Material** : 100% Unidirectional carbon fiber
- **Height** : 32 mm
- **Internal width** : 21 mm
- **Drilling** : traditional (front/rear 24 holes)
- **Braking** : disc
- **ETRTO size** : 622x21TC
- **Tire** : UST Tubeless Ready - Use with Mavic Tubeless Tape

SPOKES

- **Material** : steel
- **Shape** : straight, extra-flat, constricted, antirot (front and rear)
- **Nipples** : steel, ABS, black
- **Lacing** : crossed 2 (front and rear)

WHEEL HUB

- **Body material** : aluminium
- **Body design** : INFINITY
- **Disc standard** : Center Lock® only
- **Axle material** : aluminum
- **Axle size** : front 12x100 / rear 12x142 - Convertible to quick release with adapters (not included)
- **Freewheel technology** : Instant Drive 360
- **Freewheel** : Shimano HG road
- **Bearing technology** : QRM automatic setting - sealed cartridge

WHEEL WEIGHTS

680