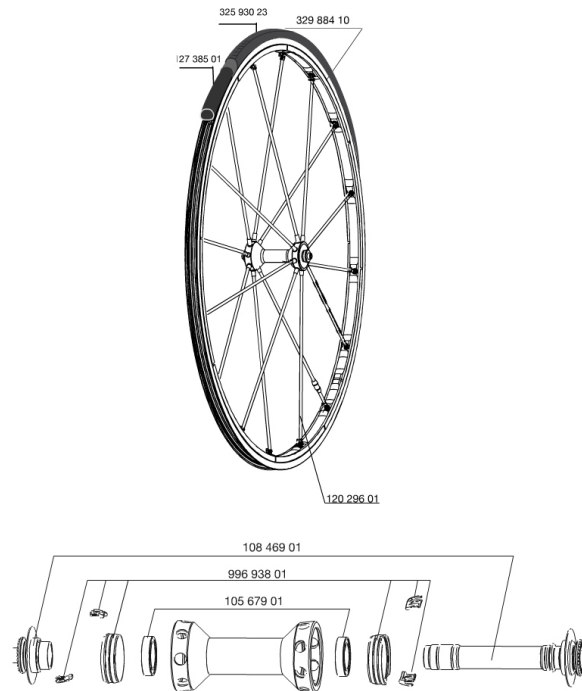


REFERENCES WHEELS

325667 R-SYS SLR 013 FRT WTS



RIMS



&NBSP;;

32988410 KIT FRONT R-SYS SLR CLINCHER 2013 ISM3D RIM

SPOKES

99693801 2 SILVER TRACOMP RINGS + CLIPS
12029601 KIT 9 FT R-SYS SLR CLINC/TUB BLK SPK 285mm

HUB SHELLS

10846901 FRONT AXLE KIT R-SYS SL/SLR
10567901 FRONT HUB QRM SL BEARINGS 15x24x5 6802

MAINTENANCE

12738501 Road Innertube Presta 48mm

TYRES

32593023 YksionProSSCGripLink 23

MAVIC R-Sys SLR C

DELIVERED WITH

BR601 quick releases	
BR601 quick releases	
Wheelbags	
Wheelbags	
Computer magnet (front wheel)	
Computer magnet (front wheel)	
Multifonction adjustment wrench	
Multifonction adjustment wrench	
Tracomp ring tool	
Tracomp ring tool	
User guide	
User guide	

Specifications

RIMS

- **Material** : Mxstal
- **Material** : Mxstal
- **Height** : front 22 mm, rear 25 mm asymmetrical
- **Color** : Exalith
- **Joint** : SUP
- **Height** : front 22 mm, rear 25 mm asymmetrical
- **Joint** : SUP
- **Drilling** : Fore
- **Drilling** : Fore
- **Brake track** : Exalith 2
- **Weight reduction** : ISM 3D
- **Valve hole diameter** : 6.5 mm
- **Brake track** : Exalith 2
- **Tyre** : clincher or tubular
- **Weight reduction** : ISM 3D
- **Valve hole diameter** : 6.5 mm
- **Tyre** : clincher or tubular
- **ETRTO size** : 622x15C
- **ETRTO size** : 622x15C
- **Recommended tyre sizes** : 19 to 32 mm
- **Recommended tyre sizes** : 19 to 32 mm

SPOKES

- **Material** : carbon fiber (front and rear non drive side) and Zircal (rear drive side)

WHEEL HUB

- **Front and rear bodies** : aluminum
- **Front and rear bodies** : aluminum
- **Color** : black
- **Front and rear axle material** : aluminum
- **Front and rear axle material** : aluminum
- QRM SL
- FTS-L steel
- QRM SL
- FTS-L steel

WHEEL WEIGHTS

Wheel weight 555