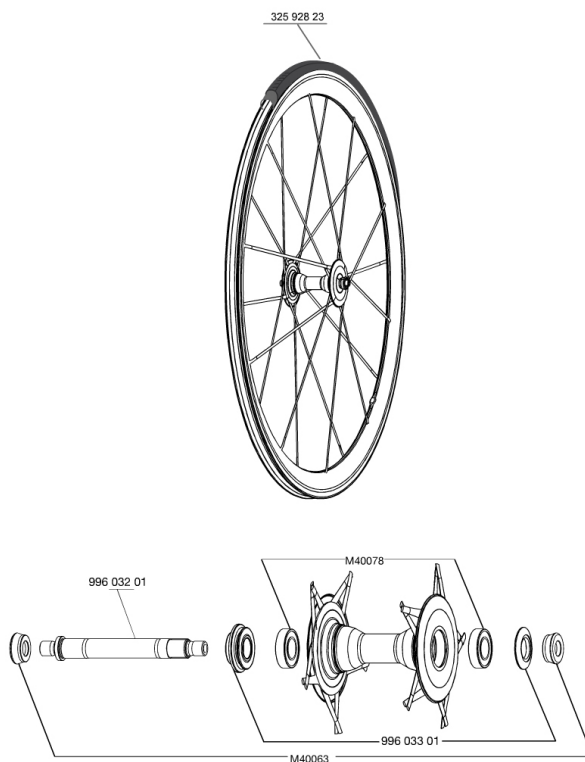


REFERENCES WHEELS

326536 C.CARB ULTIMATE 013 FRT WTS

**HUB SHELLS**

99603201	FRT AXLE COS.CARBONE ULTIMATE
M40063	2 FRONT AXLE FORK SUPPORT
99603301	FRONT ADJUST.NUT+CAP COS.CARB.ULTIMATE
M40078	FRONT HUB BEARINGS 6901 x 2

TYRES

32592823	YksionProSSCGripLinkTu 23
----------	---------------------------

MAVIC Cosmic Carbone Ultimate

DELIVERED WITH

BR601 Titanium quick releases	
Wheelbags	
Carbon brake pads	
Valve extender	
Computer magnet (front wheel)	
Multifunction adjustment wrench	
User guide	

Specifications

RIMS

- **Material** : 100% woven 12K carbon fiber
- **Color** : carbon
- **Height** : 40 mm, rear asymmetrical
- **Drilling** : no holes, spokes molded to the rim
- **Brake track** : carbon
- **Valve hole diameter** : 6.5 mm
- **Tyre** : tubular
- **ETRTO size** : 28" tubular
- **Recommended tyre sizes** : 19 to 28 mm

SPOKES

- **Material** : unidirectional carbon fiber
- **Shape** : R2R
- **Color** : carbon
- **Nipples** : brass, ABS
- **Count** : 20 front and rear
- **Lacing** : crossed 2 front and rear drive side, radial non drive side

WHEEL HUB

- **Front body** : Front 100% carbon
 - **Rear body** : aluminum
 - **Color** : front carbon, rear black
 - **Front axle material** : aluminum
 - **Rear axle material** : titanium and aluminum
- QRM+
FTS-L steel

WHEEL WEIGHTS

Wheel weight 520