

MAVIC Crossride Light WTS 29

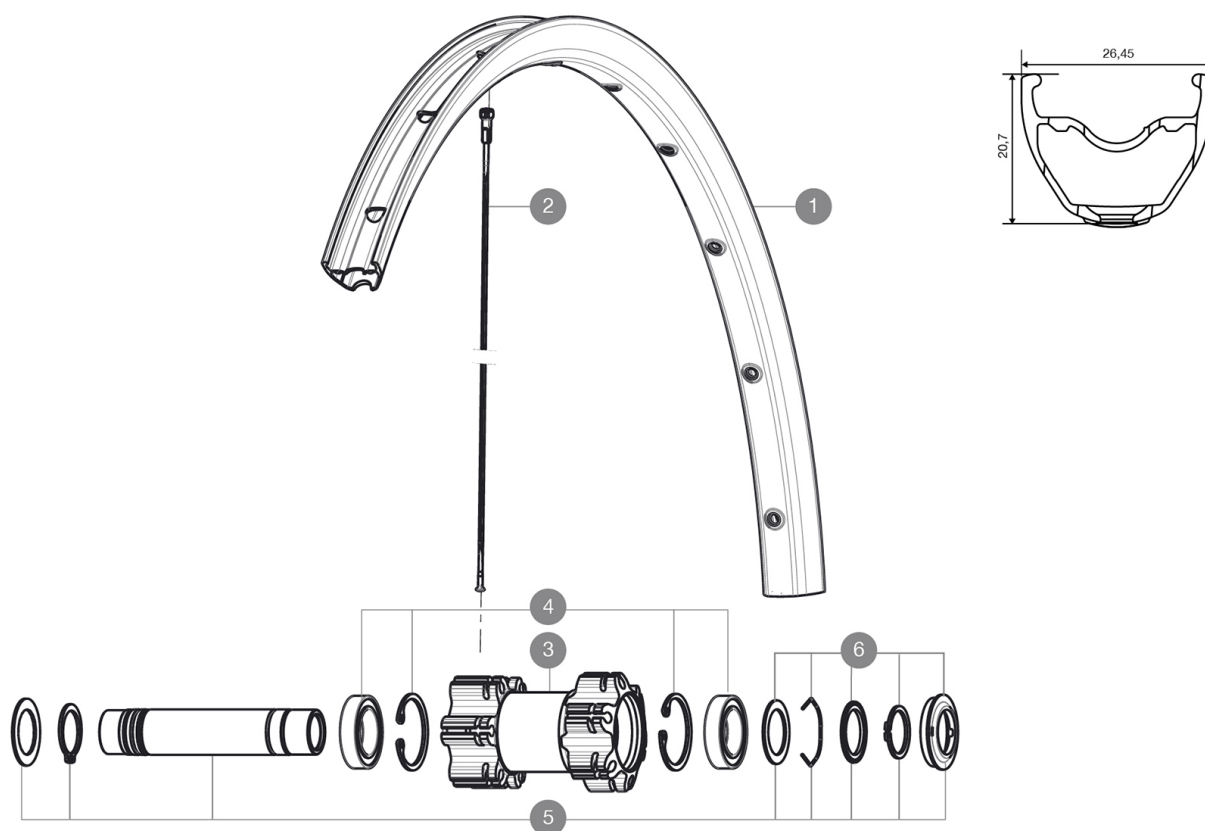
2016
FRONT

ASTM CATEGORY 3 : offroad with jumps less than 61cm
Recommended weight limit : 120kg

REFERENCES WHEELS

F37001 Xride Light29Ft WTS

F71551 XrdLight29Ft Boost WTS



RIMS



VALVE HOLE (MM): 8,5 WITH POP OFF REDUCER :

1 V2314615 "KIT FRONT/REAR RIM CROSSRIDE LIGHT 29""

SPOKES



2 V2382601 KIT 12 FT/NDS XRIDE LIGHT 29" SPOKE 293mm

HUB SHELLS

3	N/A	HUB BODY
4	99688501	BEARING KIT 9/12/15 D6T HUB 20x32x7 6804
5	V2370101	KIT FRONT AXLE 15MM CROSSONE/-RIDE/-ROC - while stock last
5	V2371101	KIT FRONT QRM AXLE 100mm/BOOST 110mm
6	V2370301	KIT FRONT AUTO ADJUSTING PLAY 15mm AXLE

MAVIC Crossride Light WTS 29

DELIVERED WITH

Rim tape	
Rear 12x142mm adapters	
Front QR adapters (996 941 01 for MTB or B41 043 01 for road) 1	
User guide	
Rear 12x142mm adapters for ITS4 and TS2 (308 593 01 for ITS4, 329 650 01 for TS2) 1	
Rim tape	
User guide	

COMPATIBILITY

Freewheel: Shimano/Sram, convertible to XD with optional driver body	
Front axle: convertible from 15mm thru axle to Quick Release with optional adapters	
Front axle: convertible from 15mm thru axle to Quick Release with included adapters	
Rear axle: 12mm thru axle, convertible to Quick Release with optional adapters	

Specifications

RIMS

- **Joint** : sleeved
 - **Drilling** : traditional
- Disc brake specific profile
- **Valve hole diameter** : 8,5 mm with pop off reducer
 - **Tyre** : tubetype
 - **Internal width** : 21 mm
 - **ETRTO size 26"** : 559x21C
 - **ETRTO size 27.5"** : 584x21C
 - **ETRTO size 29"** : 622x21C
 - **Joint** : sleeved
 - **Drilling** : traditional
- Disc brake specific profile
- **Valve hole diameter** : 8,5 mm with pop off reducer
 - **Tyre** : tubetype
 - **Internal width** : 21 mm
 - **ETRTO size 26"** : 559x21C
 - **ETRTO size 27.5"** : 584x21C
 - **ETRTO size 29"** : 622x21C

SPOKES

- **Material** : steel
- **Shape** : straight pull, bladed, double butted
- **Nipples** : brass, ABS
- **Count** : 24 front and rear
- **Lacing** : front and rear crossed 2
- **Material** : steel
- **Shape** : straight pull, bladed, double butted
- **Nipples** : steel, ABS
- **Count** : 24 front and rear
- **Lacing** : front and rear crossed 2

WHEEL HUB

- **Freewheel** : TS-2 alloy
- **Front and rear bodies** : aluminum
- **Freewheel** : TS-2 alloy

VERSIONS

- **Color** : Black only
- **Disc standard** : 6 Bolts only
- **Hub width** : Boost (front 110, rear 148) or Non-Boost (front 100, rear 135/142)

WHEEL WEIGHTS

- **Wheel weight**
- **Weight Front 26"** : 850
- **Weight Front 27.5"** : 880
- **Weight Front 29"** : 930