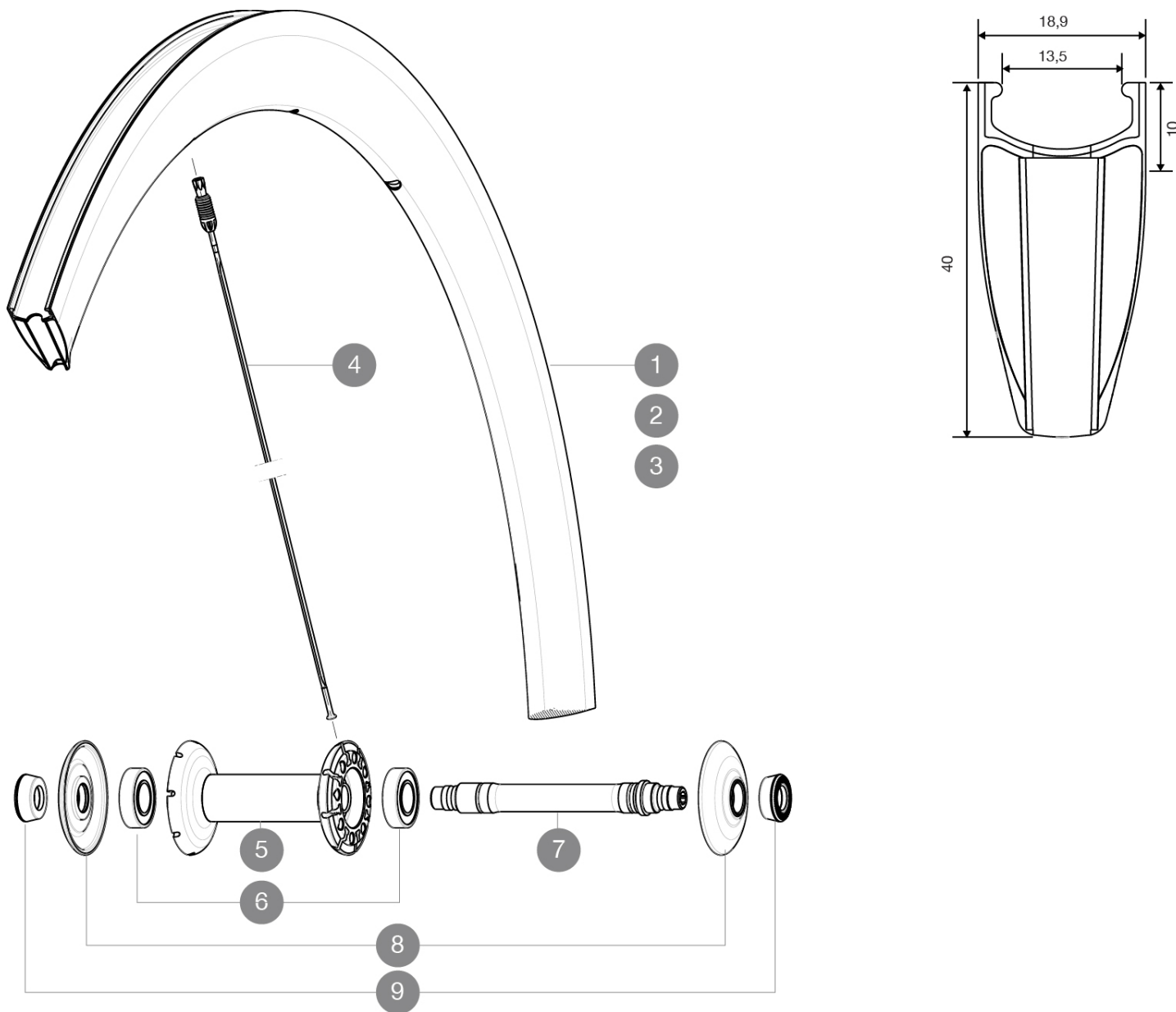


ASTM CATEGORY 1 : road only  
Recommended weight limit : 120kg  
Recommended tyre sizes: 21 to 28 mm  
Max. Pressure: 23mm 8.7 bars - 125 psi

### REFERENCES WHEELS

F71841	CosCarb40Elite16Frt Black	F71843	CosCarb40Elite16Frt CHROME
F71842	CosCarb40Elite16Frt White		



### RIMS



VALVE HOLE  $\varnothing$  (MM): 6,5 :

1	V2400610	FRONT RIM CC 40 ELITE WHITE
2	V2400810	KIT FRONT RIM CC 40 ELITE BLACK
3	V2404310	KIT FRONT RIM CC40 ELITE CHROME

### SPOKES

4	32979001	KIT 10 AERO FT/NDS CC 40 C BLACK SPOKE 277mm - while stock I
4	V3664201	KIT 12 FRT/NDS STAINLESS SPOKE CC40 C 277mm

### HUB SHELLS

5	N/A	HUB BODY
6	M40078	FRONT HUB BEARINGS 6901 x 2
7	30870001	FRONT AXLE ROAD RIM BRAKING QRM +

8 32985701 HUB CAP & ADJUSTING NUT CXR 80

### ADAPTERS

9 35117301 FT/RR FORK REST R-SYS/CC ULTIMATE > 2013/KSY PRO CARB T

**MAVIC** *Cosmic Carbone 40 Elite***DELIVERED WITH**

BR301 quick releases	
Carbon brake pads	
BR301 quick releases	
Carbon brake pads	
Multifonction adjustment wrench	
User guide	
Multifonction adjustment wrench	
User guide	

**Specifications****RIMS**

- **Material** : 3K carbon fibers with aluminum cooling system
- **Height** : 40 mm
- **Drilling** : co-molded Fore drilled inserts
- **Material** : 3K carbon fibers with aluminum cooling system
- **Brake track** : carbon with TgMAX technology
- **Brake track** : carbon
- **Valve hole diameter** : 6.5 mm
- **Tyre** : clincher
- **ETRTO size** : 622x13C
- **Recommended tyre sizes** : 21 to 28 mm
- **Height** : 40 mm
- **Drilling** : co-molded Fore drilled inserts
- **Brake track** : carbon with TgMAX technology
- **Brake track** : carbon
- **Valve hole diameter** : 6.5 mm
- **Tyre** : clincher
- **ETRTO size** : 622x13C

**SPOKES**

- **Material** : steel
- **Shape** : straight pull, bladed, double butted
- **Nipples** : Fore integrated aluminum
- **Count** : front 16, rear 20
- **Lacing** : radial front and rear non-drive side, crossed 2 rear drive side
- **Material** : steel
- **Shape** : straight pull, bladed, double butted
- **Nipples** : Fore integrated aluminum
- **Count** : front 16, rear 20
- **Lacing** : radial front and rear non-drive side, crossed 2 rear drive side

**WHEEL HUB**

- **Front and rear bodies** : aluminum
- **Axle material** : aluminum
- Adjustable sealed cartridge bearings
- **Freewheel** : FTS-L steel
- **Front and rear bodies** : aluminum
- **Axle material** : aluminum
- Adjustable sealed cartridge bearings
- **Freewheel** : FTS-L steel

**WHEEL WEIGHTS**

Wheel weight 670