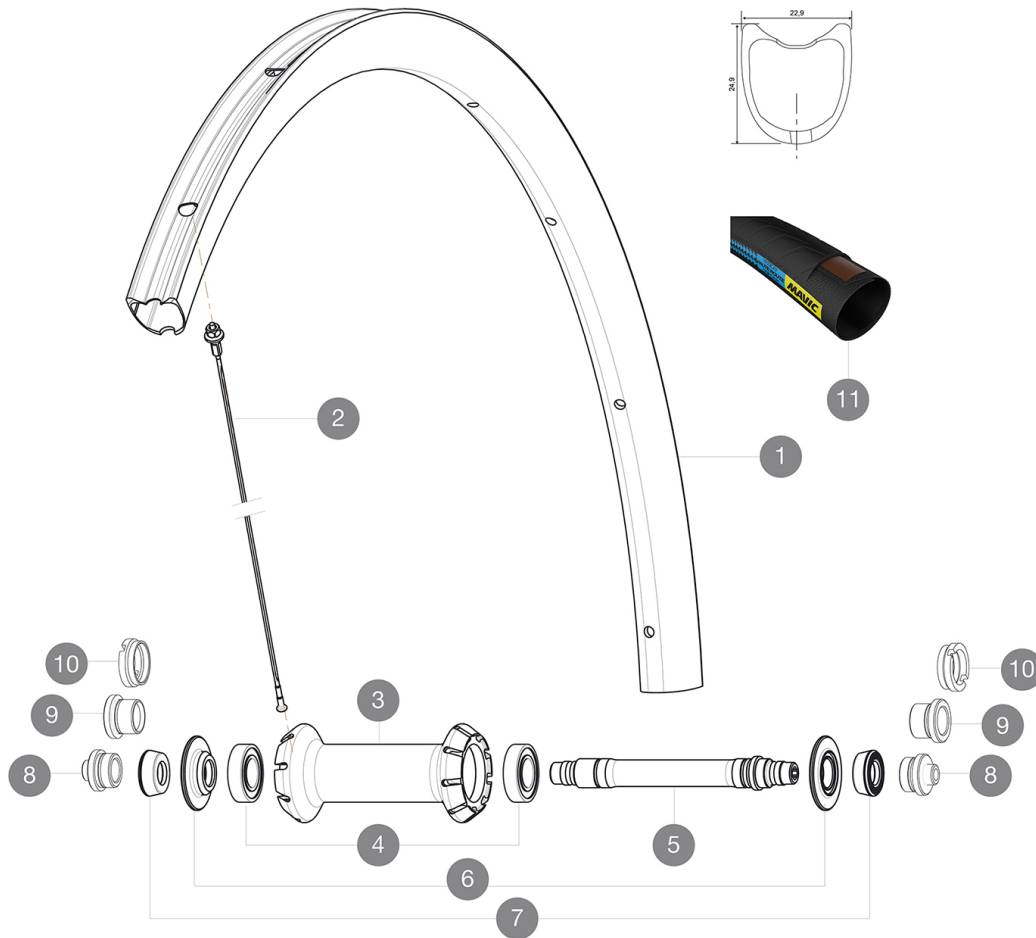


# MAVIC Ksyrium Pro Carbon SL T HR

ASTM CATEGORY 2 : road and offroad with jumps less than 15cm  
 Recommended weight limit : 120kg  
 Recommended tire sizes: 25 to 32 mm  
 Max. Pressure: 25mm 7.7 bars - 110 PSI

## REFERENCES WHEELS

F70861 KsyProCarbSLT HR Ft SV



## RIMS



VALVE HOLE  $\bar{A}$  (MM): 6,5 :

1	V2730110	KIT FRONT RIM KSYRIUM PRO CARBON SL TUB HR
---	----------	--

## SPOKES

2	V2271301	KIT 9 FT KSYRIUM PRO CARB SL C/T SPK 287mm - while stock las
2	V3663801	KIT 12 FRT KSYR PRO CARB SL C/UST/T & NDS COSMIC PRO CARB SL

## HUB SHELLS

4	V2540201	KIT 2 FRONT BEARINGS 12x24x6 CERAMIC - while stock last
4	M40131	KIT BEARINGS FRONT 12x24x6 6901 (I0 track)
5	30870001	FRONT AXLE ROAD RIM BRAKING QRM +
6	V2252501	FRONT SETTING NUT & DUST PROTECTOR MY16

## TYRES



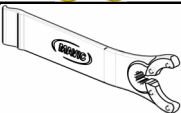

11	39435725	YksionProGripLink HRTubular
----	----------	-----------------------------

## ADAPTERS

7	35117301	FT/RR FORK REST R-SYS/CC ULTIMATE > 2013/KSY PRO CARB T
8	B4104301	ADAPTER Ft 9mm QR QRM+
9	B4104201	ADAPTER Ft 12mm QRM+
10	B4104401	ADAPTER Ft 15mm QRM+

# MAVIC Ksyrium Pro Carbon SL T HR

## DELIVERED WITH

BR601 quick releases (V24 501 01 frt, V24 502 01 rear) 1	
Carbon brake pads (V24 603 01 Shimano/Sram, V24 604 01 Campagnolo) 1 pair	
Multifunction adjustment wrench (325 423 01) 1	
"Haute Route" special edition wheelbags 1	
User guide	

## COMPATIBILITY

Freewheel: Shimano/Sram or Campagnolo, convertible to XD-R with optional driver body	
Front axle: Quick Release only	
Rear axle: Quick Release only	

## Specifications

### RIMS

- **Material** : 3K carbon fibers
- **Height** : 25mm
- **Drilling** : traditional
- **Brake track** : carbon with TgMAX technology
- **Brake track** : carbon
- **Valve hole diameter** : 6.5 mm
- **Tire** : tubular
- **ETRTO size** : 28" tubular

### SPOKES

- **Material** : steel
- **Shape** : straight pull, bladed, double butted
- **Nipples** : aluminum, ABS
- **Count** : front 18, rear 24
- **Lacing** : front radial, rear Isopulse

### WHEEL HUB

- **Front and rear bodies** : aluminum
  - **Axle material** : aluminum
- High quality ceramic bearings by CeramicSpeed (R)
- **Freewheel** : Instant Drive 360

### VERSIONS

- **Color** : Black only

### WHEEL WEIGHTS

Wheel weight 515