

ASTM CATEGORY 1 : road only

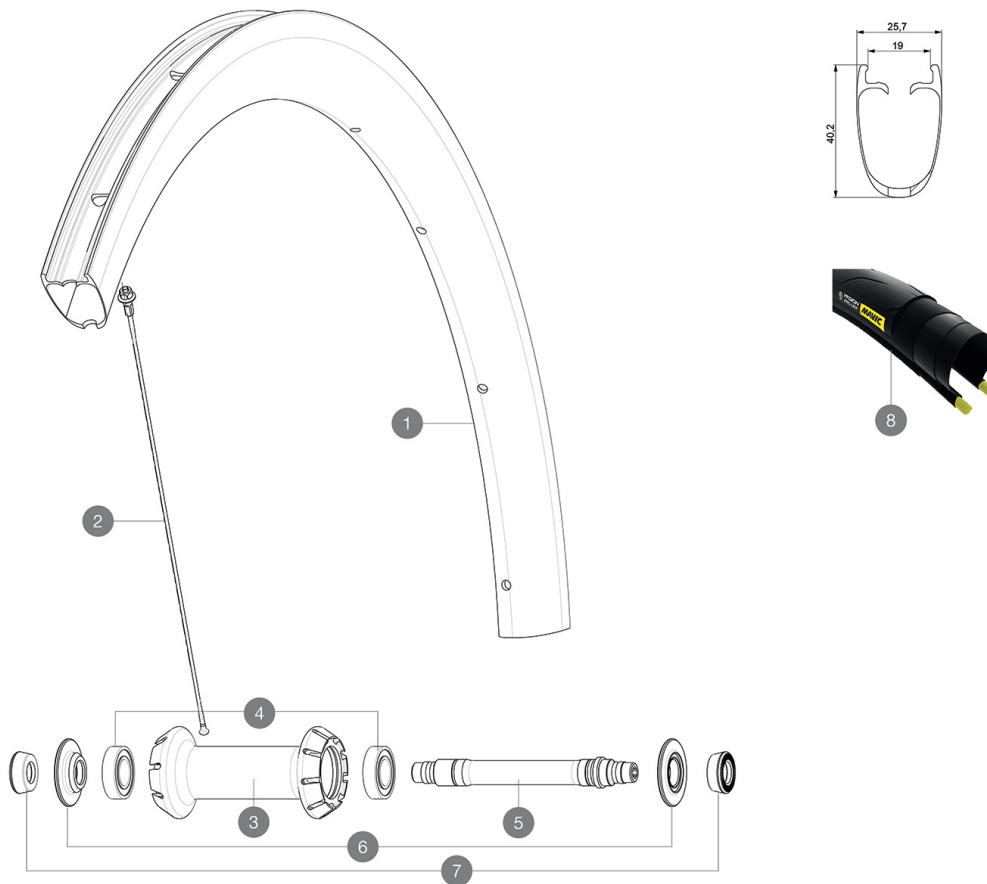
For a longer longevity of the wheel, Mavic recommends that the total weight supported by the wheels don't exceed 120kg, bike included

Recommended tyre sizes: 25 to 32 mm

Max. Pressure tubeless: 25mm 6 bars - 87 PSI, 28mm 5 bars - 70 PSI. Max pressure tubetype: 25mm 7 bars - 102 PSI

REFERENCES WHEELS

F73471 CosProCarbSLUSTFt



RIMS



&NBSP;:

1	V4092610	Kit Front rim Cosmic SL 40 RB
1	V2733410	KIT FRT RIM COSMIC PRO CARBON SL UST - While stock last
1	V2736710	KIT FRONT RIM COSMIC PRO CARBON SL/PRO CARBON UST 19 - white
	V3720101	25mm UST Tape for 19 to 22mm Road Rims

SPOKES

2	V3660701	KIT 9 FRT COSMIC CARBON SL C BTD SPK 271mm - while stock las
2	V3660601	KIT 1 FT/RR NDS 278/1 FT 271 CPC SL C/C DISC SPK
	V3662201	KIT 12 FRT COSMIC PRO CARB SL T/C/UST & NDS CPC SL BUTTED AE

HUB SHELLS

3	N/A	HUB BODY
4	M40078	FRONT HUB BEARINGS 6901 x 2
5	30870001	FRONT AXLE ROAD RIM BRAKING QRM +
6	V2252501	FRONT SETTING NUT & DUST PROTECTOR MY16

TYRES

8	39938825	Yksion Pro UST 700x25
---	----------	-----------------------

ADAPTERS

7	35117301	FT/RR FORK REST R-SYS/CC ULTIMATE > 2013/KSY PRO CARB T
---	----------	---

DELIVERED WITH

Mavic tyre sealant (rear wheel) (355 466 01)	
BR601 quick releases (V24 501 01 frt, V24 502 01 rear)	
Tyre sealant syringe	
Carbon brake pads (V24 603 01 Shimano/Sram, V24 604 01 Campagnolo)	
UST valve and accessories (129 838 01)	
Tubeless rim tape	
Multifunction adjustment wrench (325 423 01)	
User guide	

COMPATIBILITY

Freewheel: Shimano/Sram, convertible to Campagnolo and XD-R with optional driver bodies	
Front axle: Quick Release only	
Rear axle: Quick Release only	

Specifications**RIMS**

- **Material** : 3K carbon fibers
- **Height** : 40 mm
- **Drilling** : traditional
- **Brake track** : carbon with iTgMAX technology
- **Valve hole diameter** : 6.5 mm
- **Tyre** : UST Tubeless and tubetype
- **Internal width** : 19 mm
- **ETRTO size** : 622x19TC Road

SPOKES

- **Material** : steel
- **Shape** : straight pull, aero, double butted
- **Nipples** : aluminum, ABS
- **Count** : front 18, rear 24
- **Lacing** : front radial, rear Isopulse

WHEEL HUB

- **Front and rear bodies** : aluminum
- **Axle material** : aluminum
- **Front bearings** : adjustable sealed cartridge bearings (QRM+), Rear bearings auto adjust sealed cartridge bearings (QRM Auto)
- **Freewheel** : Instant Drive 360

VERSIONS

- **Color** : Black only

WHEEL WEIGHTS

665