

MAVIC Ksyrium Pro Disc UST

ASTM CATEGORY 2 : road and offroad with jumps less than 15cm

For a longer longevity of the wheel, Mavic recommends that the total weight supported by the wheels don't exceed 120kg, bike included

Recommended tyre sizes: 25 to 32 mm

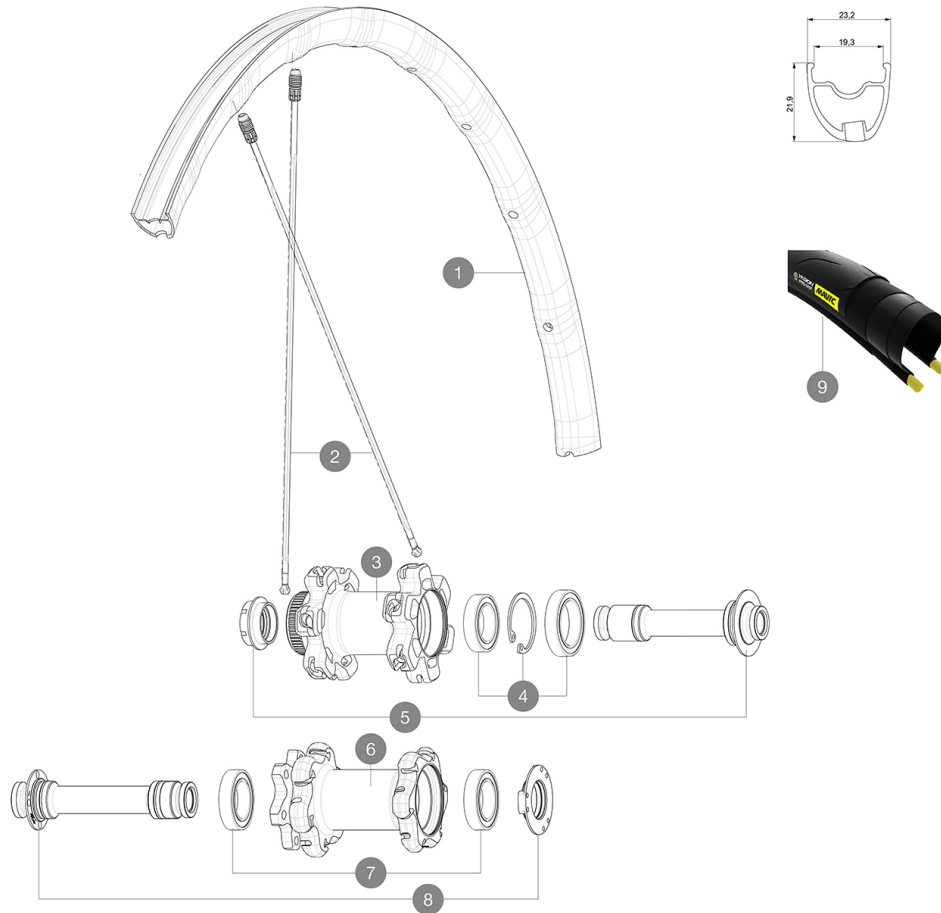
Max. Pressure: see indication on wheel and tyre. If they differ, use the lower of the 2

Max. Pressure tubeless: 25mm 6 bars - 87 PSI, 28mm 5 bars - 70 PSI. Max pressure tubetype: 25mm 7 bars - 102 PSI

REFERENCES WHEELS

F75801 KsyPro UST D6B12x100Ft

F75811 KsyPro UST DCL12x100Ft



RIMS



&NBSP::

1 V2731610 KIT FRONT RIM KSYRIUM PRO DISC UST 19C

SPOKES

2 V2730515 KIT 1 FT/1 NDS STAMPED BTD ALU SPOKE 291.5mm - while stock l
2 V2272501 KIT 12 FT/NDS KSYRIUM PRO D/ALLROAD PRO SPK 291,5mm

HUB SHELLS

3 N/A HUB BODY
4 99688601 BEARING KIT 9/15 DCL HUB 20x32x7 6804 + 25x37x7 6805
5 V2390701 KIT FRONT 12mm AXLE QRM+ CL
6 N/A HUB BODY
7 V2560401 KIT 2 BEARINGS 17x28x7 + WAVED WASHER + CLIP
8 V2390601 KIT FRONT 12mm AXLE QRM+ 6B

OPTIONS

V2252401 KIT MY16 FRONT AXLE ROAD DISC 9/12/15 CL
 V2252301 KIT MY16 FRONT AXLE ROAD DISC 9/12/15 INT

TYRES

9 39938825 Yksion Pro UST 700x25

ADAPTERS

B4104401 ADAPTER Ft 15mm QRM+
 V2680301 "Kit Ft Road Adapter 12 >> 9mm"

MAVIC Ksyrium Pro Disc UST

DELIVERED WITH

Mavic tyre sealant (rear wheel) (355 466 01)	
Mavic tyre sealant (rear wheel) (355 466 01)	
Mavic tyre sealant (rear wheel) (355 466 01)	
Tyre sealant syringe	
Tyre sealant syringe	
Tyre sealant syringe	
Front QR adapters (996 941 01 for MTB or B41 043 01 for road)	
Front QR adapters (996 941 01 for MTB or B41 043 01 for road)	
Rear QR adapters for Instant Drive 360 (B49 894 01)	
Rear QR adapters for Instant Drive 360 (B49 894 01)	
UST valve and accessories (129 838 01)	
UST valve and accessories (129 838 01)	
UST valve and accessories (129 838 01)	
Specific disc bolts (308 719 01)	
Specific disc bolts (308 719 01)	
Specific disc bolts (308 719 01)	
Multifonction adjustment wrench (325 423 01)	
Multifonction adjustment wrench (325 423 01)	

COMPATIBILITY

Freewheel: Shimano/Sram, convertible to Campagnolo and XD-R with optional driver bodies	
Freewheel: Shimano/Sram, convertible to Campagnolo and XD-R with optional driver bodies	
Freewheel: Shimano/Sram, convertible to Campagnolo and XD-R with optional driver bodies	
Front axle: 12mm thru axle. Optional: Easily convertible to quick release with adequate adapters, convertible to 15mm with complete axle replacement	
Rear axle: 12mm thru axle, convertible to Quick Release with optional adapters (not available in Germany)	