

MAVIC Allroad Elite UST Disc

ASTM CATEGORY 2 : road and offroad with jumps less than 15cm

For a longer longevity of the wheel, Mavic recommends that the total weight supported by the wheels don't exceed 120kg, bike included

Recommended tyre sizes: 28 to 62 mm (1.1" to 2.5")

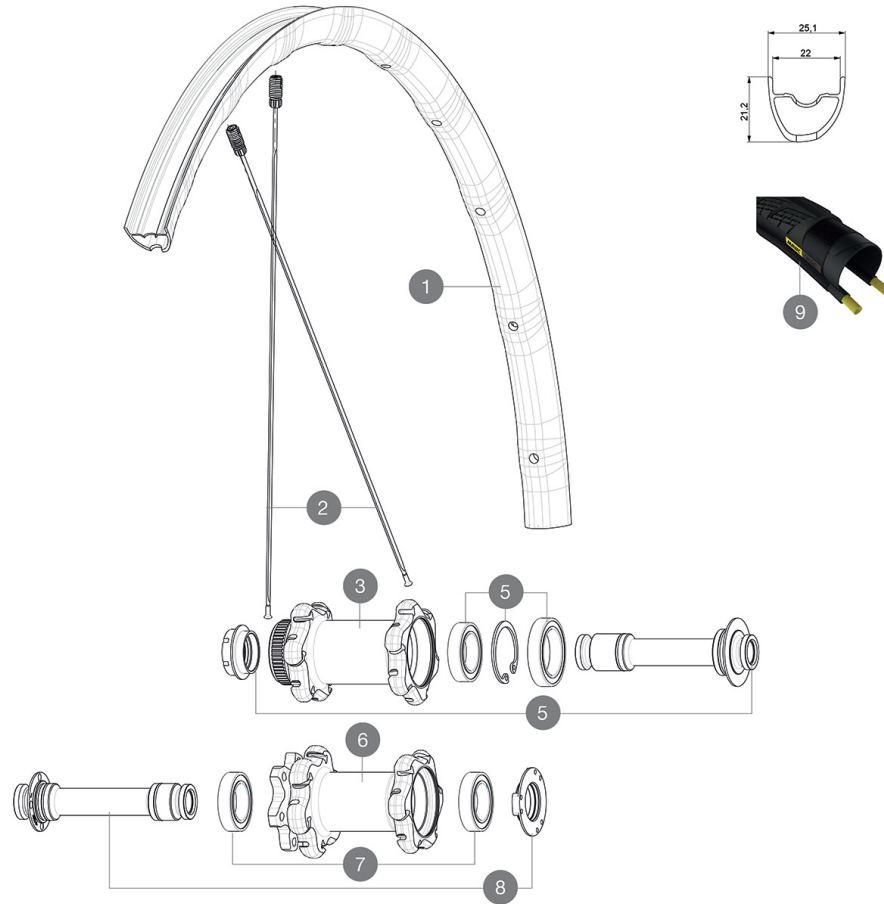
Max. Pressure: see indication on wheel and tyre. If they differ, use the lower of the 2

Max. Pressure: 30mm 5.8 bars - 85 PSI / 40mm 4.5 bars - 65 PSI

REFERENCES WHEELS

F75901 Allroad El D6B 12x100 Ft

F75921 Allroad El DCL 12x100 Ft



RIMS



&NBSP;:

1	V2733610	KIT FRONT RIM ALLROAD ELITE DISC UST While Stocks lasts
	V2620101	UST RIM TAPE 25mm (for 21-24mm wide rim)

SPOKES

2	V2273201	KIT 12 FRT/NON DRIVE SIDE BUTTED SPOKE 297mm
---	----------	--

HUB SHELLS

3	N/A	HUB BODY
4	99688601	BEARING KIT 9/15 DCL HUB 20x32x7 6804 + 25x37x7 6805
5	V2390701	KIT FRONT 12mm AXLE QRM+ CL
6	N/A	HUB BODY
7	V2560401	KIT 2 BEARINGS 17x28x7 + WAVED WASHER + CLIP
8	V2390601	KIT FRONT 12mm AXLE QRM+ 6B

OPTIONS

V2252401	KIT MY16 FRONT AXLE ROAD DISC 9/12/15 CL
V2252301	KIT MY16 FRONT AXLE ROAD DISC 9/12/15 INT

TYRES

9	39949936	Yksion Allroad XL
9	38012230	Yksion Elite Allroad

ADAPTERS

B4104401	ADAPTER Ft 15mm QRM+
V2680301	"Kit Ft Road Adapter 12 >> 9mm"

MAVIC Allroad Elite UST Disc

2018
FRONT

DELIVERED WITH

Mavic tyre sealant (rear wheel) (355 466 01)	
Mavic tyre sealant (rear wheel) (355 466 01)	
Mavic tyre sealant (rear wheel) (355 466 01)	
Tyre sealant syringe	
Tyre sealant syringe	
Tyre sealant syringe	
Front QR adapters (996 941 01 for MTB or B41 043 01 for road)	
Front QR adapters (996 941 01 for MTB or B41 043 01 for road)	
Rear QR adapters for Instant Drive 360 (B49 894 01)	
Rear QR adapters for Instant Drive 360 (B49 894 01)	
UST valve and accessories (129 838 01)	
UST valve and accessories (129 838 01)	
UST valve and accessories (129 838 01)	
Specific disc bolts (308 719 01)	
Multifunction adjustment wrench (325 423 01)	
Multifunction adjustment wrench (325 423 01)	
Multifunction adjustment wrench (325 423 01)	
User guide	

COMPATIBILITY

Freewheel: Shimano/Sram, convertible to Campagnolo and XD-R with optional driver bodies	
Freewheel: Shimano/Sram, convertible to Campagnolo and XD-R with optional driver bodies	
Freewheel: Shimano/Sram, convertible to Campagnolo and XD-R with optional driver bodies	
Front axle: 12mm thru axle, easily convertible to quick release with included adapters. Convertible to 15mm with complete axle replacement	
Front axle: 12mm thru axle. Optional: Easily convertible to quick release with adequate adapters, convertible to 15mm with complete axle replacement	
Front axle: 12mm thru axle, easily convertible to quick release with included adapters. Convertible to 15mm with complete axle replacement	
Rear axle: 12mm thru axle, convertible to Quick Release with optional adapters (not available in Germany)	
Rear axle: 12mm thru axle, convertible to Quick Release with included adapters	
Rear axle: 12mm thru axle, convertible to Quick Release with included adapters	