

## ASTM CATEGORY 3 : CROSS COUNTRY AND TRAIL RIDING

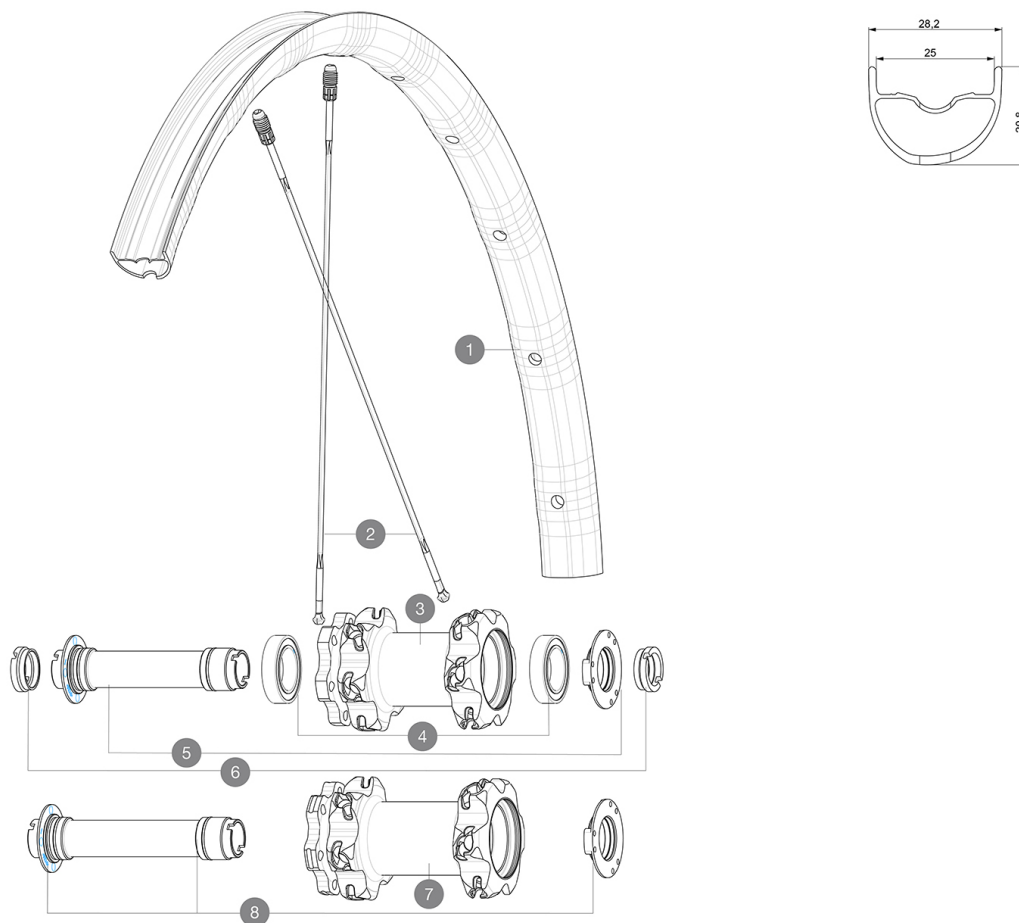
For a longer longevity of the wheel, Mavic recommends that the total weight supported by the wheels don't exceed 120kg, bike included

Recommended tyre sizes: 46mm to 64mm (1.8" to 2.5")

## REFERENCES WHEELS

F83291 XA Pro 27,5 19 Ft Boost

F83281 XA Pro 27,5 19 Ft



## RIMS



&NBSP;:

1 V2319710 KIT FRONT RIM XA PRO 19 27,5"

## SPOKES

2 V2385501 KIT 1 FT/RR XA PRO 27,5" BUTT ALU SPOK 275mm - while stock  
2 V2384701 KIT 12 FT/NDS CROSSMAX PRO 27,5" SPK 275mm

## HUB SHELLS

3 N/A HUB BODY  
4 99688501 BEARING KIT 9/12/15 D6T HUB 20x32x7 6804  
5 V2252301 KIT MY16 FRONT AXLE ROAD DISC 9/12/15 INT  
7 N/A HUB BODY  
8 V2370701 KIT FRONT QRM+ AXLE BOOST INTL 110mm


## OPTIONS

V2650201 ADAPTER Front Torque Cap 15x31 MTB QRM +

## ADAPTERS

6 B4104401 ADAPTER Ft 15mm QRM+  
B4104301 ADAPTER Ft 9mm QR QRM+

## DELIVERED WITH

Front QR adapters (non-boost wheel)	
Rear QR adapters (non-boost wheel)	
UST valve and accessories (129 838 01)	
Specific disc bolts (308 719 01)	
Multifunction adjustment wrench (325 423 01)	
User guide	

## COMPATIBILITY

Freewheel: Shimano/Sram or XD	
Front axle: convertible from 15mm thru axle to Quick Release with adapters (delivered with non-boost wheel)	
Rear axle: 12mm thru axle, convertible to Quick Release with adapters (delivered with non-boost wheel)	
Freewheel: Shimano Micro Spline	

## Specifications

### RIMS

- **Material** : Mxstal
- **Joint** : SUP
- **Drilling** : Fore
- **Weight reduction** : ISM 4D
- **Valve hole diameter** : 6.5 mm
- **Tyre** : UST Tubeless and tubetype
- **Internal width** : 25 mm
- **ETRTO size 27.5"** : 584x25TSS
- **ETRTO size 29"** : 622x25TSS

Hookless profile

### SPOKES

- **Material** : Zicral
- **Shape** : straight pull, bladed, double butted front and rear non drive side
- **Nipples** : Fore integrated aluminum
- **Count** : 24 front and rear
- **Lacing** : front crossed 2, rear Isopulse

### WHEEL HUB

- **Front and rear bodies** : aluminum
- **Axle material** : aluminum
- **Front bearings** : adjustable sealed cartridge bearings (QRM+), Rear bearings auto adjust sealed cartridge bearings (QRM Auto)
- **Freewheel** : Instant Drive 360

### VERSIONS

- **Disc standard** : 6 Bolts only
- **Hub width** : Boost (front 110, rear 148) or Non-Boost (front 100, rear 135/142)
- **Freewheel** : Shimano/Sram or XD

### WHEEL WEIGHTS

- Weight Front 27.5": 746
- Weight Front 29": 785