

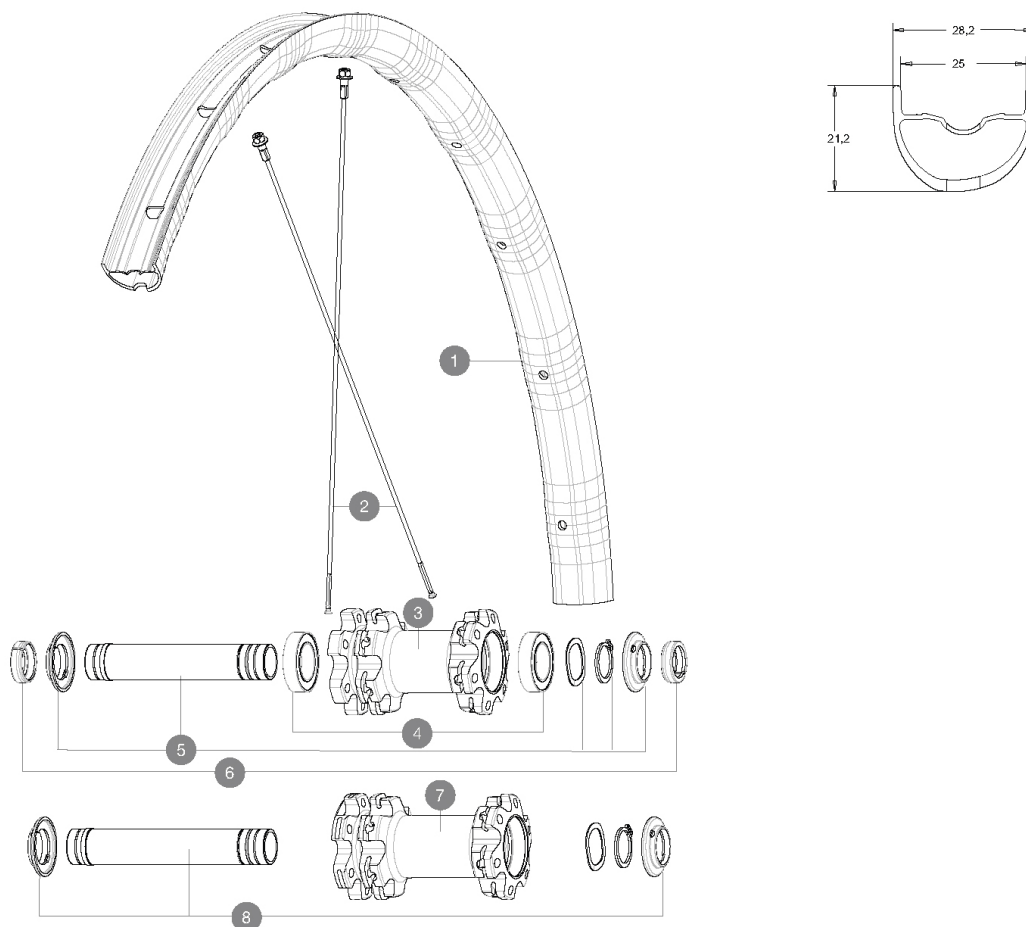
## ASTM CATEGORY 3 : CROSS COUNTRY AND TRAIL RIDING

For a longer longevity of the wheel, Mavic recommends that the total weight supported by the wheels don't exceed 120kg, bike included

Recommended tyre sizes: 46mm to 64mm (1.8" to 2.5")

## REFERENCES WHEELS

F83441	XA Elite 29 19 Ft	P88731	XAElit29 19Pr 12x142XD
F83451	XA Elite 29 19 Ft Boost	P88741	XA Elite 29 19 Pr Boost
P88721	XAElit29 19Pr 12x142	P88751	XAElit29 19Pr BstXD



## RIMS



&NBSP;:

1	V3760715	KIT FRT/REAR RIM XA ELITE 19 29"
	V2700101	UST Tape 28mm for 25 to 27mm wide rims

## SPOKES

2	V2386701	KIT 12 FRT CROSSMAX ELITE/XA ELITE 19 29" BUTTED SPOKE 297m
---	----------	---

## HUB SHELLS

3	N/A	HUB BODY
4	V2500901	KIT BEARINGS 18x30x7 + WAVED WASHER + CLIP
5	V2372301	KIT 100mm AXLE QRM AUTO MTB > 2019
7	N/A	HUB BODY
8	V2372401	KIT 110mm AXLE QRM AUTO MTB > 2019



## OPTIONS

V2374401	TORQUE CAPS 15*31 Adapter MTB QRM Auto > 2019 Frt HUB
----------	---

## ADAPTERS

6	V2372501	15mm MTB Axle Cap QRM Auto From 2019
	99694101	ADAPTER Ft 15 to 9mm QR

**MAVIC** XA Elite 29 19**DELIVERED WITH**

Front QR adapters (non-boost wheel)	
Front QR adapters (non-boost wheel)	
Rear QR adapters (non-boost wheel)	
Rear QR adapters (non-boost wheel)	
UST valve and accessories (129 838 01)	
UST valve and accessories (129 838 01)	
Tubeless rim tape	
Tubeless rim tape	

**COMPATIBILITY**

Freewheel: Shimano/Sram or XD	
Freewheel: Shimano/Sram or XD	
Front axle: convertible from 15mm thru axle to Quick Release with adapters (delivered with non-boost wheel)	
Front axle: convertible from 15mm thru axle to Quick Release with adapters (delivered with non-boost wheel)	
Rear axle: 12mm thru axle, convertible to Quick Release with adapters (delivered with non-boost wheel)	
Rear axle: 12mm thru axle, convertible to Quick Release with adapters (delivered with non-boost wheel)	
Freewheel: Shimano Micro Spline	
Freewheel: Shimano Micro Spline	

**Specifications****RIMS**

- **Material** : Mxstal
- **Material** : Mxstal
- **Joint** : SUP
- **Joint** : SUP
- **Drilling** : traditional
- **Drilling** : traditional
- **Weight reduction** : ISM 4D
- **Weight reduction** : ISM 4D
- **Valve hole diameter** : 6.5 mm
- **Valve hole diameter** : 6.5 mm
- **Tyre** : UST Tubeless and tubetype
- **Tyre** : UST Tubeless and tubetype
- **Internal width** : 25 mm
- **Internal width** : 25 mm
- **ETRTO size 27.5"** : 584x25TSS
- **ETRTO size 27.5"** : 584x25TSS
- **ETRTO size 29"** : 622x25TSS
- **ETRTO size 29"** : 622x25TSS

Hookless profile

Hookless profile

Use with Mavic Tubeless Tape

Use with Mavic Tubeless Tape

**SPOKES**

- **Material** : steel
- **Material** : steel
- **Shape** : straight pull, flat, double butted
- **Shape** : straight pull, flat, double butted
- **Count** : 24 front and rear
- **Count** : 24 front and rear
- **Lacing** : front and rear crossed 2
- **Lacing** : front and rear crossed 2

**WHEEL HUB**

- **Front and rear bodies** : aluminum
  - **Front and rear bodies** : aluminum
  - **Axle material** : aluminum
  - **Axle material** : aluminum
- Auto adjust sealed cartridge bearings (QRM Auto), front and rear
- Auto adjust sealed cartridge bearings (QRM Auto), front and rear
- **Freewheel** : Instant Drive 360
  - **Freewheel** : Instant Drive 360

**VERSIONS**

- **Color** : Black only
- **Disc standard** : 6 Bolts only
- **Disc standard** : 6 Bolts only
- **Hub width** : Boost (front 110, rear 148) or Non-Boost (front 100, rear 135/142)
- **Hub width** : Boost (front 110, rear 148) or Non-Boost (front 100, rear 135/142)

**WHEEL WEIGHTS**