

MAVIC *Ellipse Pro Carbon UST*

ASTM CATEGORY 1 : road only

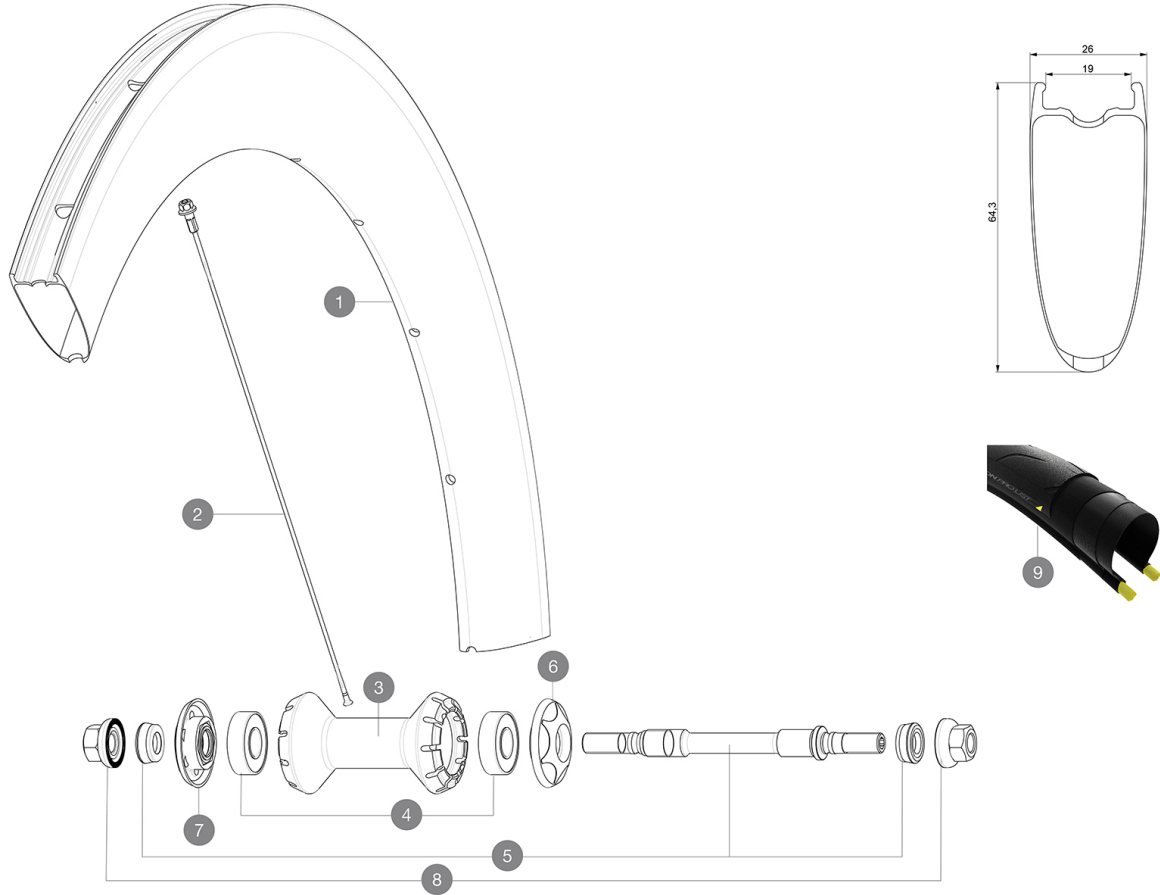
For a longer longevity of the wheel, Mavic recommends that the total weight supported by the wheels don't exceed 120kg, bike included

Recommended tyre sizes: 25 to 32 mm

Max. Pressure: see indication on wheel and tyre. If they differ, use the lower of the 2

REFERENCES WHEELS

F87791 ELLPC65UST25 RB 700



RIMS



 :

1	V2737113	KIT REAR RIM COMETE PRO CARBON SL UST 19 - while stock last
1	V2739313	KIT REAR RIM COMETE PRO CARBON UST
	V3720101	25mm UST Tape for 19 to 22mm Road Rims

SPOKES


2	V3668401	Kit 1 front 247mm and 1 rear 264mm stamped butted aero spoke
2	V3663101	KIT 12 FRT BUTTED AERO STAINLESS SPOKE 247 + alu nipple + wa

HUB SHELLS

3	N/A	HUB BODY
3	N/A	HUB BODY
4	M40318	KIT 2 HUB BEARINGS 6001
5	32386101	ELLIPSE FRONT AXLE + FORK SUPPORTS
6	M40243	AXLE CAP
7	M40242	AXLE CAP + ADJUSTING NUT
8	32388601	2 AXLE BOLTS RR COMETE TRACK/ELLIPSE FT-RR M9

MAVIC *Ellipse Pro Carbon UST*

DELIVERED WITH

Mavic tyre sealant (rear wheel) (355 466 01)	
Tyre sealant syringe	
UST valve and accessories (129 838 01)	
Tubeless rim tape	
Multifunction adjustment wrench (325 423 01)	
User guide	

COMPATIBILITY

Freewheel: fixed cog only, flip-flop hub (one cog possible on each hub side). Cog thread: 1,37x24TPI. Lock ring thread: left thread M33x1	
Front axle: for fixing nuts only (included), M10x1 thread	
Rear axle: for fixing nuts only (included), M10x1 thread	

Specifications

RIMS

- **Material** : 3K carbon fibers
 - **Height** : 64mm
 - **Drilling** : traditional
 - **Brake track** : carbon with iTgMAX technology
 - **Valve hole diameter** : 6.5 mm
 - **Tyre** : UST Tubeless and tubetype
 - **Internal width** : 19 mm
 - **ETRTO size** : 622x19TC Road
- Use with Mavic Tubeless Tape

SPOKES

- **Material** : steel
- **Shape** : straight pull, aero, double butted
- **Nipples** : steel, ABS
- **Count** : 20 front and rear
- **Lacing** : front radial, rear crossed 2

WHEEL HUB

- **Front and rear bodies** : aluminum
 - **Axle material** : steel
- Adjustable sealed cartridge bearings (QRM+)
Fixed cog

VERSIONS

- **Color** : Black only

WHEEL WEIGHTS

865