

MAVIC *Ksyrium UST Disc*

ASTM CATEGORY 2 : road and offroad with jumps less than 15cm

For a longer longevity of the wheel, Mavic recommends that the total weight supported by the wheels don't exceed 120kg, bike included

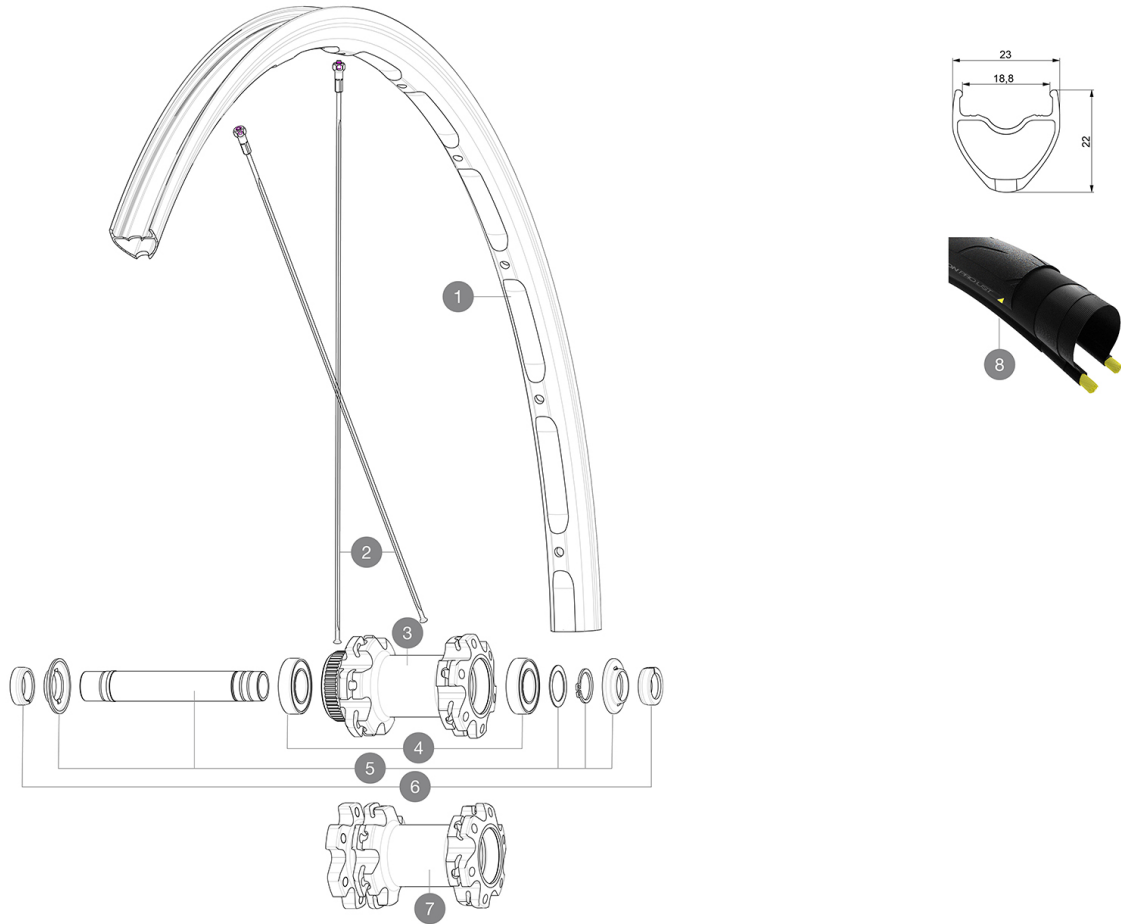
Recommended tyre sizes: 25 to 32 mm

Max. Pressure: see indication on wheel and tyre. If they differ, use the lower of the 2

REFERENCES WHEELS

F88231 Ksyrium UST DCL 20 Ft

F88221 Ksyrium UST D6B 20 Ft

**RIMS**

&NBSP;:

| | | |
|---|----------------------|---|
| 1 | V4080215 V2620101 | KIT FRONT/REAR RIM KSYRIUM UST DISC 19/20 UST RIM TAPE 25mm (for 21-24mm wide rim) |
|---|----------------------|---|

SPOKES

| | | |
|---|----------|--|
| 2 | V3664501 | KIT 12 FRT/NDS AKSIUM ELITE UST Disc/KSYRIUM UST Disc FLAT S |
|---|----------|--|

HUB SHELLS

| | | |
|---|----------|-------------------------------------|
| 3 | N/A | HUB BODY |
| 4 | M40129 | KIT 2 BEARINGS 6902 15x28x7 |
| 5 | V2373301 | KIT QRM AUTO FRONT AXLE 12mm > 2019 |
| 7 | N/A | HUB BODY |

ADAPTERS

| | | |
|---|----------------------|--|
| 6 | V2680501 V2680301 | 12mm Road Axle Cap QRM Auto "Kit Ft Road Adapter 12 >> 9mm" |
|---|----------------------|--|

MAVIC Ksyrium UST Disc

2020
FRONT

DELIVERED WITH

| | |
|--|---|
| Mavic tyre sealant (rear wheel) (355 466 01) | |
| Tyre sealant syringe | |
| Front QR adapters (996 941 01 for MTB or B41 043 01 for road) | |
| Rear QR adapters for Instant Drive 360 (B49 894 01) | |
| UST valve and accessories (129 838 01) |  |
| Tubeless rim tape | |
| User guide | |

COMPATIBILITY

| | |
|---|--|
| Freewheel: Shimano/Sram, convertible to Campagnolo and XD-R with optional driver bodies | |
| Front axle: 12x100 thru axle, easily convertible to quick release with included adapters. Not compatible with 15mm through axles. | |
| Rear axle: 12mm thru axle, convertible to Quick Release with included adapters | |

Specifications

RIMS

- **Material** : Maxtal
 - **Height** : 22 mm
 - **Joint** : SUP
 - **Drilling** : traditional
- Disc brake specific profile
- **Weight reduction** : ISM
 - **Valve hole diameter** : 6.5 mm
 - **Tyre** : UST Tubeless and tubetype
 - **Internal width** : 19 mm
 - **ETRTO size** : 622x19TC Road
- Use with Mavic Tubeless Tape

SPOKES

- **Material** : steel
- **Shape** : straight pull, flat, double butted
- **Nipples** : steel, ABS
- **Count** : 24 front and rear
- **Lacing** : front and rear crossed 2

WHEEL HUB

- **Front and rear bodies** : aluminum
 - **Axle material** : aluminum
- Auto adjust sealed cartridge bearings (QR Auto), front and rear
- **Freewheel** : Instant Drive 360 steel
 - **Front** : Quick release and 12x100 through axle compatible
 - **Rear** : Quick Release, 12x142 and 12x135 compatible

VERSIONS

- **Color** : Black only
- **Disc standard** : 6 Bolts or Center Lock(R)
- **Disc standard** : Center Lock(R) only

WHEEL WEIGHTS

775