

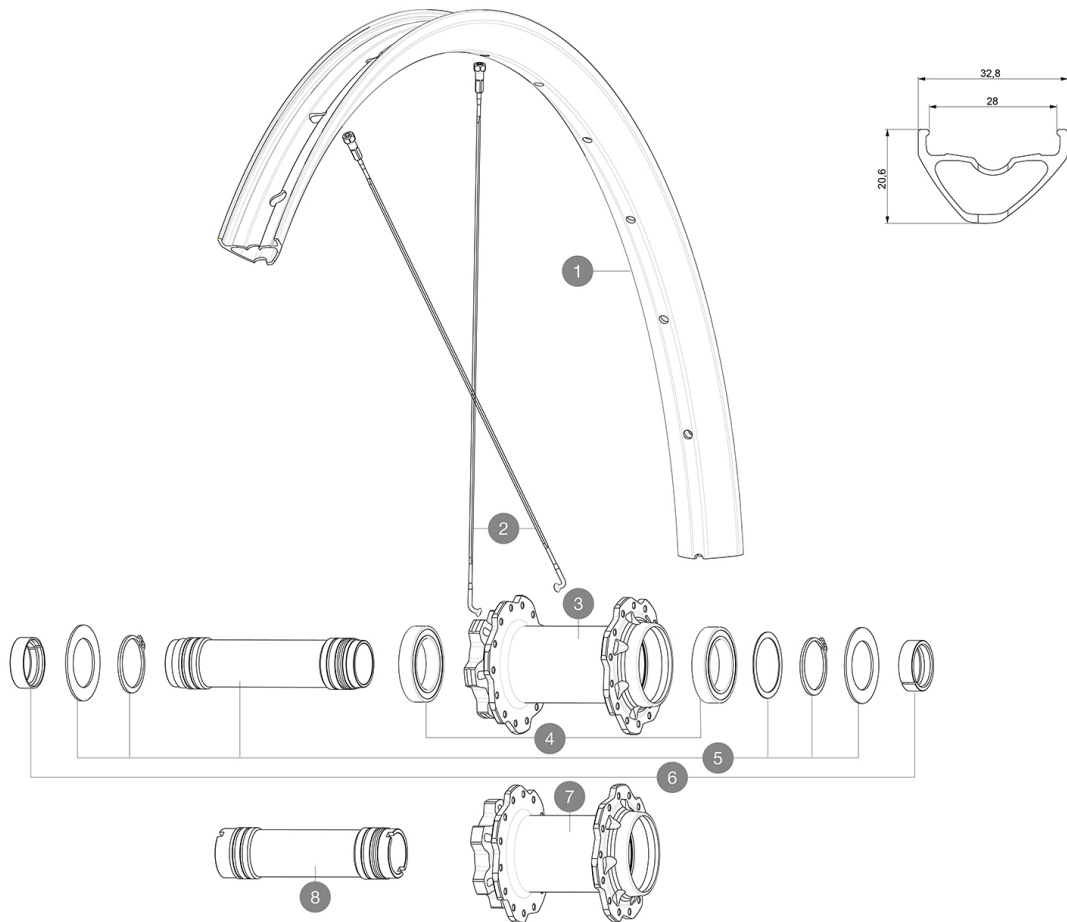
ASTM CATEGORY 5 : GRAVITY RIDING FOCUSED ON THE DESCENT

For a longer longevity of the wheel, Mavic recommends that the total weight supported by the wheels don't exceed 120kg, bike included

Recommended tyre sizes: 60mm to 76mm (2.35" to 3.0")

REFERENCES WHEELS

F87611	Deemax DH 29 Ft Boost	F87601	Deemax DH 29 Ft
--------	-----------------------	--------	-----------------



RIMS



&NBSP;:

1	V3764215	KIT FRONT/REAR RIM DEEMAX DH 20 29"
	V2640101	UST RIM TAPE 32mm for 28 to 29mm wide rims

SPOKES

2	V2387901	KIT 14 J BENT STEEL SPOKES 299mm DEEMAX DH 29" + black steel
---	----------	--

HUB SHELLS

3	N/A	HUB BODY
4	M40179	FRONT BEARING 25x37x7 20mm AXLE
5	V2373701	KIT 20x110mm BOOST AXLE QRM AUTO MTB > 2019
7	N/A	HUB BODY
8	V2373801	KIT 20x110mm AXLE QRM AUTO MTB > 2019


OPTIONS

V2650401	TORQUECAP20*31 FT QRM AUTO MTB
----------	--------------------------------

ADAPTERS

6	12982801	ADAPTER Ft 20 to 15mm
9	V2680401	20x110 BOOST Front Adapter MTB wheels

DELIVERED WITH

UST valve and accessories (129 838 01)	
Specific disc bolts (308 719 01)	
Tubeless rim tape	

COMPATIBILITY

Freewheel: Shimano/Sram or XD	
Front axle: 15mm, convertible to 20mm thru axle with included adapters	
Rear axle: 12mm thru axle, convertible to Quick Release with optional adapters	
Freewheel: Shimano Micro Spline	

Specifications

RIMS

- **Material** : Mxstal
 - **Joint** : SUP
 - **Drilling** : traditional
 - **Valve hole diameter** : 6.5 mm
 - **Tyre** : UST Tubeless and tubetype
 - **Internal width** : 28 mm
 - **ETRTO size 27.5"** : 584x28TC
 - **ETRTO size 29"** : 622x28TC
- Use with Mavic Tubeless Tape

SPOKES

- **Material** : steel
- **Shape** : straight pull, flat, double butted
- **Count** : 28 front and rear
- **Lacing** : front and rear crossed 3

WHEEL HUB

- **Front and rear bodies** : aluminum
 - **Axle material** : aluminum
- Auto adjust sealed cartridge bearings (QRM Auto), front and rear
- **Freewheel** : Instant Drive 360

VERSIONS

- **Color** : Black only
 - **Disc standard** : 6 Bolts only
- Freewheel; SRAM XD, Shimano HG, Shimano Micro-Spline
- **Hub width** : Boost (front 15/20x110, rear 148) or Non-Boost (front 15/20x100, rear 135/142) or DH rear (150/157) or DH7S rear (150/157-7S)

WHEEL WEIGHTS

Weight Front 27.5": 940
Weight Front 29": 987