

ASTM CATEGORY 4 : ENDURO AND TRAIL RIDING

For a longer longevity of the wheel, Mavic recommends that the total weight supported by the wheels doesn't exceed 150kg, bike included

Maximum tyre pressure: 2.95bar/43PSI with a 52mm tyre - 1.55bar/22PSI with a 125mm tyre

Minimum tyre size: width 52mm - pressure max. 2.95Bar/43PSI

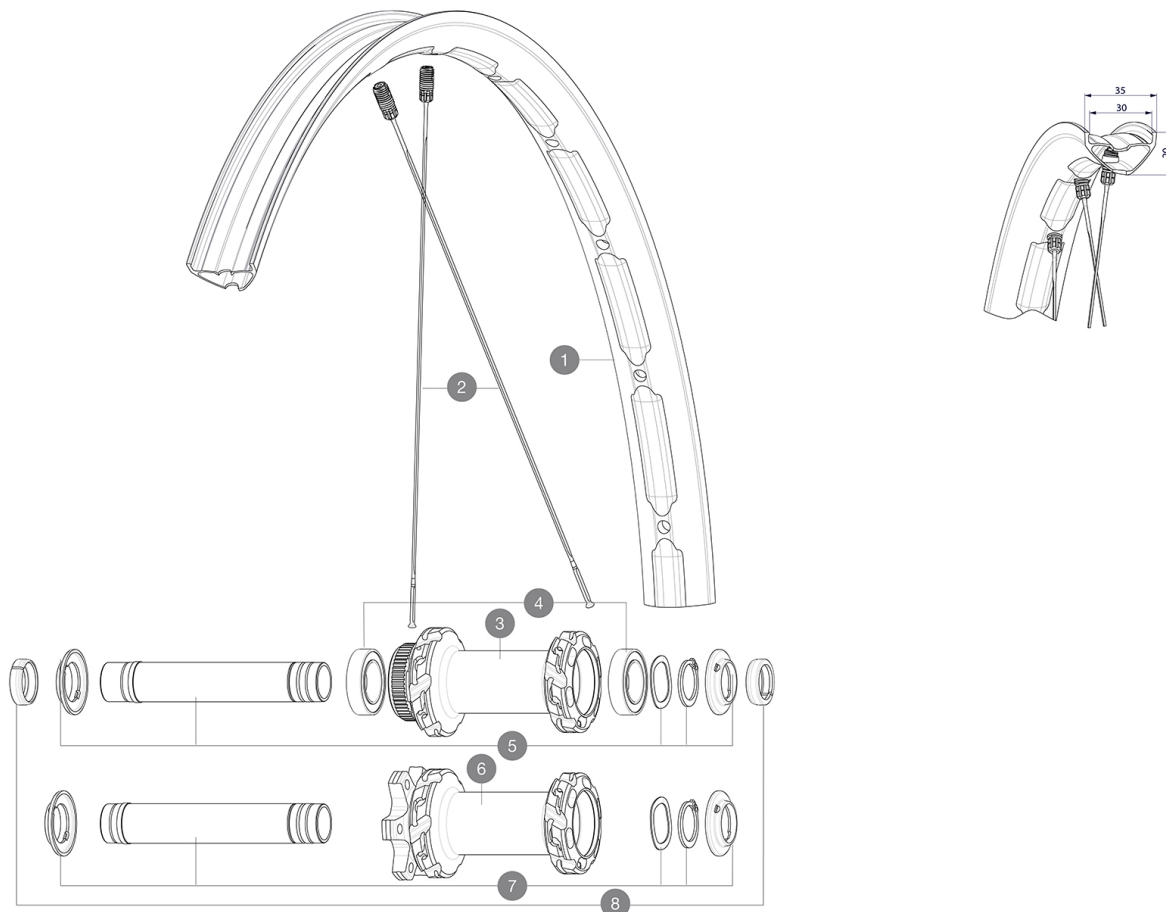
Recommended tyre sizes: 60mm to 76mm (2.35" to 3.0")

Non-Boost : 12 to 9mm rear adapter for quick release (V2510801)

REFERENCES WHEELS

F90493 XMAX XLS INT 29 BST

F91972 XMAX XLS CL 29 BST



RIMS



&NBSP::

1 V3765915 Kit Front/Rear rim Crossmax XLS 29"

SPOKES

2 V2388301 Kit 12 Front/Rear Crossmax SL/SLS/XL/XLS 29" butted spoke 2

HUB SHELLS

3 N/A HUB BODY
4 V2500901 KIT BEARINGS 18x30x7 + WAVED WASHER + CLIP
5 V2375601 Kit 110mm axle QRM auto MTB from 2019 DCL
6 N/A HUB BODY
7 V2372401 KIT 110mm AXLE QRM AUTO MTB > 2019

OPTIONS

V2374401 TORQUE CAPS 15*31 Adapter MTB QRM Auto > 2019 Frt HUB

ADAPTERS

8 V2372501 15mm MTB Axle Cap QRM Auto From 2019
99694101 ADAPTER Ft 15 to 9mm QR

DELIVERED WITH

User guide	
UST valve and accessories (129 838 01)	
UST valve and accessories (129 838 01)	
UST valve and accessories (129 838 01)	
Multifunction adjustment wrench (delivered with rear wheel) (325 423 01)	
Multifunction adjustment wrench (delivered with rear wheel) (325 423 01)	
Multifunction adjustment wrench (delivered with rear wheel) (325 423 01)	
User guide	
UST valve and accessories (129 838 01)	
2 replacement spokes with each wheel	
Multifunction adjustment wrench (delivered with rear wheel) (325 423 01)	
Fore adjustment wrench	
2 replacement spokes with each wheel	
2 replacement spokes with each wheel	
2 replacement spokes with each wheel	
Fore adjustment wrench	

COMPATIBILITY

Freewheel body: convertible SHIMANO HG MTB steel (kit V3790101 sold separately)	
Freewheel body: convertible SHIMANO HG MTB steel (kit V3790101 sold separately)	
Boost 20 to 15mm front adapter ([12982801])	
Front axle: for fixing nuts only (included), M9x1 thread	
Rear axle adapters: 12x148 convertible to 9x141 (kit V2510801 sold separately)	
Rear axle adapters: 12x148 convertible to 9x141 (kit V2510801 sold separately)	
Freewheel: Shimano HG9, XD or Micro Spline	
Freewheel: Shimano HG9, XD or Micro Spline	
Rear axle: 12x148 Boost thru axle	
Rear axle: 12x148 Boost thru axle	
Front axle: 15x110 Boost thru axle	
Front axle: 15x110 Boost thru axle	
Front axle: for fixing nuts only (included), M9x1 thread	
Front axle: convertible from 15mm thru axle to Quick Release with adapters (delivered with non-boost wheel)	

Specifications**RIMS**

- Material : Mxstal
- Material : Mxstal
- Material : Mxstal
- Material : Mxstal
- Material : S6000 Aluminum

WHEEL HUB

- Body : aluminum Infinity Hub
- Body : aluminum Instant Drive 360 QRM Auto

WHEEL WEIGHTS

830