

MAVIC **E-DEEMAX S 30 29**

ASTM CATEGORY 5 : GRAVITY RIDING FOCUSED ON THE DESCENT

Maximum tyre pressure: 2.95bar/43PSI with a 52mm tyre - 1.55bar/22PSI with a 125mm tyre

Minimum tyre size: width 52mm - pressure max. 2.95Bar/43PSI

Recommended tyre sizes: 60mm to 76mm (2.35" to 3.0")

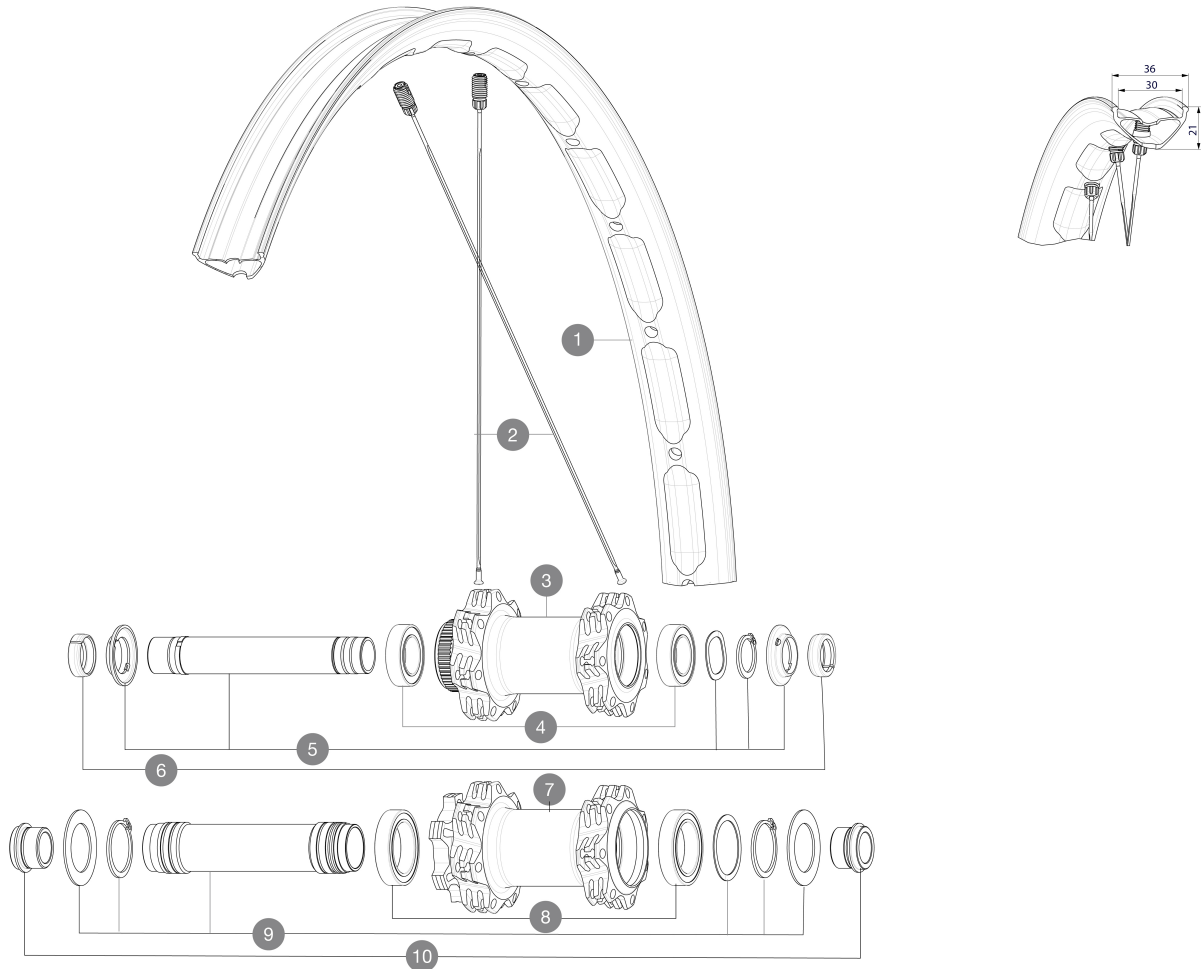
For a longer longevity of the wheel, Mavic recommends that the total weight supported by the wheels doesn't exceed 180kg, E-bike included

For a longer longevity of the wheel, Mavic recommends that the total weight supported by the wheels doesn't exceed 180kg, Ebike included

REFERENCES WHEELS

F91623 E-DEEMAX S 30 INT 29 BST

F91633 E-DEEMAX S 30 CL 29 BST

**RIMS**

&NBSP;:

| | | |
|----------|----------|--|
| 1 | V3766415 | Kit Front/Rear rim eDeemax S 29 |
| | V3750101 | 35mm UST Green Tape for 30mm wide rims |

SPOKES

| | | |
|----------|----------|--|
| 2 | V2388501 | Kit 14 Front eDeemax S 29" butted spoke 306 M7/7 |
|----------|----------|--|

HUB SHELLS

| | | |
|----------|----------|---|
| 3 | N/A | HUB BODY |
| 4 | V2500901 | KIT BEARINGS 18x30x7 + WAVED WASHER + CLIP |
| 5 | V2375601 | Kit 110mm axle QRM auto MTB from 2019 DCL |
| 7 | N/A | HUB BODY |
| 8 | M40179 | FRONT BEARING 25x37x7 20mm AXLE |
| 9 | V2373701 | KIT 20x110mm BOOST AXLE QRM AUTO MTB > 2019 |

OPTIONS

| | |
|----------|---|
| V2650401 | TORQUECAP20*31 FT QRM AUTO MTB |
| V2374401 | TORQUE CAPS 15*31 Adapter MTB QRM Auto > 2019 Frt HUB |

ADAPTERS

| | | |
|-----------|----------|---------------------------------------|
| 6 | V2372501 | 15mm MTB Axle Cap QRM Auto From 2019 |
| 10 | 12982801 | ADAPTER Ft 20 to 15mm |
| | V2680401 | 20x110 BOOST Front Adapter MTB wheels |
| | 99694101 | ADAPTER Ft 15 to 9mm QR |

MAVIC E-DEEMAX S 30 29

DELIVERED WITH

| | |
|---|--|
| UST valve and accessories (129 838 01) | |
| UST valve and accessories (129 838 01) | |
| UST valve and accessories (129 838 01) | |
| Multifunction adjustment wrench (delivered with rear wheel) (325 423 01) | |
| Multifunction adjustment wrench (delivered with rear wheel) (325 423 01) | |
| Multifunction adjustment wrench (delivered with rear wheel) (325 423 01) | |
| User guide | |
| 2 replacement spokes with each wheel | |
| 2 replacement spokes with each wheel | |
| 2 replacement spokes with each wheel | |
| Fore adjustment wrench | |
| Fore adjustment wrench | |

COMPATIBILITY

| | |
|---|--|
| Front axle: 15x110 Boost, convertible to 20x110 Boost thru axle with adapters | |
| Front axle: 15x110 Boost, convertible to 20x110 Boost thru axle with adapters | |
| Rear axle adapters: 12x148 convertible to 9x141 (kit V2510801 sold separately) | |
| Freewheel: Shimano HG9, XD or Micro Spline | |
| Freewheel: Shimano HG9, XD or Micro Spline | |
| Rear axle: 12x148 Boost thru axle | |
| Rear axle: 12x148 Boost thru axle | |
| INT 6-bolt disc version front wheel convertible to 20x110 Boost thru axle with optional adapters | |
| Front axle: convertible from 15mm thru axle to Quick Release with adapters (delivered with non-boost wheel) | |
| Front axle: for fixing nuts only (included), M9x1 thread | |

Specifications

RIMS

- **Material** : Mxstal
- **Material** : Mxstal
- **Material** : Mxstal
- **Material** : S6000 Aluminum
- **Material** : S6000 Aluminum
- **Height** : 22 mm

SUP

SUP

- **Internal width** : 30 mm
- **Weight reduction** : ISM
- **Weight reduction** : ISM

E-Bike specific rim profile

E-Bike specific rim profile

- **Drilling** : Fore tapeless tubeless technology (front/rear 28 holes)

- **Tire** : UST Tubeless and tubetype
- **Tire** : UST Tubeless and tubetype

- **Internal width** : 30 mm

- **Internal width** : 30 mm

Disc brake specific profile

Asymmetrical rim design

- **ETRTO size 29"** : 622x30TC

Down Black Shield treatment (protects your rim against 15 impacts and scratches)

WHEEL HUB

- **Body** : aluminum

Instant Drive 360

QRM Auto

- **Axles** : Front 15X110 Boost ; Rear 12X148 Boost

Hub available with 6-bolt or center lock (R) brake rotors

- **Disc standard** : 6 Bolts or Center Lock

- **Axle material** : aluminum

- **Rear body** : aluminum

- **Axles** : Front 15X110 (Boost) or 15x100 ; Rear

- **Axles** : 12X148 (Boost) or 12x142

- **Freewheel** : Shimano HG MTB / Shimano MS /

Sram XD MTB

- **Freewheel** : FTS-L steel

24 teeth ratchet

Hub available with 6-bolt or center lock (R) brake rotors

- **Axles** : Front 15X110 Boost ; Rear 12X148 Boost

Instant Drive 360

QRM Auto

VERSIONS

- **Disc standard** : 6 Bolts or Center Lock (R)

- **Disc standard** : 6 Bolts or Center Lock (R)

- **Hub width** : Boost only (front 110 ; rear 148)

WHEEL WEIGHTS

960