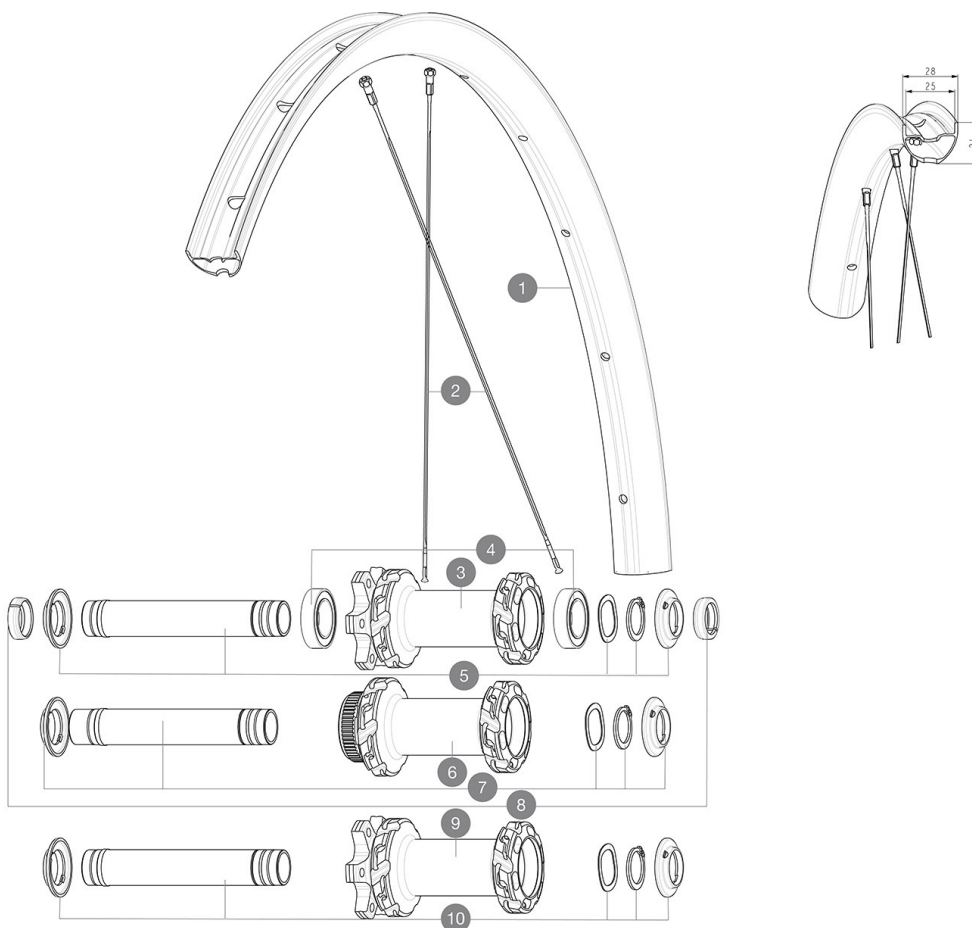


**ASTM CATEGORY 3 : CROSS COUNTRY**

Maximum tyre pressure: 4.1bar/59PSI with a 28mm tyre - 2.45bar/36PSI with a 64mm tyre  
 For a longer longevity of the wheel, Mavic recommends that the total weight supported by the wheels doesn't exceed 150kg, bike included  
 Non-Boost : 12x135 rear axle adapters (V2510901)  
 Recommended tire sizes: 28 to 64 mm (1.1" to 2.5")  
 Boost : Torque Caps for Center Lock hub (V2374401)

**REFERENCES WHEELS**

F92671	CROSSMAX INT 29 BST	F93661	CROSSMAX INT 29
F92681	CROSSMAX CL 29 BST		



**RIMS**



&NBSP;:

<b>1</b>	V3766715	Kit Front/Rear rim Crossmax 22 29"
	V2700101	UST Tape 28mm for 25 to 27mm wide rims

**SPOKES**

<b>2</b>	V2381401	KIT 12 FT/RR BUTTED SPOKES 296mm MTB 29"
----------	----------	--

**HUB SHELLS**

<b>3</b>	N/A	HUB BODY
<b>4</b>	V2500901	KIT BEARINGS 18x30x7 + WAVED WASHER + CLIP
<b>5</b>	V2372401	KIT 110mm AXLE QRM AUTO MTB > 2019
<b>6</b>	N/A	HUB BODY
<b>7</b>	V2375601	Kit 110mm axle QRM auto MTB from 2019 DCL
<b>9</b>	N/A	HUB BODY
<b>10</b>	V2372301	KIT 100mm AXLE QRM AUTO MTB > 2019
	V2374501	KIT 12mm FRT AXLE D6T QRM Auto Allroad 19

**OPTIONS**

V2374401	TORQUE CAPS 15*31 Adapter MTB QRM Auto > 2019 Frt HUB
----------	---

**ADAPTERS**

<b>8</b>	V2372501	15mm MTB Axle Cap QRM Auto From 2019
	99694101	ADAPTER Ft 15 to 9mm QR

# MAVIC CROSSMAX 29

## DELIVERED WITH

User guide	
UST valve and accessories (129 838 01)	
UST valve and accessories (129 838 01)	
Pre-installed tubeless rim tape	
Pre-installed tubeless rim tape	
User guide	
Pre-installed tubeless rim tape	
UST valve and accessories (129 838 01)	
2 replacement spokes with each wheel	
12 to 9mm rear adapter for quick release (V2510801)	
2 replacement spokes with each wheel	
2 replacement spokes with each wheel	

## COMPATIBILITY

Front axle: convertible from 15mm thru axle to Quick Release with adapters (delivered with non-boost wheel)	
Rear axle: 12mm thru axle, convertible to Quick Release with adapters (delivered with non-boost wheel)	
Freewheel body: convertible SHIMANO HG MTB steel (kit V3790101 sold separately)	
Freewheel body: convertible SHIMANO HG MTB steel (kit V3790101 sold separately)	
Front axle adapters: 15x100 convertible to 9x100 (kit 99694101 sold separately)	
Front axle adapters: 15x100 convertible to 9x100 (kit 99694101 sold separately)	
Front axle adapters: 15x110 convertible to 9x110 (kits 99694101 + V2372501 sold separately)	
Front axle adapters: 15x110 convertible to 9x110 (kits 99694101 + V2372501 sold separately)	
Front axle: for fixing nuts only (included), M9x1 thread	
ID360 Sram XD freewheel body (V3740101)	
Rear axle: for fixing nuts only (included), M9x1 thread	
Rear axle adapters: 12x148 convertible to 9x141 (kit V2510801 sold separately)	
Rear axle adapters: 12x148 convertible to 9x141 (kit V2510801 sold separately)	
Instant Drive 360 freewheel technology The new Instant Drive 360 freewheel system is super light and fast to engage with only 9Å°. A large contactless rubber seal provides low friction, while a wide array of end caps makes it super versatile.	
Front axle: for fixing nuts only (included), M9x1 thread	
Rear axle: for fixing nuts only (included), M9x1 thread	
ID360 Sram XD freewheel body (V3740101)	