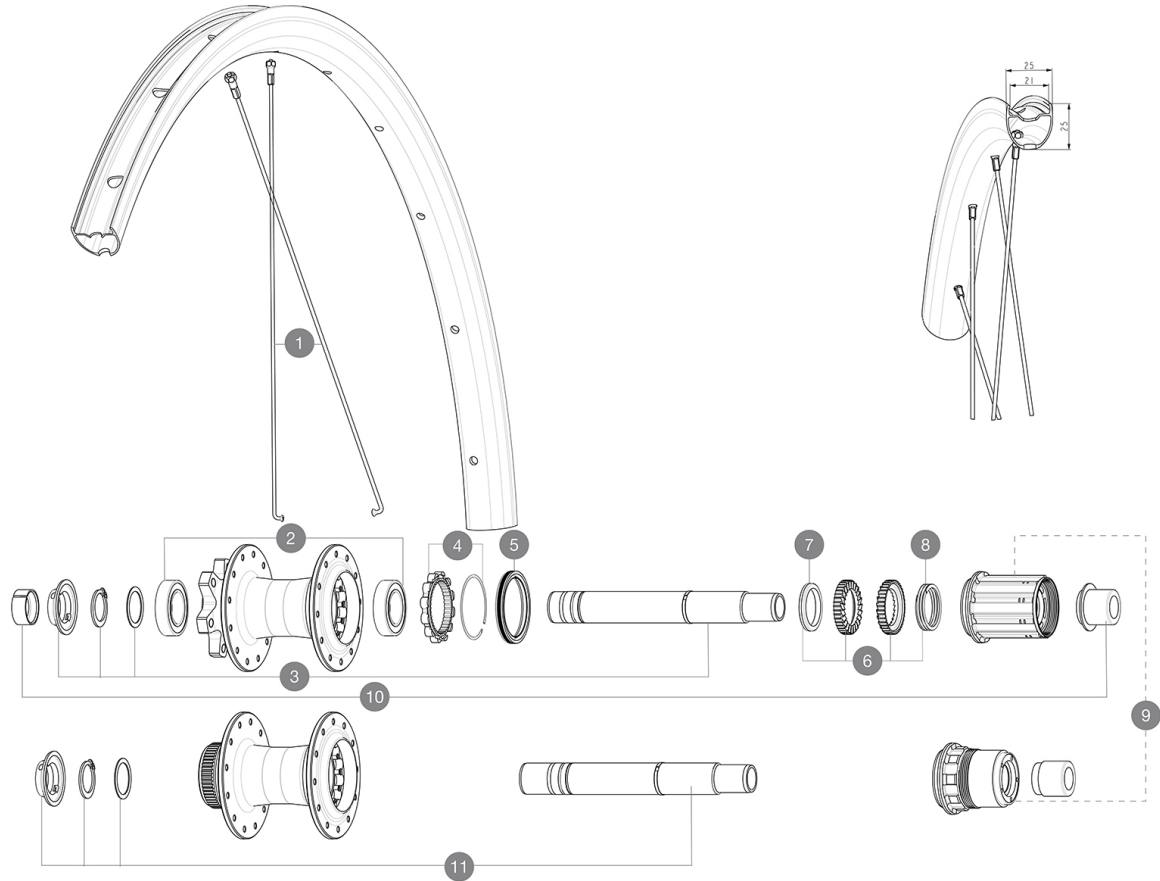


MAVIC AKSIUM 1 DISC

ASTM CATEGORY 2 : road and offroad with jumps less than 15cm
ID360 Shimano steel freewheel body (V3790101)

For a longer longevity of the wheel, Mavic recommends that the total weight supported by the wheels doesn't exceed 120kg, bike included

ID360 N3W freewheel body (V4270101)

REFERENCES WHEELS**SPOKES**

1 V00078331 Kit 12 front/rear Jbent black round spokes 286 + steel nippl

HUB SHELLS

2 M40076 HUB BEARINGS 17x30x7 6903 x 2
3 V2372101 KIT ID360 135/142 D6T AXLE WITH CLIP
4 V2252701 KIT ID360 INSERT SHAPED EAR LOBE > 2017
5 V00063631 Kit ID360 seal version 2 (larger)
6 V2375201 KIT ID360 24 TEETH 2 RATCHET + MTB SPRING + PAD (specific)
7 V2375401 KIT ID360 MTB 24T 3 NOISE REDUCING PADS
8 V2372901 KIT 3 ID360 MTB SPRINGS
9 V3430101 HG11 Freewheel Body ID360
9 V2580101 FREEHUB BODY XD Road ID360
11 V2373401 KIT ID360 135/142 DCL L1 AXLE WITH CLIP

OPTIONS

V2373001 KIT ADJUST. SYSTEM QRM AUTO ID360 for 17x30x7 bearing

ADAPTERS

10 V2510701 ID360V2RrAxleAdapt12x142/148
V2510901 ID360 EVO RrAxleAdpt12x135/150
V2510801 ID360 V2 RrAxleAdapt9x135

MAVIC **AKSIUM 1 DISC****DELIVERED WITH**

User guide	
Pre-installed tubeless rim tape	
User guide	
Pre-installed tubeless rim tape	

COMPATIBILITY

Freewheel body: convertible SHIMANO HG light road (kit V3850101 sold separately)	
Freewheel body: convertible SHIMANO HG light road (kit V3850101 sold separately)	
Freewheel body: convertible SHIMANO MS (kit V3990101 sold separately)	
Freewheel body: convertible SHIMANO MS (kit V3990101 sold separately)	
Freewheel body: convertible CAMPAGNOLO ED (kit V3440101 sold separately)	
Freewheel body: convertible CAMPAGNOLO ED (kit V3440101 sold separately)	
Freewheel body: convertible CAMPAGNOLO N3W (kit V4270101 sold separately)	
Freewheel body: convertible CAMPAGNOLO N3W (kit V4270101 sold separately)	
Rear axle: 12mm thru axle, convertible to Quick Release with adapters (delivered with non-boost wheel)	
FTS-L Shimano / Sram freewheel body ([30871101] - Delivered on the wheel)	
ID360 Shimano steel freewheel body ([V3790101])	
ID360 N3W freewheel body ([V4270101])	

Specifications**RIMS**

- **Material** : S6000 Aluminum
- **Material** : S6000 Aluminum
- **Height** : 21 mm
- **Height** : 21 mm
- **Joint** : sleeved
- **Joint** : sleeved
- **Internal width** : 21 mm
- **Internal width** : 21 mm
- **Drilling** : traditional
- **Drilling** : traditional
- Disc brake specific profile
- Disc brake specific profile
- **ETRTO size** : 622x21TC
- **ETRTO size** : 622x21TC
- **Tire** : clincher
- **Tire** : clincher

SPOKES

- **Material** : steel
- **Material** : steel
- **Count** : 20 front and rear
- **Count** : 20 front and rear

Rear axle: 12mm thru axle, convertible to Quick Release with adapters (delivered with non-boost

WHEEL HUB

- **Body** : aluminum
- **Body** : aluminum
- **Body design** : CLASSIC
- **Body design** : CLASSIC
- **Disc standard** : Center Lock[®] only
- **Disc standard** : Center Lock[®] only
- **Axle material** : aluminum
- **Axle material** : aluminum
- **Axle size** : front 12x100 / rear 12x142 - Convertible to quick release with included adapters
- **Axle size** : front 12x100 / rear 12x142 - Convertible to quick release with included adapters
- **Axles** : Front 15x110 (Boost) or 15x100 ; Rear 12x148 (Boost) or 12x142
- **Axles** : Front 15x110 (Boost) or 15x100 ; Rear 12x148 (Boost) or 12x142
- **Freewheel** : Shimano HG road / Sram XD road
- **Freewheel** : Shimano HG road / Sram XD road
- **Freewheel** : FTS-L steel
- **Freewheel** : FTS-L steel

VERSIONS

- **Freewheel** : Shimano/Sram

WHEEL WEIGHTS