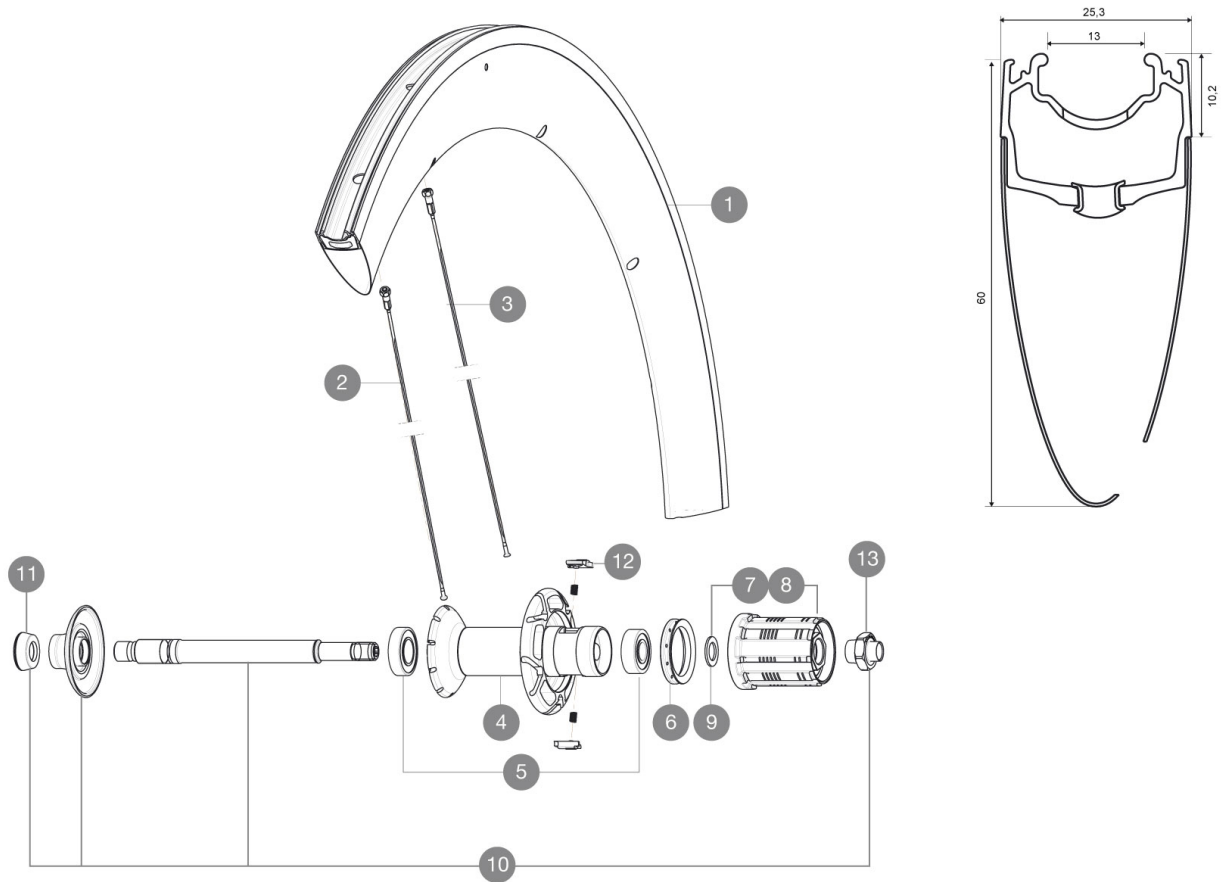


## REFERENCES WHEELS

354677 COSMIC CXR 60 C ED11 WTS

354676 COSMIC CXR 60 C M11 WTS



## RIMS



&NBSP;:

1 V2403813 KIT REAR RIM CXR60C 2016

## SPOKES

2 32976801 KIT 10 AERO FT/NDS CXR 60 C BLK SPOKE 289mm  
3 32976701 KIT 10 AERO DS CXR 60 C BLK SPK 287mm

## HUB SHELLS

4 N/A HUB BODY  
5 33000001 REAR HUB B9+6901 BEARINGS 2013  
6 99500001 FTSL/FTSX FREEHUB BODY SEAL  
7 30871101 FTS-L ROAD FREEWHEEL BODY HG11 8/9 compatible  
8 30871201 FTS-L ROAD FREEWHEEL BODY ED11 8/9 compatible  
9 30872801 SET OF 3 INTERNAL SILVER SPACERS 9mm FTS-L  
10 V2250301 KIT REAR AXLE AERO HUB CXR/CC40/CC SLS/CC SLE/COSMIC PRO CAR  
12 M40578 FTSL PAWLS KIT (ROAD WHEELS)  
13 V2373101 KIT NUT FOR ROAD ALLOY THROUGH AXLE 9mm

## ADAPTERS

11 35117301 FT/RR FORK REST R-SYS/CC ULTIMATE > 2013/KSY PRO CARB T

**MAVIC** *Cosmic CXR 60 C***DELIVERED WITH**

BR601 quick releases	
Rim tape	
Wheelbags	
CXR specific Exalith brake pads	
Valve extender	
Multifunction adjustment wrench	
User guide	

**Specifications****RIMS**

- **Material** : 100% woven 3K carbon fiber
- **Height** : 60 mm, Width 27 mm with CX01 groves
- **Joint** : SUP
- **Drilling** : traditional
- **Brake track** : Exalith 2
- **Weight reduction** : ISM
- **Valve hole diameter** : 6.5 mm
- **Tyre** : clincher
- **ETRTO size** : 622x13C
- **Recommended tyre size** : 23 mm

**SPOKES**

- **Material** : steel
- **Shape** : straight pull, bladed, double butted
- **Nipples** : aluminum, ABS
- **Count** : front 16, rear 20
- **Lacing** : radial front and rear non-drive side, crossed 2 rear drive side

**WHEEL HUB**

- **Front and rear bodies** : carbon center tube and aluminum flanges
- **Axle material** : aluminum
- Adjustable sealed cartridge bearings
- **Freewheel** : FTS-L steel

**WHEEL WEIGHTS**

Wheel weight 1005