

# MAVIC Crossride Light WTS 27.5

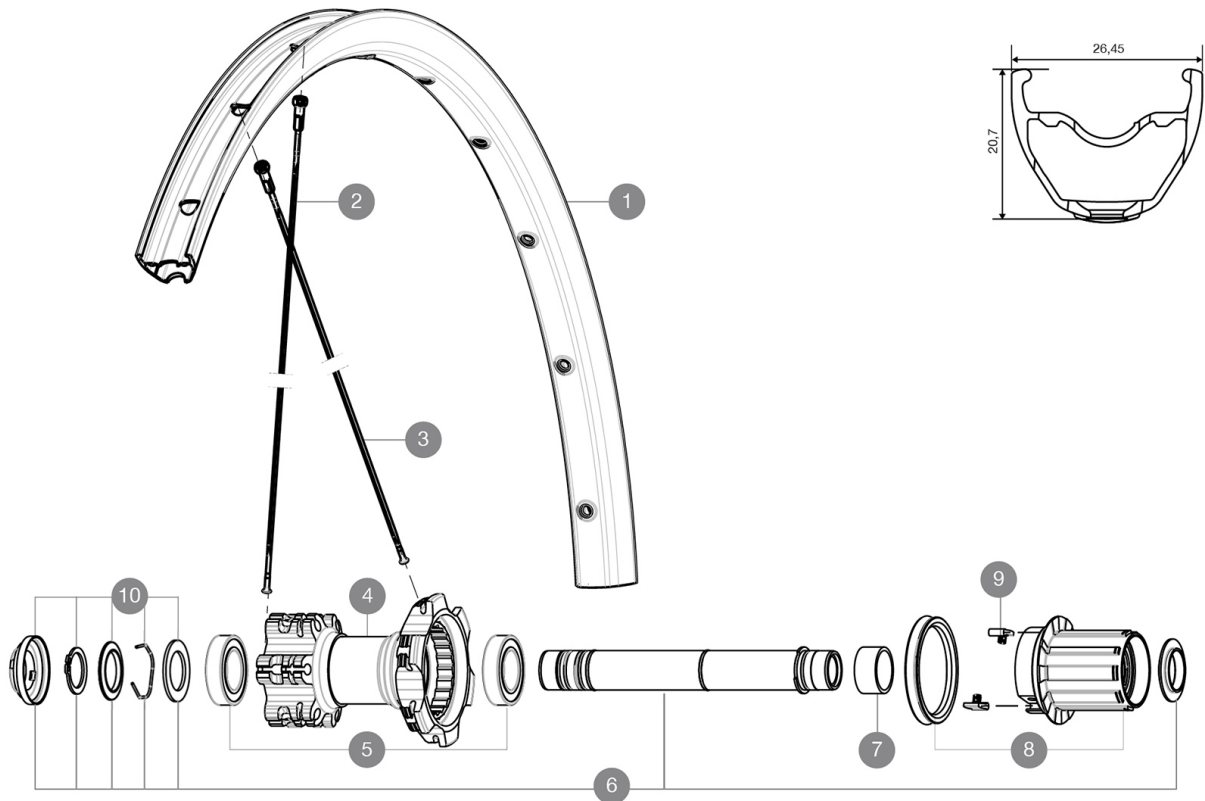
2016  
REAR

ASTM CATEGORY 3 : offroad with jumps less than 61cm  
Recommended weight limit : 120kg

## REFERENCES WHEELS

R99141 XrdLight27.5Rr Boost WTS

R60901 Xride Light27.5Rr WTS



## RIMS



∅ VALVE HOLE (MM): 8,5 WITH POP OFF REDUCER :

**1** V2314515 "KIT FRONT/REAR RIM CROSSRIDE LIGHT 27,5""

## SPOKES


**2** V2381801 KIT 12 FT/NDS XRIDE LIGHT 27,5" SPK 277mm  
**3** V2382001 KIT 12 DS CROSSRIDE LIGHT 27,5" SPOKE 275mm

## HUB SHELLS

**4** N/A HUB BODY  
**5** M40076 HUB BEARINGS 17x30x7 6903 x 2  
**6** V2371201 KIT REAR QRM AXLE 135-142 / BOOST 148mm  
**7** 35124501 SET OF 3 REAR AXLE/FREEWHEEL BODY SPACERS MTB L1  
**8** 35126301 TS-2 FREEWHEEL BODY + SEAL 2013 (NO PAWLS) - while stock las  
**9** 99610601 PAWLS KIT FOR ITS-4 (OR TS-2)  
**10** V2370401 KIT REAR AUTO ADJUSTING PLAY 12mm AXLE

# MAVIC Crossride Light WTS 27.5

## DELIVERED WITH

Rim tape	
Rear 12x142mm adapters	
User guide	
Rear 12x142mm adapters for ITS4 and TS2 (308 593 01 for ITS4, 329 650 01 for TS2) 1	
Rim tape	
User guide	

## COMPATIBILITY

Freewheel: Shimano/Sram, convertible to XD with optional driver body	
Front axle: convertible from 15mm thru axle to Quick Release with optional adapters	
Rear axle: 12mm thru axle, convertible to Quick Release with optional adapters	

## Specifications

### RIMS

- **Joint** : sleeved
- **Drilling** : traditional
- Disc brake specific profile
- **Valve hole diameter** : 8,5 mm with pop off reducer
- **Tyre** : tubetype
- **Internal width** : 21 mm
- **ETRTO size 26"** : 559x21C
- **ETRTO size 27.5"** : 584x21C
- **ETRTO size 29"** : 622x21C
- **Joint** : sleeved
- **Drilling** : traditional
- Disc brake specific profile
- **Valve hole diameter** : 8,5 mm with pop off reducer
- **Tyre** : tubetype
- **Internal width** : 21 mm
- **ETRTO size 26"** : 559x21C
- **ETRTO size 27.5"** : 584x21C
- **ETRTO size 29"** : 622x21C

### SPOKES

- **Material** : steel
- **Shape** : straight pull, bladed, double butted
- **Nipples** : brass, ABS
- **Count** : 24 front and rear
- **Material** : steel
- **Lacing** : front and rear crossed 2
- **Shape** : straight pull, bladed, double butted
- **Nipples** : steel, ABS
- **Count** : 24 front and rear
- **Lacing** : front and rear crossed 2

### WHEEL HUB

- **Freewheel** : TS-2 alloy
- **Front and rear bodies** : aluminum
- **Freewheel** : TS-2 alloy

### VERSIONS

- **Color** : Black only
- **Disc standard** : 6 Bolts only
- **Hub width** : Boost (front 110, rear 148) or Non-Boost (front 100, rear 135/142)

### WHEEL WEIGHTS

- Wheel weight
- Weight Rear 26": 970
- Weight Rear 27.5": 1000
- Weight Rear 29": 1050