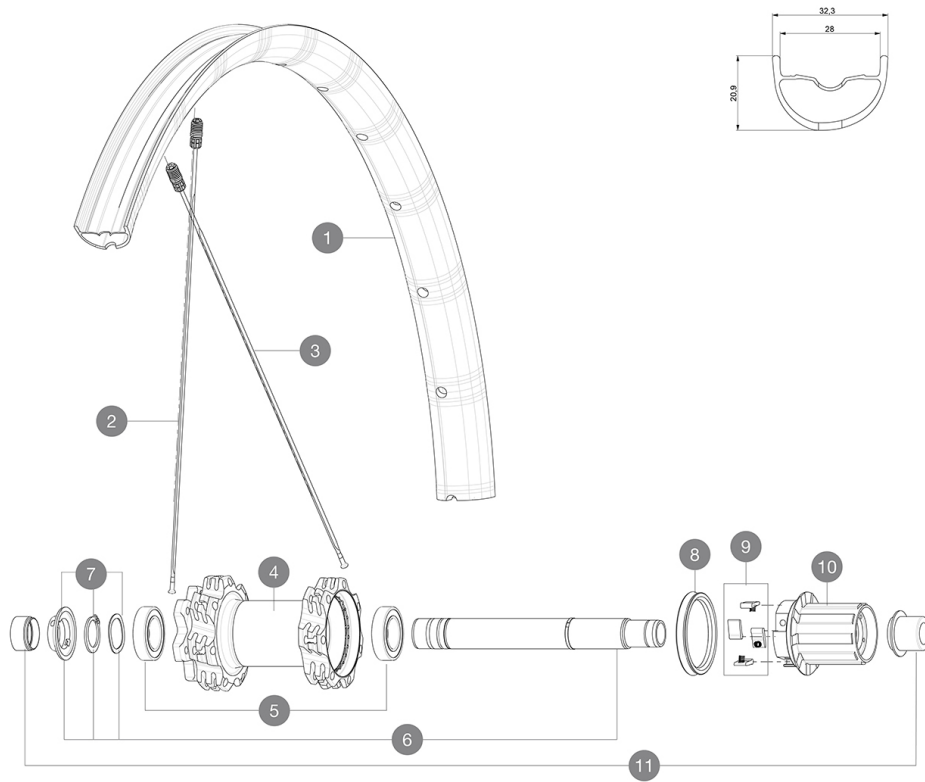


ASTM CATEGORY 5 : GRAVITY RIDING FOCUSED ON THE DESCENT
Recommended tyre sizes: 50mm to 76mm (2.0" to 3.0")

REFERENCES WHEELS

P84751	DmxDH27,518Pr	R17431	DmxDH1827,5Rr
R22731	Dmx DH 18 27,5 Rr XD		



RIMS



&NBSP::

1	V2318913	KIT REAR RIM DEEMAX DH 27,5"
---	----------	------------------------------

SPOKES

2	V2386001	KIT 14 REAR NON DRIVE SIDE FLAT SPOKES 288mm
3	V2385901	KIT 14 REAR DRIVE SIDE FLAT SPOKES 286mm

HUB SHELLS

4	N/A	HUB BODY
5	M40076	HUB BEARINGS 17x30x7 6903 x 2
6	V2371501	KIT AXLE 150/157mm ITS4 QRM AUTO
7	V2373001	KIT ADJUST. SYSTEM QRM AUTO ID360 for 17x30x7 bearing
8	99610701	ITS-4 FREEWHEEL SEAL
9	99610601	PAWLS KIT FOR ITS-4 (OR TS-2)
10	V3610101	HG MTB FREEWHEEL BODY ITS4 QRM AUTO

ADAPTERS

11	V2510701	ID360V2RrAxleAdapt12x142/148
	V2510801	ID360 V2 RrAxleAdapt9x135

MAVIC Deemax DH**DELIVERED WITH**

UST valve and accessories (129 838 01)	
UST valve and accessories (129 838 01)	
Multifunction adjustment wrench (325 423 01)	
Multifunction adjustment wrench (325 423 01)	
User guide	
User guide	

COMPATIBILITY

Freewheel: Shimano/Sram or XD	
Freewheel: Shimano/Sram or XD	
Front axle: 20mm, convertible to 15mm thru axle with optional adapters	
Front axle: 20mm, convertible to 15mm thru axle with optional adapters	
Rear axle : 12x157mm, convertible to 12x150 with optional adapters	
Rear axle : 12x157mm, convertible to 12x150 with optional adapters	
Freewheel: Shimano Micro Spline	

Specifications**RIMS**

- **Material** : Maxtal
 - **Material** : Maxtal
 - **Joint** : SUP
 - **Joint** : SUP
 - **Drilling** : Fore
 - **Drilling** : Fore
 - **Weight reduction** : ISM 4D
 - **Weight reduction** : ISM 4D
 - **Valve hole diameter** : 6.5 mm
 - **Valve hole diameter** : 6.5 mm
 - **Tyre** : UST Tubeless and tubetype
 - **Tyre** : UST Tubeless and tubetype
 - **Internal width** : 28 mm
 - **Internal width** : 28 mm
- Hookless profile
Hookless profile
- **ETRTO size 27.5"** : 584x28TSS
 - **ETRTO size 27.5"** : 584x28TSS

SPOKES

- **Material** : steel
- **Material** : steel
- **Shape** : straight pull, flat rear and flat, double butted front
- **Shape** : straight pull, flat rear and flat, double butted front
- **Nipples** : Fore integrated aluminum
- **Nipples** : Fore integrated aluminum
- **Count** : 28 front and rear
- **Count** : 28 front and rear
- **Lacing** : front and rear crossed 3
- **Lacing** : front and rear crossed 3

WHEEL HUB

- **Front and rear bodies** : aluminum
- **Front and rear bodies** : aluminum
- **Axle material** : aluminum
- **Axle material** : aluminum
- **Front bearings** : adjustable sealed cartridge bearings (QRM+), Rear bearings auto adjust sealed cartridge bearings (QRM Auto)
- **Front bearings** : adjustable sealed cartridge bearings (QRM+), Rear bearings auto adjust sealed cartridge bearings (QRM Auto)
- **Freewheel** : ITS-4 QRM Auto alloy
- **Freewheel** : ITS-4 QRM Auto alloy

VERSIONS

- **Color** : Black only
- **Disc standard** : 6 Bolts only
- **Disc standard** : 6 Bolts only
- **Freewheel** : Shimano/Sram or XD

WHEEL WEIGHTS

1160