

**MAVIC** XA Elite Carb 29

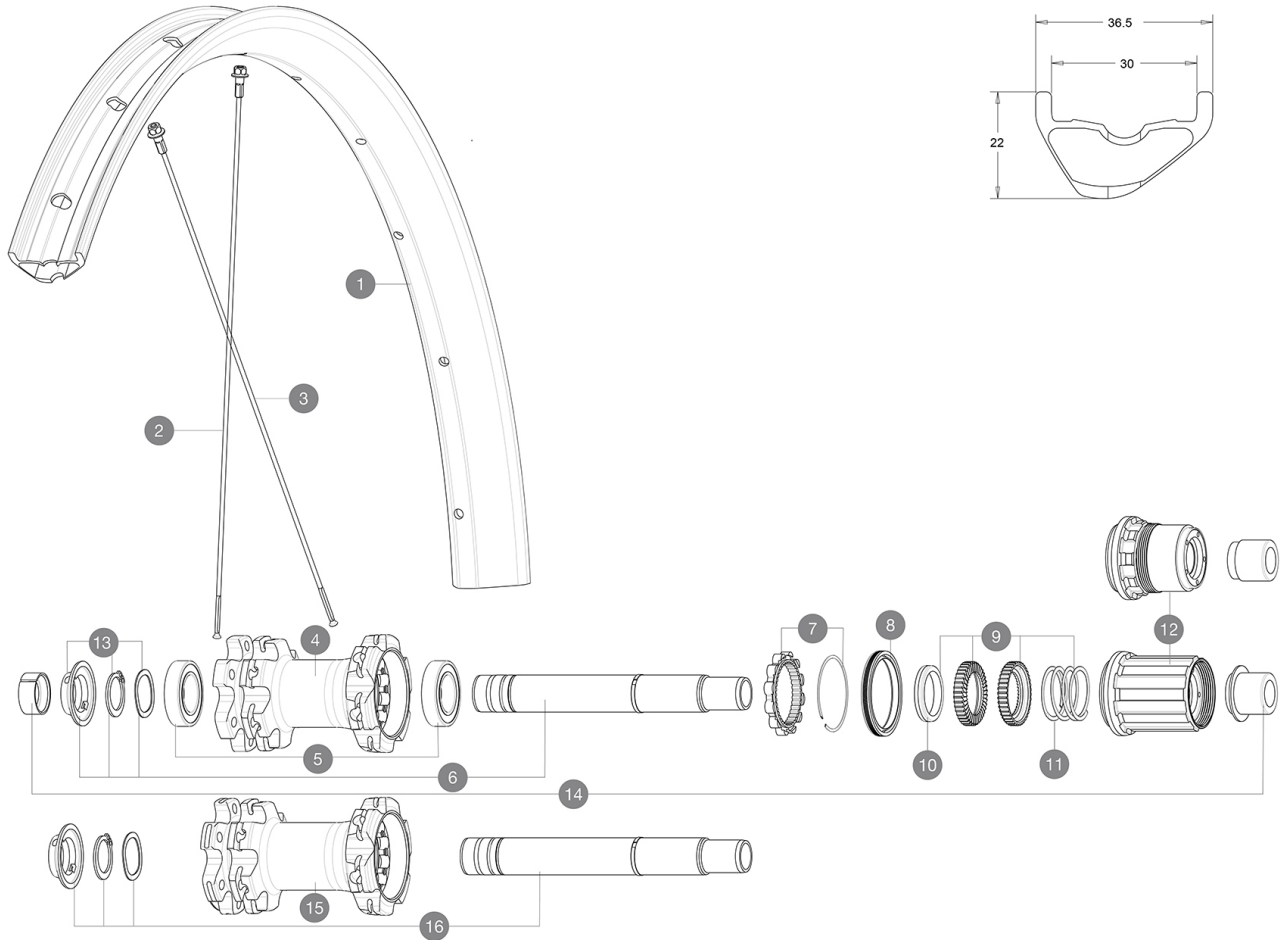
ASTM CATEGORY 3 : CROSS COUNTRY AND TRAIL RIDING

For a longer longevity of the wheel, Mavic recommends that the total weight supported by the wheels don't exceed 120kg, bike included

Recommended tyre sizes: 60mm to 76mm (2.35" to 3.0")

**REFERENCES WHEELS**

|        |                          |        |                                |
|--------|--------------------------|--------|--------------------------------|
| R24191 | XA Elite Carbon 29 Rr    | R24221 | XA Elite Carbon 29 Rr Boost    |
| R24211 | XA Elite Carbon 29 Rr XD | R24231 | XA Elite Carbon 29 Rr Boost XD |

**RIMS**

&amp;NBSP;:

|          |          |  |
|----------|----------|--|
| <b>1</b> | V3761015 | KIT FRT/REAR RIM XA ELITE Carbon 29"   |
|          | V3750101 | 35mm UST Green Tape for 30mm wide rims |

**SPOKES**

|          |          |  |
|----------|----------|--|
| <b>2</b> | V2276401 | KIT 12 DS AKSIUM DISC ALLR 700 9 SPK 295mm |
| <b>3</b> | V2279201 | KIT 12 DS AKSIUM DISC 12mm RND SPK 292mm   |

**HUB SHELLS**



|           |          |  |
|-----------|----------|--|
| <b>4</b>  | N/A      | HUB BODY   |
| <b>5</b>  | M40076   | HUB BEARINGS 17x30x7 6903 x 2                              |
| <b>6</b>  | V2372101 | KIT ID360 135/142 D6T AXLE WITH CLIP                       |
| <b>7</b>  | V2252701 | KIT ID360 INSERT SHAPED EAR LOBE > 2017                    |
| <b>8</b>  | V2251601 | KIT ID360 SEAL + GREASE                                    |
| <b>9</b>  | V2375201 | KIT ID360 24 TEETH 2 RATCHET + MTB SPRING + PAD (specific) |
| <b>10</b> | V2375401 | KIT ID360 MTB 24T 3 NOISE REDUCING PADS                    |
| <b>11</b> | V2372901 | KIT 3 ID360 MTB SPRINGS                                    |
| <b>12</b> | V3740101 | XD MTB Freewheel Body ID360                                |
| <b>12</b> | V3780101 | HG9 Alloy MTB Freewheel Body ID360                         |
| <b>13</b> | V2373001 | KIT ADJUST. SYSTEM QRM AUTO ID360 for 17x30x7 bearing      |
| <b>15</b> | N/A      | HUB BODY   |
| <b>16</b> | V2372201 | KIT ID360 148 D6T AXLE WITH CLIP                           |

**ADAPTERS**

|           |          |                              |
|-----------|----------|------------------------------|
| <b>14</b> | V2510701 | ID360V2RrAxleAdapt12x142/148 |
|           | V2510801 | ID360 V2 RrAxleAdapt9x135    |

# MAVIC XA Elite Carb 29

## DELIVERED WITH

|   |   |
|---|---|
| UST valve and accessories<br>(129 838 01)       |  |
| UST valve and accessories<br>(129 838 01)       |  |
| Tubeless rim tape                               |   |
| Tubeless rim tape                               |   |
| Multifunction adjustment wrench<br>(325 423 01) |   |
| Multifunction adjustment wrench<br>(325 423 01) |   |
| User guide                                      |   |
| User guide                                      |   |

## COMPATIBILITY

|   |  |
|---|--|
| Freewheel: Shimano/Sram or XD   |  |
| Freewheel: Shimano/Sram or XD   |  |
| Front axle: convertible from 15mm thru axle to Quick Release with adapters (delivered with non-boost wheel) |  |
| Front axle: convertible from 15mm thru axle to Quick Release with adapters (delivered with non-boost wheel) |  |
| Rear axle: 12mm thru axle, convertible to Quick Release with adapters (delivered with non-boost wheel)      |  |
| Rear axle: 12mm thru axle, convertible to Quick Release with adapters (delivered with non-boost wheel)      |  |
| Freewheel: Shimano Micro Spline   |  |
| Freewheel: Shimano Micro Spline   |  |

## Specifications

### RIMS

- **Material** : 100% Unidirectional carbon fiber
- **Material** : 100% carbon fiber
- **Drilling** : traditional
- **Drilling** : traditional
- **Valve hole diameter** : 6.5 mm
- **Valve hole diameter** : 6.5 mm
- **Tyre** : UST Tubeless and tubetype
- **Tyre** : UST Tubeless and tubetype
- **Internal width** : 30 mm
- **Internal width** : 30 mm

Hookless profile

Hookless profile

Use with Mavic Tubeless Tape

Use with Mavic Tubeless Tape

- **ETRTO size 27.5"** : 584x30TSS
- **ETRTO size 27.5"** : 584x30TSS
- **ETRTO size 29"** : 622x30TSS
- **ETRTO size 29"** : 622x30TSS

### SPOKES

- **Material** : steel
- **Material** : steel
- **Shape** : straight pull, round
- **Shape** : straight pull, round
- **Count** : 24 front and rear
- **Count** : 24 front and rear
- **Lacing** : front and rear crossed 2
- **Lacing** : front and rear crossed 2

### WHEEL HUB

- **Front and rear bodies** : aluminum
  - **Front and rear bodies** : aluminum
  - **Axle material** : aluminum
  - **Axle material** : aluminum
- Auto adjust sealed cartridge bearings (QR Auto), front and rear
- Auto adjust sealed cartridge bearings (QR Auto), front and rear
- **Freewheel** : Instant Drive 360
  - **Freewheel** : Instant Drive 360

### VERSIONS

- **Color** : Black only
- **Disc standard** : 6 Bolts only
- **Disc standard** : 6 Bolts only
- **Hub width** : Boost (front 110, rear 148) or Non-Boost (front 100, rear 135/142)
- **Hub width** : Boost (front 110, rear 148) or Non-Boost (front 100, rear 135/142)
- **Freewheel** : Shimano/Sram or XD
- **Freewheel** : Shimano/Sram or XD

### WHEEL WEIGHTS