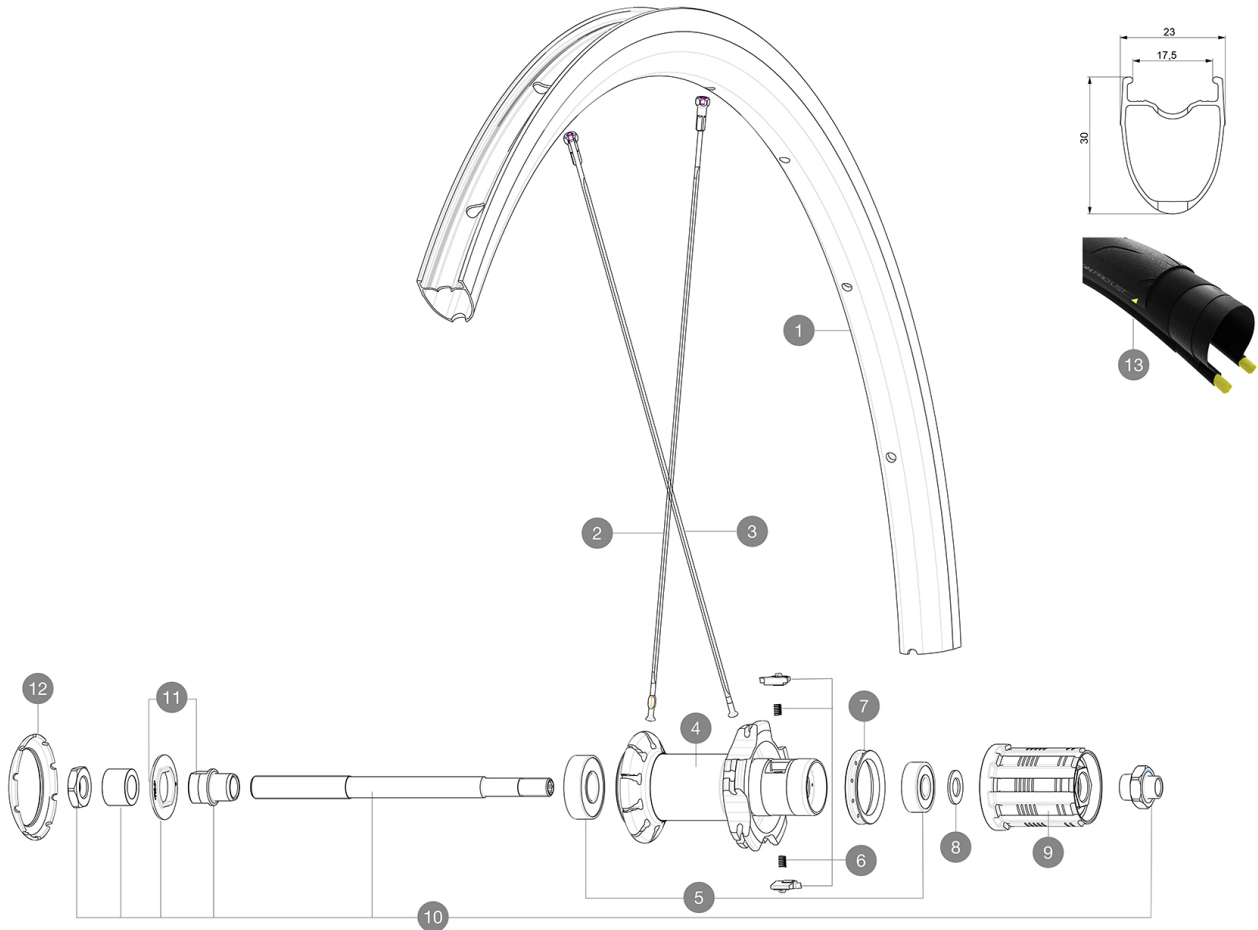


ASTM CATEGORY 2 : road and offroad with jumps less than 15cm  
 For a longer longevity of the wheel, Mavic recommends that the total weight supported by the wheels don't exceed 120kg, bike included  
 Recommended tyre sizes: 25 to 32 mm  
 Max. Pressure: see indication on wheel and tyre. If they differ, use the lower of the 2

## REFERENCES WHEELS

R33611 Cosmic Elite UST 20 Rr



## RIMS



&NBSP;:

1	V2732615 V2900101	KIT FRONT/REAR RIM COSMIC ELITE UST 23mm UST Tape For 17 to 18 Wide Road Rims
---	----------------------	--

## SPOKES

2	V2739215	Kit 10 Frt/Rear non drive side Cosmic Elite UST 20 butted sp
3	V3660101	KIT 10 DS COSMIC ELITE UST BUTTED SPOKE 292mm


## HUB SHELLS

4	N/A	HUB BODY
5	M40660	REAR HUB 608+6001 BEARINGS
6	M40578	FTSL PAWLS KIT (ROAD WHEELS)
7	99500001	FTSL/FTSX FREEHUB BODY SEAL
8	30872801	SET OF 3 INTERNAL SILVER SPACERS 9mm FTS-L
9	30871101	FTS-L ROAD FREEWHEEL BODY HG11 8/9 compatible
10	99603901	REAR AXLE QRM ROAD 2008
11	99603801	SHORT EXPENSIBLE BEARING SUPPORTS > 2008
12	12034401	KIT 3 HUB CAPS AERO 10 SLOTS BLACK

# MAVIC Cosmic Elite UST

2020  
REAR

## DELIVERED WITH

Mavic tyre sealant (rear wheel) (355 466 01)	
Tyre sealant syringe	
BR101 quick releases (M40350 frt, M40351 rear road, M40352 rear MTB)	
UST valve and accessories (129 838 01)	
Tubeless rim tape	
User guide	

## COMPATIBILITY

Freewheel: Shimano/Sram, convertible to Campagnolo with optional driver body	
Front axle: Quick Release only	
Rear axle: Quick Release only	

## Specifications

### RIMS

- **Material** : S6000 Aluminum
  - **Height** : 30 mm
  - **Joint** : SUP
  - **Drilling** : traditional
  - **Brake track** : UB Control
  - **Valve hole diameter** : 6.5 mm
  - **Tyre** : UST Tubeless and tubetype
  - **Internal width** : 17 mm
  - **ETRTO size** : 622x17TC ROAD
- Use with Mavic Tubeless Tape

### SPOKES

- **Material** : steel
- **Shape** : straight pull, flat
- **Nipples** : steel, ABS
- **Count** : 20 front and rear
- **Lacing** : radial front and rear non-drive side, crossed 2 rear drive side

### WHEEL HUB

- **Front and rear bodies** : aluminum
  - **Axle material** : steel
- Sealed cartridge bearings (QRM)
- **Freewheel** : FTS-L steel

### VERSIONS

- **Color** : Black only

### WHEEL WEIGHTS

955